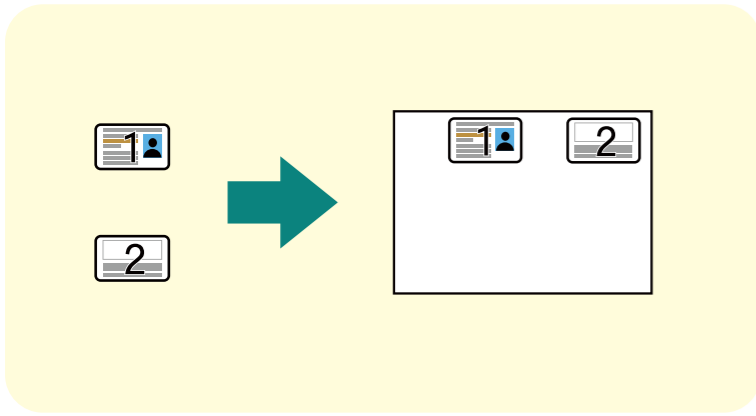
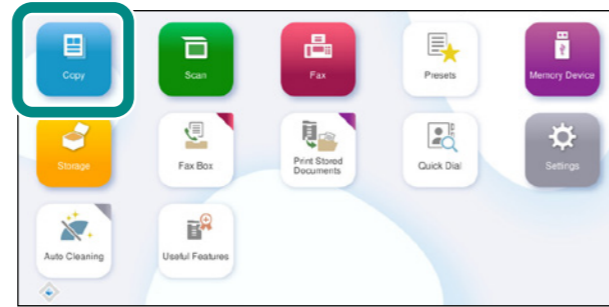


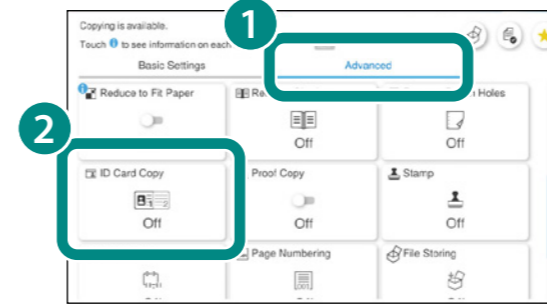
# Copying ID Cards



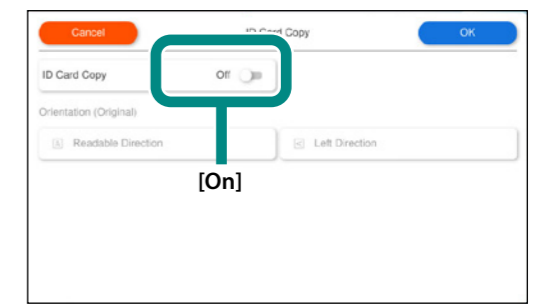
**1** [Copy]



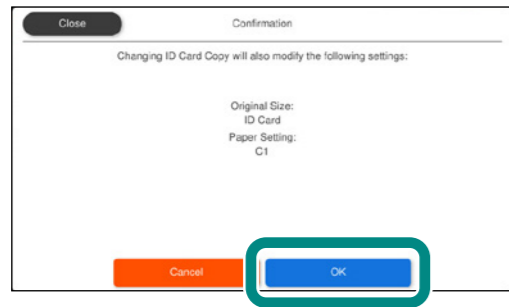
**2** [Advanced] > [ID Card Copy]



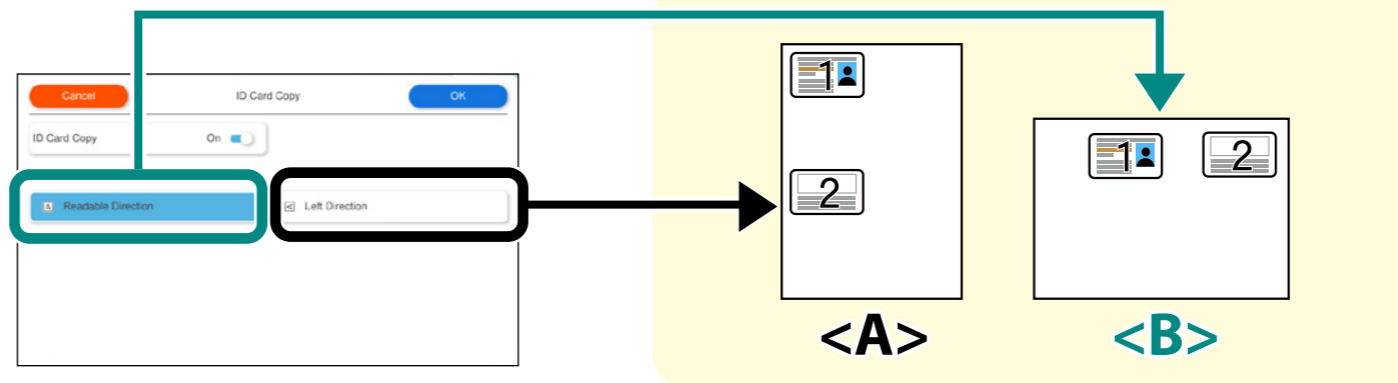
**3**



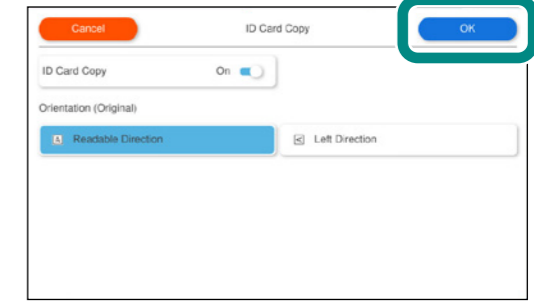
**4**



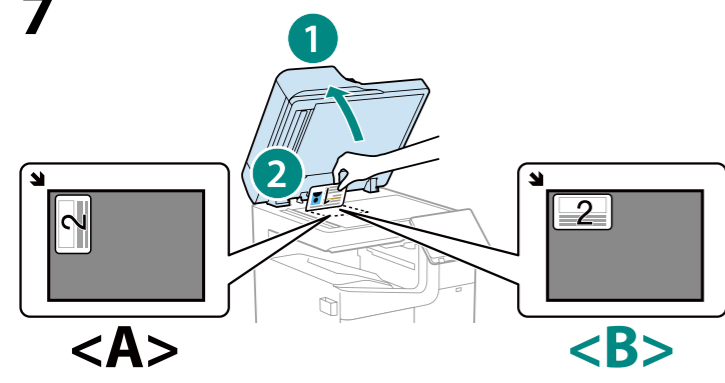
**5**



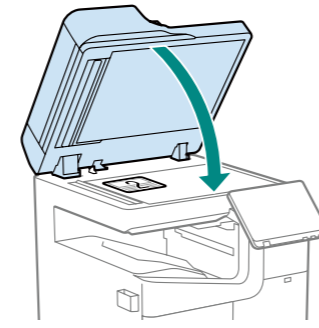
**6**



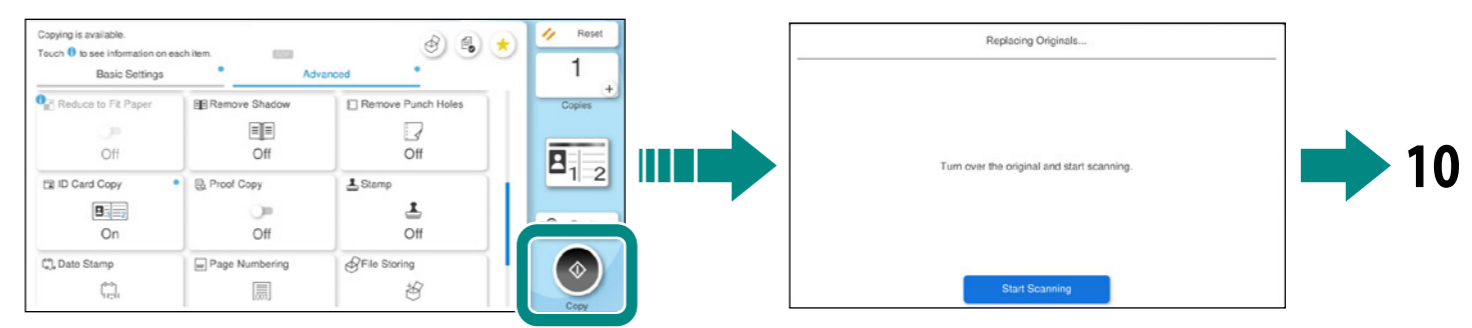
**7**



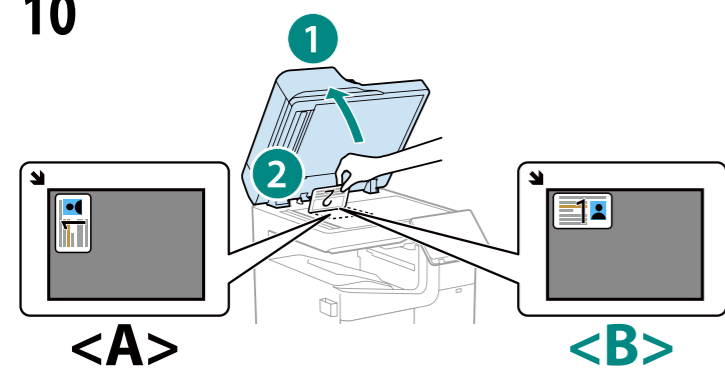
**8**



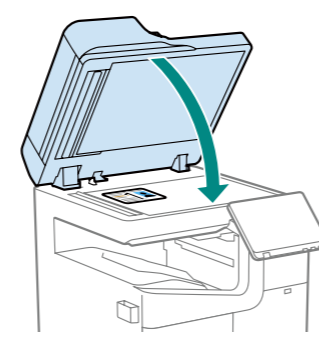
**9**



**10**



**11**



**12** [Start Scanning]

