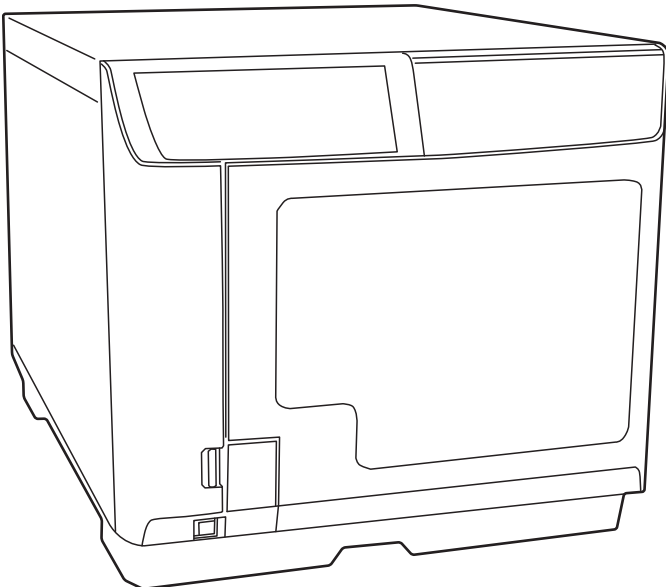


PP-100II

Disc Limit Tool User's Guide

Disc producer



Caution

No part of this publication may be reproduced, stored in a retrieval system, or transmitted in any form or by any means, electronic, mechanical, photocopying, recording, or otherwise, without the prior written permission of Seiko Epson Corporation. No patent liability is assumed with respect to the use of the information contained herein. While every precaution has been taken in the preparation of this book, Seiko Epson Corporation assumes no responsibility for errors or omissions. Neither is any liability assumed for damages resulting from the use of the information contained herein.

Neither Seiko Epson Corporation nor its affiliates shall be liable to the purchaser of this product or third parties for damages, losses, costs, or expenses incurred by purchaser or third parties as a result of: accident, misuse, or abuse of this product or unauthorized modifications, repairs, or alterations to this product, or (excluding the U.S.) failure to strictly comply with Seiko Epson Corporation's operating and maintenance instructions.

Seiko Epson Corporation shall not be liable against any damages or problems arising from the use of any options or any consumable products other than those designated as Original Epson Products or Epson Approved Products by Seiko Epson Corporation.

NOTICE: The contents of this manual are subject to change without notice.

© 2014 Seiko Epson Corporation. All rights reserved.

Trademarks

Microsoft, Windows, Windows Vista, and Windows Server are registered trademarks of Microsoft Corporation in the United States and/or other countries.

Intel and Pentium are registered trademarks of Intel Corporation.

EPSON is a registered trademark of Seiko Epson Corporation.

Exceed Your Vision and Discproducer are registered trademarks or trademarks of Seiko Epson Corporation.

All other trademarks are the property of their respective owners and used for identification purpose only.

Marks Used in this Guide

The following marks are used in this guide to indicate important information.



Indicates information with which you must comply when using this product. Ignoring this information and mishandling the product may cause it to fail or malfunction.

Notes

Indicates an additional explanation or information we want you to know.

Screens Appearing in this Guide

The Windows screens appearing in this guide are Windows 8 screens.

About this Software

PP-100II Disc Limit Tool is software to limit writing with EPSON Total Disc Maker (software included with the PP-100II) onto only the types of discs you specify.

- Up to 5 types for each CD/DVD/BD can be specified as writable discs.
- If you issue a job to write on a disc other than specified ones when the setting is enabled, a disc type error occurs and the job pauses.

Software Operating Requirements

The minimum hardware and software requirements for using this software are shown below.

Operating System		<ul style="list-style-type: none"> • Windows 8.1 (32 bit/64 bit) • Windows 8.1 Pro (32 bit/64 bit) • Windows 8 (32 bit/64 bit) • Windows 8 Pro (32 bit/64 bit) • Windows 7 (32 bit/64 bit SP1 or later) <ul style="list-style-type: none"> * Home Premium/Professional/Enterprise/Ultimate • Windows Vista (32 bit/64 bit SP2 or later) <ul style="list-style-type: none"> * Home Basic/Home Premium/Business/Enterprise/Ultimate • Windows XP (32 bit SP3 or later) <ul style="list-style-type: none"> * Home Edition/Professional • Windows Server 2012 R2 (64 bit) <ul style="list-style-type: none"> * Standard/Essentials • Windows Server 2012 (64 bit) <ul style="list-style-type: none"> * Standard/Essentials • Windows Server 2008 R2 (64 bit SP1) <ul style="list-style-type: none"> * Standard/Enterprise • Windows Server 2008 (32 bit/64 bit SP2 or later) <ul style="list-style-type: none"> * Standard/Enterprise • Windows Server 2003 R2 (32 bit SP2 or later) <ul style="list-style-type: none"> * Standard/Enterprise • Windows Server 2003 (32 bit SP2 or later) <ul style="list-style-type: none"> * Standard/Enterprise
CPU	Windows 8.1 Windows 8 Windows 7 Windows Vista Windows XP Windows Server 2003 R2 Windows Server 2003	<ul style="list-style-type: none"> • When DVD drives are installed: Intel Pentium 4 (or compatible processor) 1.4 GHz or faster processor • When BD drives are installed: Core DuoT2700/Core2Duo E6300 or faster processor (or compatible processor)
	Windows Server 2012 R2 Windows Server 2012 Windows Server 2008 R2 Windows Server 2008	<ul style="list-style-type: none"> • When DVD drives are installed: Intel Pentium 4 (or compatible processor) 2.0 GHz or faster processor • When BD drives are installed: Core DuoT2700/Core2Duo E6300 or faster processor (or compatible processor)

Memory	Windows 8.1 64 bit Windows 8 64 bit Windows 7 64 bit Windows Server 2012 R2 Windows Server 2012 Windows Server 2008 R2 Windows Server 2008	2 GB or more
	Windows 8.1 32 bit Windows 8 32 bit Windows 7 32 bit Windows Vista	1GB or more
	Windows XP Windows Server 2003 R2 Windows Server 2003	<ul style="list-style-type: none"> • When DVD drives are installed: 512 MB or more • When BD drives are installed: 1 GB or more
HDD available space	Windows 8.1 64 bit Windows 8 64 bit Windows 7 64 bit	<ul style="list-style-type: none"> • When DVD drives are installed: 30 GB or more • When BD drives are installed: 100 GB or more
	Windows 8.1 32 bit Windows 8 32 bit Windows 7 32 bit	<ul style="list-style-type: none"> • When DVD drives are installed: 26 GB or more • When BD drives are installed: 100 GB or more
	Windows Vista	<ul style="list-style-type: none"> • When DVD drives are installed: 25 GB or more • When BD drives are installed: 100 GB or more
	Windows XP	<ul style="list-style-type: none"> • When DVD drives are installed: 10 GB or more • When BD drives are installed: 100 GB or more
	Windows Server 2012 R2 Windows Server 2012	170 GB or more
	Windows Server 2008 R2 Windows Server 2008	<ul style="list-style-type: none"> • When DVD drives are installed: 50 GB or more • When BD drives are installed: 100 GB or more
	Windows Server 2003 R2 Windows Server 2003	<ul style="list-style-type: none"> • When DVD drives are installed: 12.9GB or more • When BD drives are installed: 100 GB or more
HDD rotation speed		7200 rpm or more
Display		XGA (1024 x 768 pixels) or higher 65,536 colors or more
Interface		USB 3.0 or USB 2.0 <ul style="list-style-type: none"> • Compatible with USB 2.0 or USB 3.0 standard • Ensure Super-Speed USB or Hi-Speed USB performance
Software		The following software must be installed. <ul style="list-style-type: none"> • Windows Media Player 6.4 or later • EPSON Total Disc Maker Ver 6.0 or later
Other		Making music CD: Requires sound device with appropriate driver installed.

How to Start the Tool

Double-click on **DiscLimit.exe** file to start the tool.

EPSON Disc Limit Tool Ver.1.00

CD

Enable writable disc specification.

	Disc ID	Last Possible Start Time of LeadOut
CD1	<input type="text"/>	<input type="text"/>
CD2	<input type="text"/>	<input type="text"/>
CD3	<input type="text"/>	<input type="text"/>
CD4	<input type="text"/>	<input type="text"/>
CD5	<input type="text"/>	<input type="text"/>

BD

Enable writable disc specification.

	Manufacturer ID	Media Type ID
BD1	<input type="text"/>	<input type="text"/>
BD2	<input type="text"/>	<input type="text"/>
BD3	<input type="text"/>	<input type="text"/>
BD4	<input type="text"/>	<input type="text"/>
BD5	<input type="text"/>	<input type="text"/>

DVD

Enable writable disc specification.

	Manufacturer ID	Media Type ID
DVD1	<input type="text"/>	<input type="text"/>
DVD2	<input type="text"/>	<input type="text"/>
DVD3	<input type="text"/>	<input type="text"/>
DVD4	<input type="text"/>	<input type="text"/>
DVD5	<input type="text"/>	<input type="text"/>

Data management

Information can be imported from a disc.

Setting information can be managed with a file.



Log on the PC with a “computer administrator” account (user who has administrator authority). The tool cannot be started if you log on without administrator authority.

Notes

When the **User Account Control** screen is displayed, click **Allow**. When asked for an administrator password, enter the password to proceed with operation.

How to Set

Disc information is required to specify writable discs. There are two methods to specify discs, depending on the reading methods of disc information.

❑ Read from a drive

Reads information of a disc loaded in a drive to specify it as a writable disc.

 [Read from a drive \(page 6\)](#)

❑ Read from a setting file

Reads disc information from a setting file created in advance to specify writable discs. You can specify even more than one as writable discs at the same time.

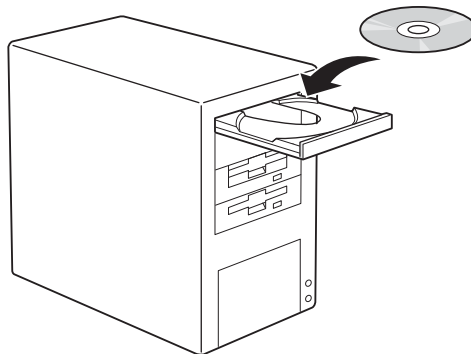
 [Read from a setting file \(page 8\)](#)


Read from a drive

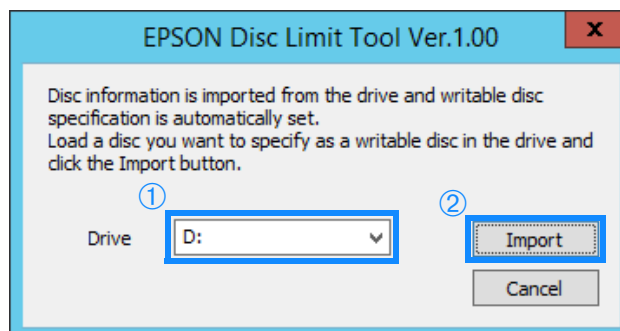
Follow the steps below to specify a disc loaded on a drive as a writable disc.

To specify more than one disc, repeat steps 1 to 6 for each disc.

- 1 Load a blank disc you want to specify as a writable type of disc in the drive of the PC.



- 2 Start the tool.
 [How to Start the Tool \(page 5\)](#)
- 3 Click **Import**.
- 4 Select the drive in which the disc is loaded, and then click **Import**.



- 5 After the disc information is displayed, confirm that the checkbox for **Enable writable disc specification.** is checked, and then click **Apply**.

EPSON Disc Limit Tool Ver.1.00

CD

Enable writable disc specification.

	Disc ID	Last Possible Start Time of LeadOut
CD1	97m24s01f	79m59s72f
CD2		
CD3		
CD4		
CD5		

BD

Enable writable disc specification.

	Manufacturer ID	Media Type ID
BD1		
BD2		
BD3		
BD4		
BD5		

DVD

Enable writable disc specification.

	Manufacturer ID	Media Type ID
DVD1		
DVD2		
DVD3		
DVD4		
DVD5		

Data management

Information can be imported from a disc.

Import

Setting information can be managed with a file.

Read a file

Export a file

Apply

Cancel

- 6 Click **OK**.

EPSON Disc Limit Tool Ver.1.00

?

Performs writable disc specification with the entered information and shuts down the program.

OK

Cancel

The setting is now complete.

Notes Clicking **Export a file** after the setting is complete exports a setting file.

Read from a setting file

Follow the steps below to specify writable discs by reading a setting file.

- 1 Prepare a setting file.

Notes Clicking **Export a file** after specifying a disc loaded on a drive as a writable disc (☞ "Read from a drive" on page 6) is complete creates a setting file.

- 2 Start the tool.
☞ [How to Start the Tool \(page 5\)](#)
- 3 Click **Read a file**, and then open the setting file.
- 4 After the disc information is displayed, confirm that the checkbox for **Enable writable disc specification** is checked, and then click **Apply**.

EPSON Disc Limit Tool Ver.1.00

CD

Enable writable disc specification.

	Disc ID	Last Possible Start Time of LeadOut
CD1	97m24s01f	79m59s72f
CD2		
CD3		
CD4		
CD5		

DVD

Enable writable disc specification.

	Manufacturer ID	Media Type ID
DVD1		
DVD2		
DVD3		
DVD4		
DVD5		

BD

Enable writable disc specification.

	Manufacturer ID	Media Type ID
BD1		
BD2		
BD3		
BD4		
BD5		

Data management
Information can be imported from a disc.

Import

Setting information can be managed with a file.

Read a file Export a file

Apply Cancel

- 5 Click **OK**.

EPSON Disc Limit Tool Ver.1.00

? Performs writable disc specification with the entered information and shuts down the program.

OK Cancel

The setting is now complete.

How to Disable the Setting

Follow the steps below to disable the specification for writable discs.

1 Start the tool.

[📄 How to Start the Tool \(page 5\)](#)

2 Uncheck the checkbox for **Enable writable disc specification**, and then click **Apply**.

EPSON Disc Limit Tool Ver.1.00

① CD

Enable writable disc specification.

	Disc ID	Last Possible Start Time of LeadOut
CD1	97m24s01f	79m59s72f
CD2		
CD3		
CD4		
CD5		

BD

Enable writable disc specification.

	Manufacturer ID	Media Type ID
BD1		
BD2		
BD3		
BD4		
BD5		

DVD

Enable writable disc specification.

	Manufacturer ID	Media Type ID
DVD1		
DVD2		
DVD3		
DVD4		
DVD5		

Data management

Information can be imported from a disc.

Import

Setting information can be managed with a file.

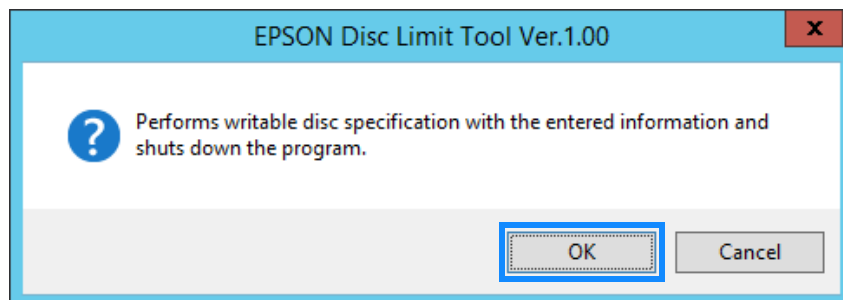
Read a file

Export a file

② Apply

Cancel

3 Click **OK**.



The setting is now disabled.

Notes

- After the setting is disabled, checking the checkbox for **Enable writable disc specification** enables the setting again.
- To delete the setting information, with the [Select the file and then execute.] command, select DiscLimit.exe, input " (space)/r" after the file name, and execute it.