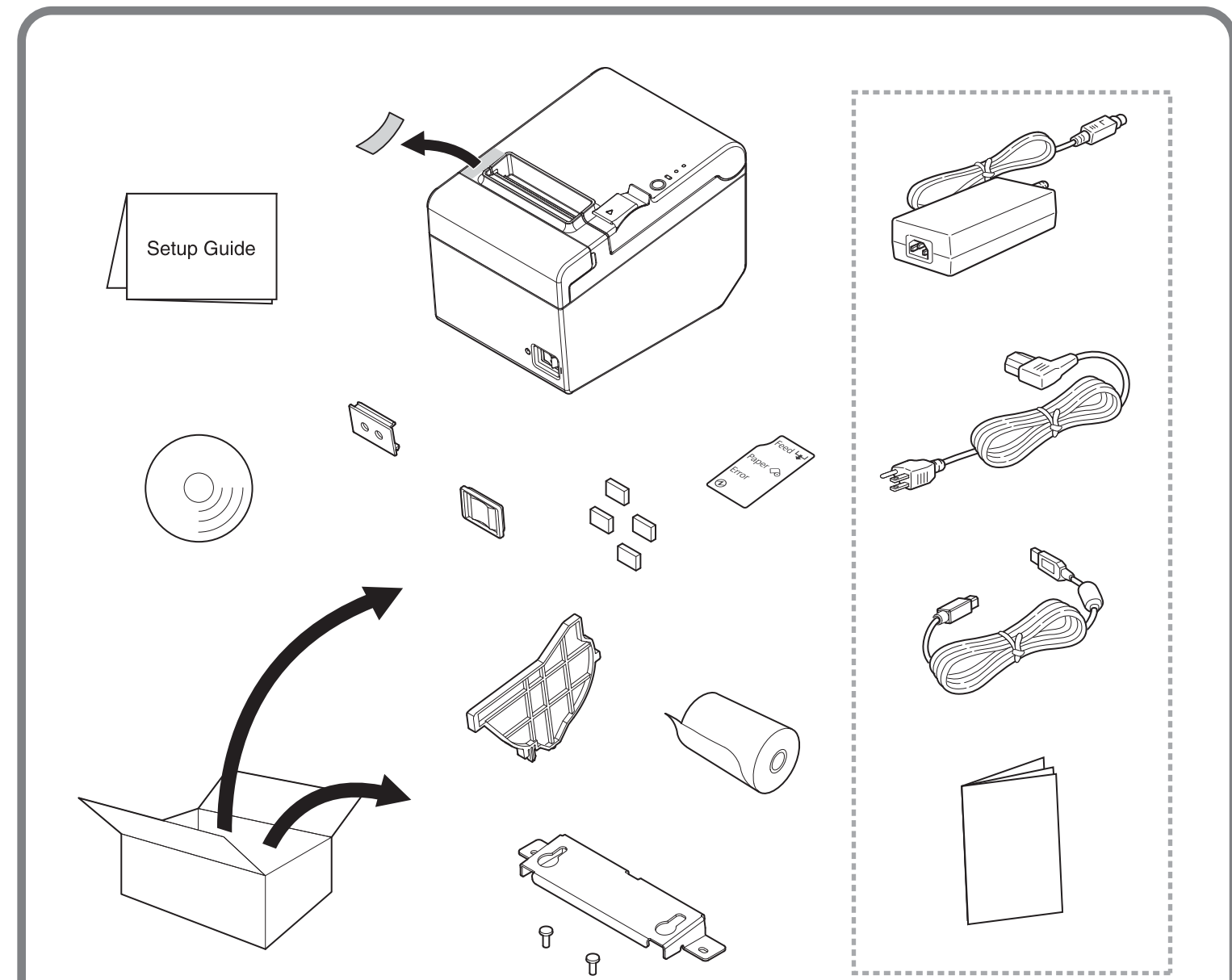


EN	Setup Guide	For detailed information and safety recommendations, refer to the User's Manual. For detailed information on the TM-T81 Emulation Mode, refer to the TM-T82 Technical Reference Guide. The documents are installed with the software.
SC	安装指南	有关详细说明和 safety 注意事项, 请参阅使用说明书。 有关 TM-T81 Emulation Mode 时的详细说明, 请参阅 TM-T82 Technical Reference Guide。 这些文件是随软件一起安装的。
TC	安装指南	有關詳細說明和 safety 注意事項, 請參閱使用說明書。 有關 TM-T81 Emulation Mode 的詳細說明, 請參閱 TM-T82 Technical Reference Guide。 這些文件是隨軟體一起安裝的。
TH	ข้อแนะนำการติดตั้ง	สำหรับข้อมูลที่ละเอียดและข้อแนะนำด้านความปลอดภัย อ้างอิงคู่มือการใช้งาน สำหรับข้อมูลที่ละเอียดเกี่ยวกับ TM-T81 Emulation Mode อ้างอิง TM-T82 Technical Reference Guide เอกสารถูกติดตั้งด้วยซอฟต์แวร์
VI	Hướng dẫn Cài đặt	Để biết thêm thông tin chi tiết và những khuyến nghị về an toàn, hãy xem Sách Hướng dẫn Người Sử dụng. Để biết thêm thông tin chi tiết trên TM-T81 Emulation Mode, hãy xem TM-T82 Technical Reference Guide. Các tài liệu này được cài đặt cùng với phần mềm.



**EN**  
Depending on the model, the accessories in the broken line box may not be included.  
The shape of the accessories varies between models and areas.

**SC**  
取决于机型, 虚线框内的附件可能不随机附送。  
附件的形状根据机型和地区而异。

**TC**  
取決於機型, 虛線框內的附件可能不隨機附送。  
附件的形狀根據機型和地區而異。

**TH**  
ขึ้นอยู่กับรุ่น อาจไม่รวมอุปกรณ์เสริมมาในกล่อง  
รูปร่างของอุปกรณ์เสริมเปลี่ยนแปลงตามรุ่นและพื้นที่

**VI**  
Tùy theo kiểu máy, các phụ kiện trong hình hộp đứt nét có thể không được bao gồm.  
Hình dạng các phụ kiện sẽ thay đổi tùy theo các kiểu máy và khu vực.

No part of this publication may be reproduced, stored in a retrieval system, or transmitted in any form or by any means, electronic, mechanical, photocopying, recording, or otherwise, without the prior written permission of Seiko Epson Corporation. No patent liability is assumed with respect to the use of the information contained herein. While every precaution has been taken in the preparation of this guide, Seiko Epson Corporation assumes no responsibility for errors or omissions. Neither is any liability assumed for damages resulting from the use of the information contained herein.

Neither Seiko Epson Corporation nor its affiliates shall be liable to the purchaser of this product or third parties for damages, losses, costs, or expenses incurred by purchaser or third parties as a result of: accident, misuse, or abuse of this product or unauthorized modifications, repairs, or alterations to this product, or (excluding the U.S.) failure to strictly comply with Seiko Epson Corporation's operating and maintenance instructions.

Seiko Epson Corporation shall not be liable against any damages or problems arising from the use of any options or any consumable products other than those designated as Original Epson Products or Epson Approved Products by Seiko Epson Corporation.

EPSON is a registered trademark of Seiko Epson Corporation in Japan and other countries/regions.

NOTICE: The contents of this manual are subject to change without notice.

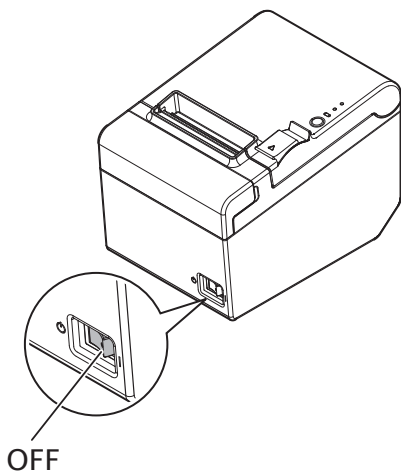
制造商: 精工爱普生株式会社  
地址: 日本东京都新宿区西新宿 2-4-1

Printed in China  
中国印刷

Copyright © 2013 by Seiko Epson Corporation.  
All rights reserved. 20131115

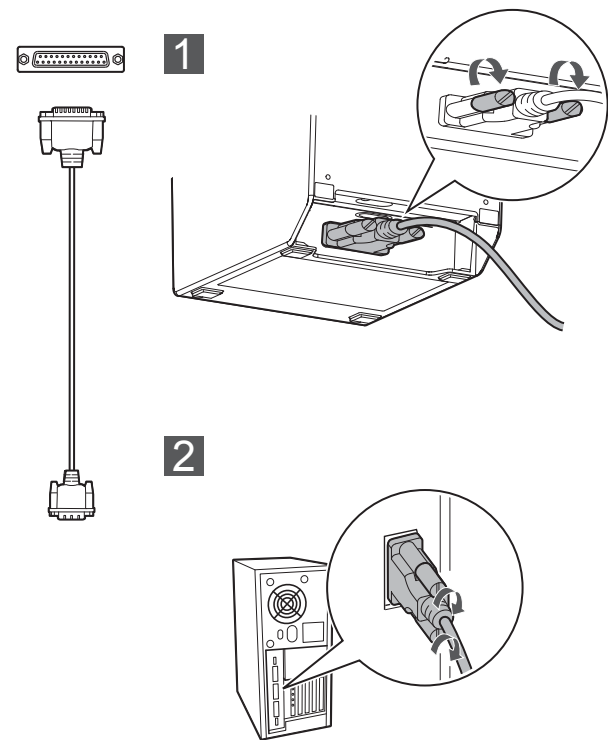


1

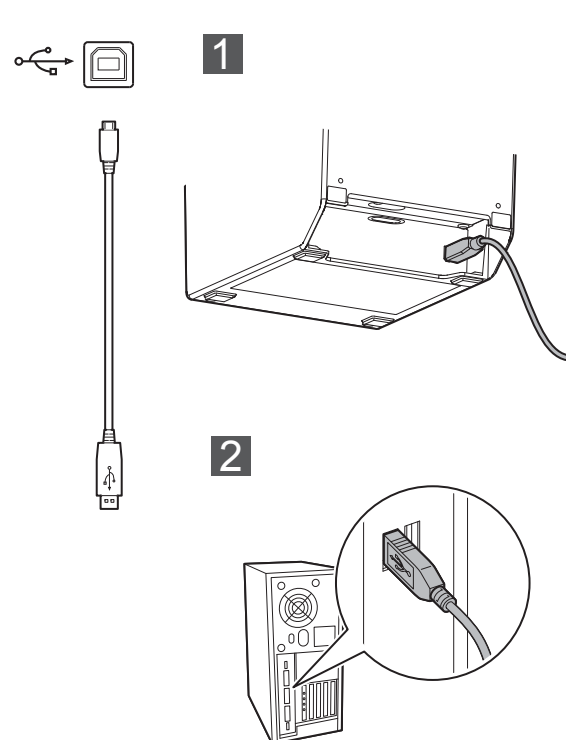


2

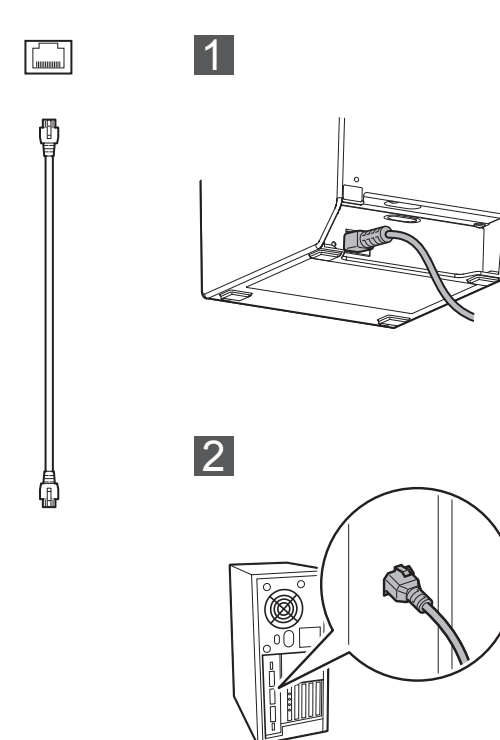
RS-232



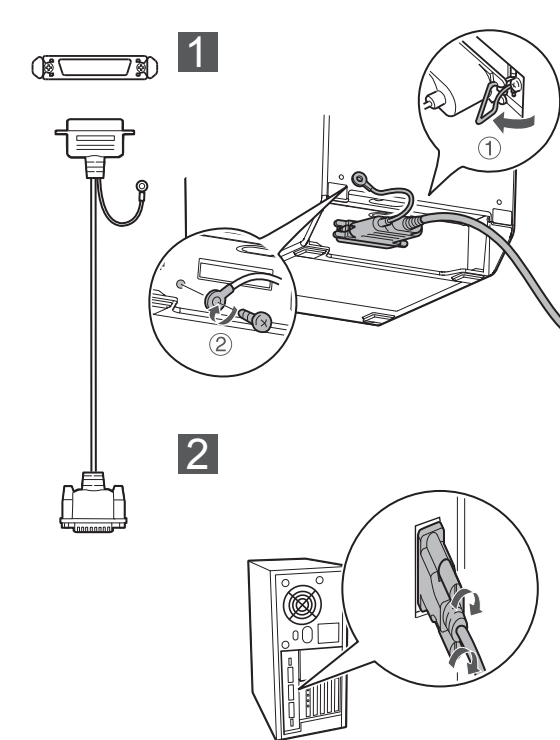
USB



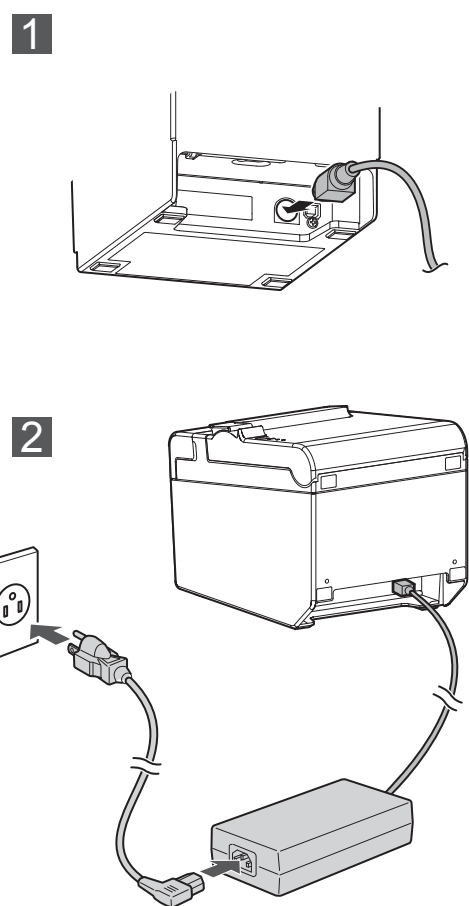
10/100BASE-T/TX



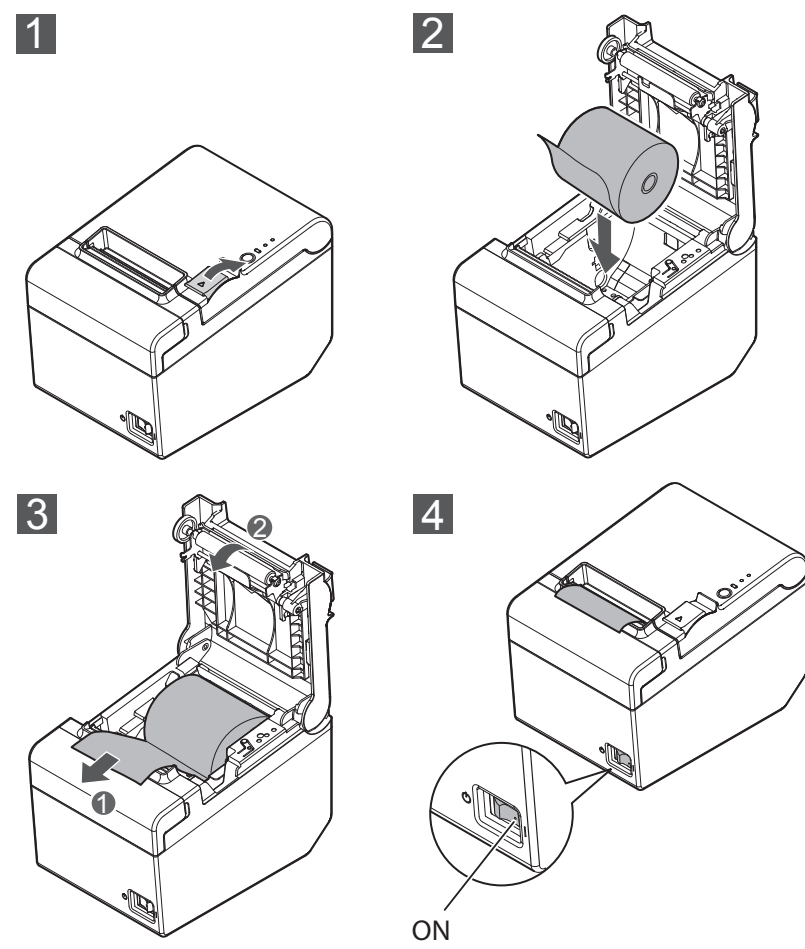
IEEE1284



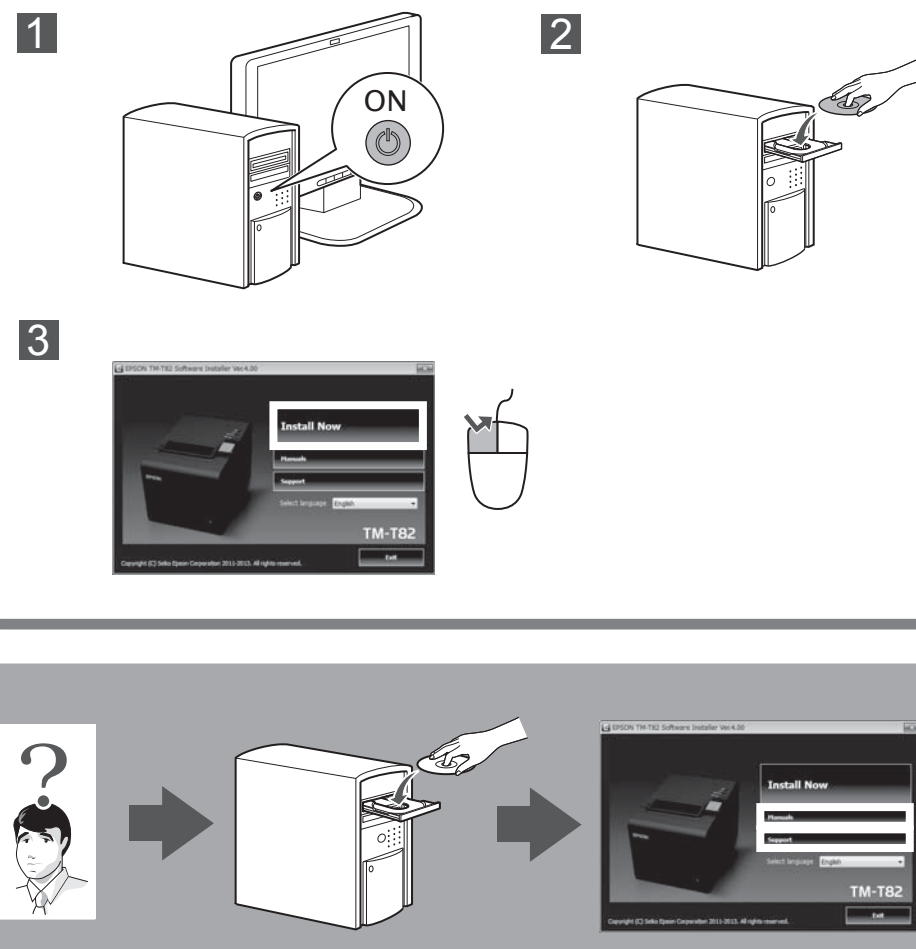
3



4



5



EN  
To use the printer vertically, see the illustrations below for installation.

SC  
要纵置使用打印机, 请参照下图进行安置。

TC  
要纵置使用印表機, 請參照下圖進行安置。

TH  
การใช้งานเครื่องพิมพ์แบบแนวตั้ง กรุณาดูภาพประกอบด้านล่างสำหรับการติดตั้ง

VI  
Để sử dụng máy in theo chiều đứng, hãy xem hình minh họa dưới đây để lắp đặt.

