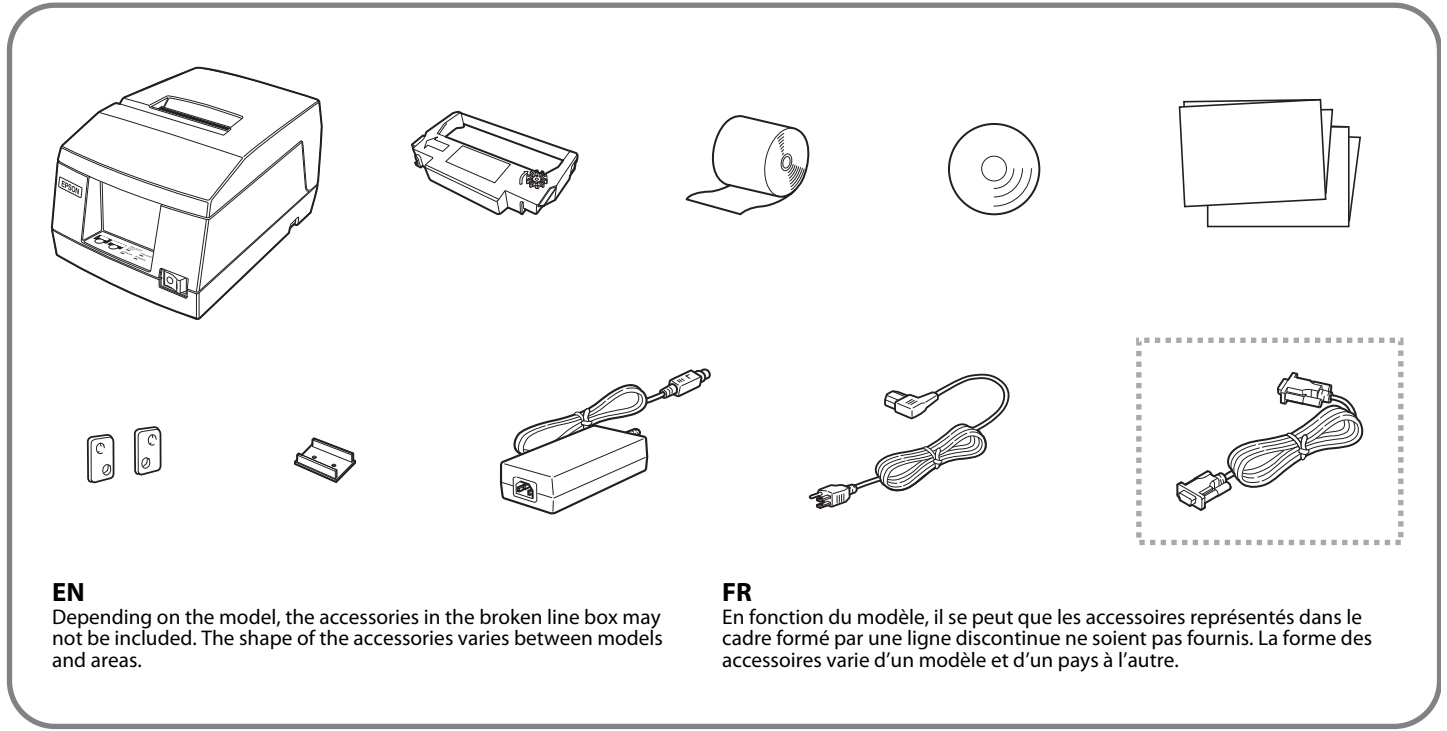


EN Start Here

For detailed information on operation and safe use of the product, refer to the other manuals included with the product.

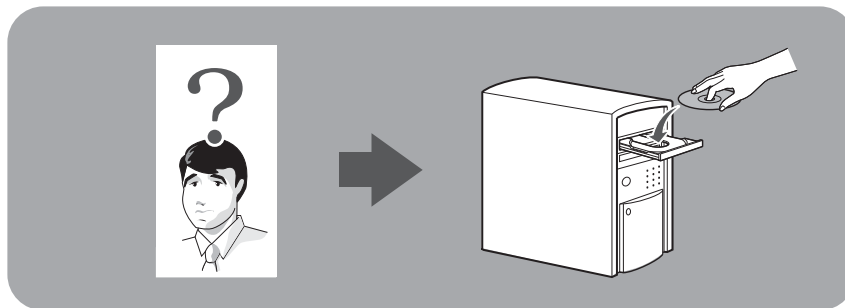
FR Commencer Ici

Pour des informations détaillées sur le fonctionnement et l'utilisation en toute sécurité du produit, voir les autres manuels fournis avec le produit.



EN Depending on the model, the accessories in the broken line box may not be included. The shape of the accessories varies between models and areas.

FR En fonction du modèle, il se peut que les accessoires représentés dans le cadre formé par une ligne discontinue ne soient pas fournis. La forme des accessoires varie d'un modèle et d'un pays à l'autre.



Standards and Approvals

The following standards are applied only to the products that are so labeled. (EMC is tested using the Epson power supplies.)
North America: FCC Class A, ICES-003 Class A

Warning

The connection of a non-shielded interface cable to this device will invalidate the EMC standards of this device. You are cautioned that changes or modifications not expressly approved by Seiko Epson Corporation could void your authority to operate the equipment.

FCC Compliance Statement for Users in the USA

This equipment has been tested and found to comply with the limits for a Class A digital device, pursuant to Part 15 of the FCC Rules. These limits are designed to provide reasonable protection against harmful interference when the equipment is operated in a commercial environment.

This equipment generates, uses, and can radiate radio frequency energy and, if not installed and used in accordance with the instruction manual, may cause harmful interference to radio communications. Operation of this equipment in a residential area is likely to cause harmful interference, in which case the user will be required to correct the interference at his own expense.

For Users in Canada

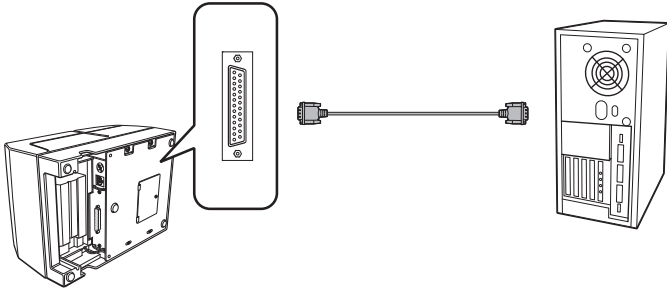
This Class A digital apparatus complies with Canadian ICES-003.

Pour les utilisateurs au Canada

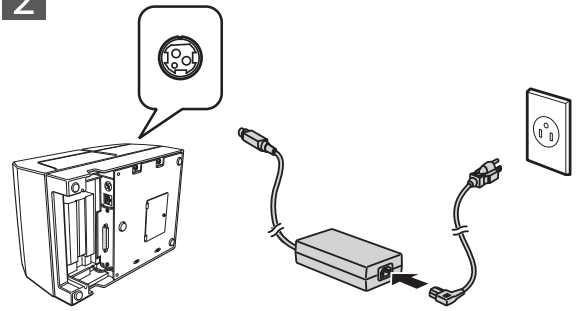
Cet appareil numérique de classe A est conforme à la norme canadienne NMB-003.



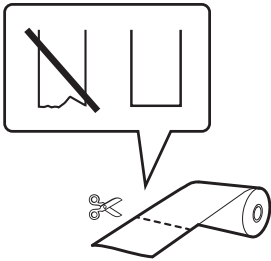
1



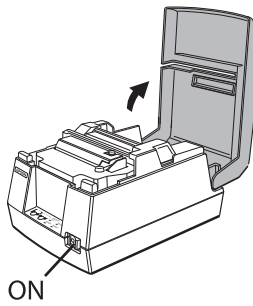
2



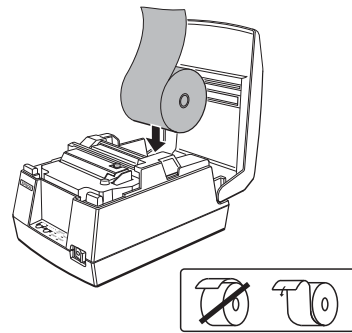
1



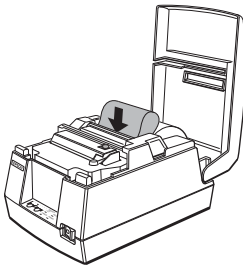
2



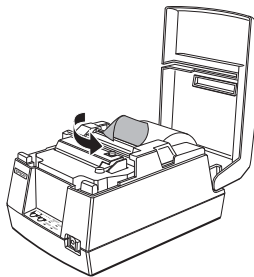
3



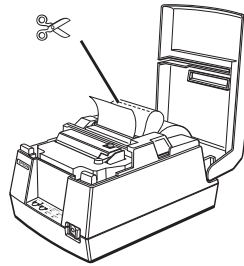
4



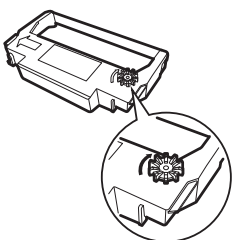
5



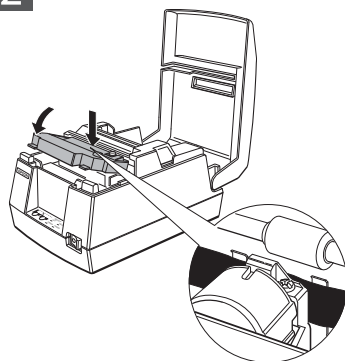
6



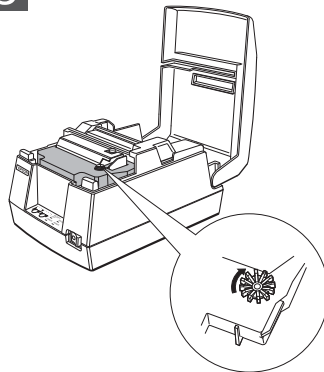
1



2



3



4

