

TM-U950

User's Manual / Petunjuk Penggunaan

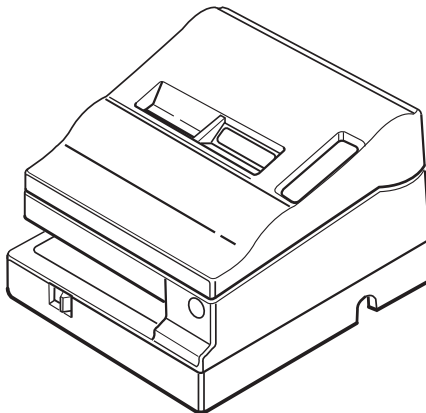
Di Impor oleh:

PT. Epson Indonesia

Wisma Kyoei Prince Lt.16

Jalan Jenderal Sudirman Kav.3

Jakarta Pusat 10220, Indonesia



No. Reg: 03/DJPDN/MG/III/2001

Tgl. 13 Maret 2001

M00031000

TM-U950

User's Manual

All rights reserved. No part of this publication may be reproduced, stored in a retrieval system, or transmitted in any form or by any means, electronic, mechanical, photocopying, recording, or otherwise, without the prior written permission of Seiko Epson Corporation. No patent liability is assumed with respect to the use of the information contained herein. While every precaution has been taken in the preparation of this book, Seiko Epson Corporation assumes no responsibility for errors or omissions. Neither is any liability assumed for damages resulting from the use of the information contained herein.

Neither Seiko Epson Corporation nor its affiliates shall be liable to the purchaser of this product or third parties for damages, losses, costs, or expenses incurred by purchaser or third parties as a result of: accident, misuse, or abuse of this product or unauthorized modifications, repairs, or alterations to this product, or (excluding the U.S.) failure to strictly comply with Seiko Epson Corporation's operating and maintenance instructions.

Seiko Epson Corporation shall not be liable against any damages or problems arising from the use of any options or any consumable products other than those designated as Original Epson Products or Epson Approved Products by Seiko Epson Corporation.

EPSON is a registered trademark of Seiko Epson Corporation in Japan and other countries/regions.

NOTICE: The contents of this manual are subject to change without notice.

Copyright © 2010 by Seiko Epson Corporation

Safety Precautions

This section presents important information intended to ensure safe and effective use of this product. Please read this section carefully and store it in an accessible location.



WARNING:

Shut down your equipment immediately if it produces smoke, a strange odor, or unusual noise. Continued use may lead to fire. Immediately unplug the equipment and contact your dealer or a Seiko Epson service center for advice.

Never attempt to repair this product yourself. Improper repair work can be dangerous.

Never disassemble or modify this product. Tampering with this product may result in injury or fire.

Be sure to use the specified power source. Connection to an improper power source may cause fire.

Do not allow foreign matter to fall into the equipment. Penetration by foreign objects may lead to fire.

If water or other liquid spills into this equipment, unplug the power cord immediately, and then contact your dealer or a Seiko Epson service center for advice. Continued usage may lead to fire.

Do not use aerosol sprayers containing flammable gas inside or around this product. Doing so may cause fire.

Do not connect a telephone line to the drawer kick-out connector or the display module connector; otherwise, the printer and the telephone line may be damaged.



CAUTION:

Do not connect cables in ways other than those mentioned in this manual. Different connections may cause equipment damage and burning.

Be sure to set this equipment on a firm, stable, horizontal surface. The product may break or cause injury if it falls.

Do not use in locations subject to high humidity or dust levels. Excessive humidity and dust may cause equipment damage or fire.

Do not place heavy objects on top of this product. Never stand or lean on this product. Equipment may fall or collapse, causing breakage and possible injury.

Take care not to injure your fingers on the manual cutter

- *When you remove printed paper*
- *When you perform other operations such as loading/replacing roll paper*

To ensure safety, unplug this product before leaving it unused for an extended period.

Caution Label

The caution label on the product indicates the following precaution.



CAUTION:

The print head is hot.

Restriction of Use

When this product is used for applications requiring high reliability/safety, such as transportation devices related to aviation, rail, marine, automotive, etc.; disaster prevention devices; various safety devices, etc.; or functional/precision devices, etc.; you should use this product only after giving consideration to including fail-safes and redundancies into your design to maintain safety and total system reliability. Because this product was not intended for use in applications requiring extremely high reliability/safety, such as aerospace equipment, main communication equipment, nuclear power control equipment, or medical equipment related to direct medical care, etc., please make your own judgment on this product's suitability after a full evaluation.

Unpacking

The following items are included with the standard specification printer. If any item is damaged, contact your dealer.

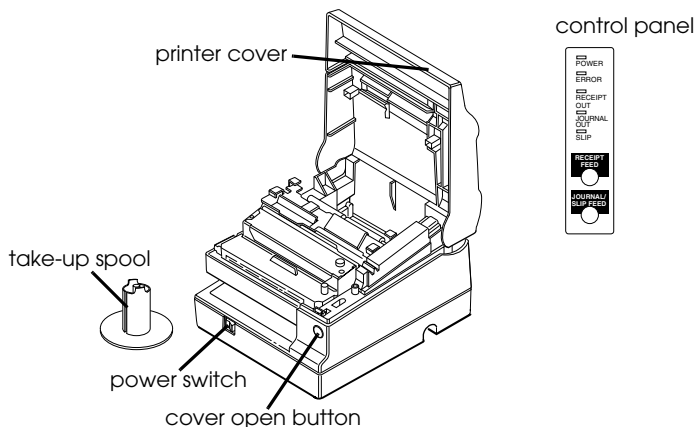
- Printer
- Paper rolls (2)
- Ribbon cassette
- Power switch cover
- Take-up spool
- Caution label

Downloading Drivers, Utilities, and Manuals

Drivers, utilities, and manuals can be downloaded from the following URL.

<http://www.epson-pos.com/>

Printer Parts



Control Panel

RECEIPT FEED button

Press to feed receipt paper; hold down to feed continuously.

JOURNAL/SLIP FEED button

In roll paper mode, feeds the journal roll. In slip mode (when the SLIP LED is on or flashing and slip paper is inserted), feeds slip paper.

POWER LED

On when the printer is on.

ERROR LED

Indicates an error.

RECEIPT OUT LED

Indicates a receipt paper near end or out.

JOURNAL OUT LED

Indicates a journal roll paper near end or out.

SLIP LED

Indicates slip mode. Flashes while waiting for a slip to be inserted or removed.

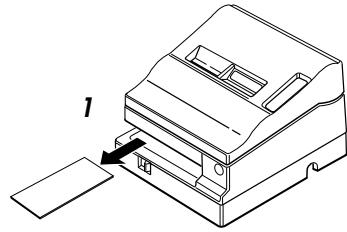
Removing the Transportation Damper

The printer is protected during shipping by a transportation damper that you must remove before turning on the printer.

Pull the damper out, as shown in illustration 1.

Note:

Before shipping the printer, reinstall the transportation damper.



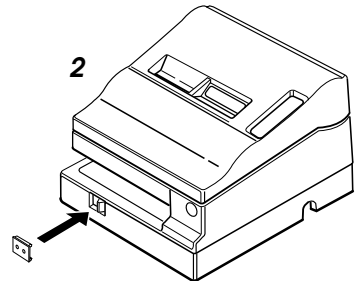
Using the Power Switch Cover



WARNING:

If an accident occurs with the power switch cover attached, unplug the power cord immediately. Continued use may cause fire.

The enclosed power switch cover ensures that the power switch is not pressed accidentally. To use this cover, install it as shown in illustration 2.

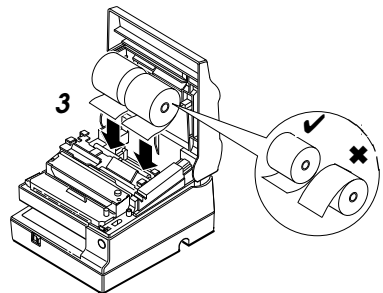


Installing the Paper Rolls

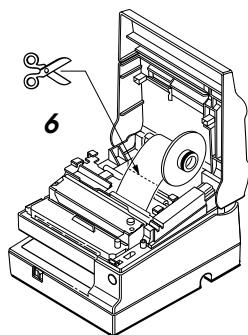
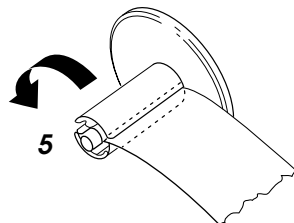
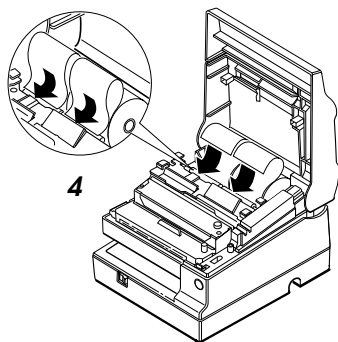
Note:

Use only paper rolls that meet the specifications.

1. Make sure the leading edge of the paper is straight.
2. Turn on the printer and open the printer cover.
3. Insert paper rolls on both the receipt and journal sides of the printer, as shown in illustration 3. (The journal roll is on the right in this illustration.)



4. For each roll, insert the tip of the paper into the paper inlet and push it in until it is automatically detected and fed into the printer. See illustration 4.
5. Tear off the receipt paper on the cutter. If the paper was not fed far enough, press the RECEIPT FEED button to feed additional paper.
6. Insert the tip of the journal paper into the groove in the take-up spool and rotate the spool two or three times to secure the paper. See illustration 5. If not enough paper was fed, press JOURNAL/SLIP FEED to feed more.
7. Install the take-up spool and close the printer cover.
8. To remove the journal paper roll, first lift the take-up spool and cut the paper. Then remove the take-up spool. See illustration 6.
9. For either a journal or receipt paper roll, next press the release lever (marked PRESS) on the appropriate side of the printer, pull out the paper, and remove the roll.



Inserting Slip Paper

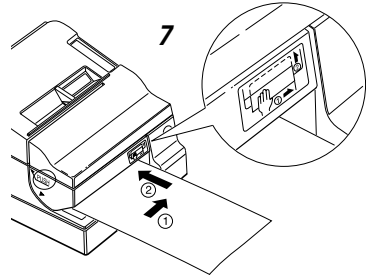
Notes:

Do not use wrinkled, folded, or curled paper.

Use only slip paper that matches the printer's specifications.

To prevent paper jams, install both paper rolls in the printer even if you plan to print only on slip paper.

1. When the SLIP LED flashes, insert slip paper, using the right edge of the slip paper inlet as a guide. See illustration 7.
2. When the printer detects the paper, it automatically draws it in and begins printing.

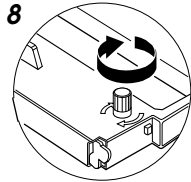
**CAUTION:**

Be sure to put the caution label exactly in the position shown. If you put it another place, such as over the slip paper inlet, the printer may be damaged.

Installing a Ribbon

Use the EPSON ERC-31. The use of any ribbon cassettes other than those approved by Epson may damage the printer and will void the warranty.

1. Turn the printer on and open the ribbon cover.
2. Turn the ribbon cassette's knob 2 or 3 times in the direction of the arrow in illustration 8 to take up any slack.
3. Insert the ribbon in the printer and rotate the cassette's knob 2 or 3 more times to place the ribbon in the correct position.
4. Make sure the ribbon is installed in front of the print head without wrinkles or creases.
5. To remove the ribbon cassette, grasp the ribbon cassette's tab and pull it out of the printer.



Using the MICR Reader (Option)

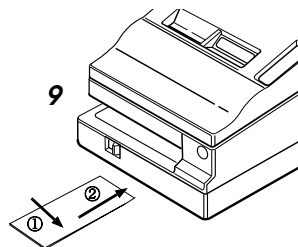
The optional, factory-installed magnetic ink character recognition (MICR) reader lets the printer read MICR ink on personal checks.

**CAUTION:**

To prevent paper jams, be sure both paper rolls are installed. Do not insert checks with staples in them; do not insert wrinkled checks.

1. The SLIP light flashes.

2. Insert the check face down, with the MICR characters on the right-hand side.
3. Insert the check straight into the inlet, using the right edge of the inlet as a guide, as far as the check will go. See illustration 9.
4. The printer starts drawing the check in. Let go of the check immediately. The SLIP LED goes from blinking to on.
5. When MICR reading is complete, the printer ejects the check and the SLIP LED starts blinking again.
6. Remove the check by pulling it straight out (not at an angle). The SLIP LED goes off.



Cleaning the Optional MICR Mechanism

Clean the MICR head and MICR roller every 6000 passes or once a month.

Note:

If you encounter frequent MICR reading errors, use the procedure below.

For the MICR head

Use a moistened cleaning sheet, such as PRESAT brand (KIC) "Check Reader Cleaning Card" or an equivalent commercially available cleaning sheet.

For the MICR feed roller

Use an adhesive cleaning sheet available from Epson. Contact your dealer.

Cleaning procedure

Use this procedure for both cleaning sheets.

1. Load both paper rolls into the printer; then turn off the power.
2. Open the front cover and turn the power back on while holding down the JOURNAL/SLIP button.
3. Press the JOURNAL/SLIP button 3 times.
4. Close the front cover (the SLIP LED flashes).
5. Follow the instructions on the cleaning sheet. You will insert the cleaning sheet the same way you insert a normal check.
6. When the sheet is ejected, remove it from the printer; then turn off the power.

Troubleshooting

LEDs on the control panel do not come on

Check the power cable and power outlet. If the outlet is controlled by a switch or timer, use another outlet.

ERROR LED is on (not flashing) with no printing

If RECEIPT OUT or JOURNAL OUT is **on**, a paper roll is not installed or nearly out. If these LEDs are **off**, the cover is not closed properly.

ERROR LED is flashing with no printing (and no paper jam)

The print head may be overheated. Printing resumes after the print head cools. If this does not occur, turn the printer off for 10 seconds and then back on. If there is still a problem, contact a qualified servicer.

The printer appears to be printing, but nothing is printed

Check ribbon installation and ribbon wear.

A line of dots is missing

The print head may be damaged. Stop printing and contact a qualified servicer.

Removing Jammed Paper

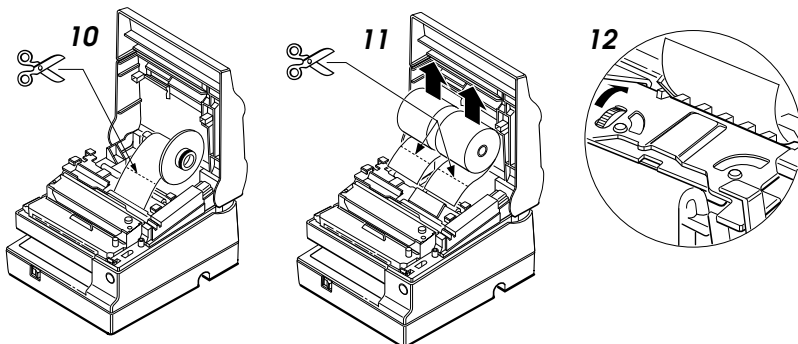


CAUTION:

Do not touch the print head because it can be very hot after printing.

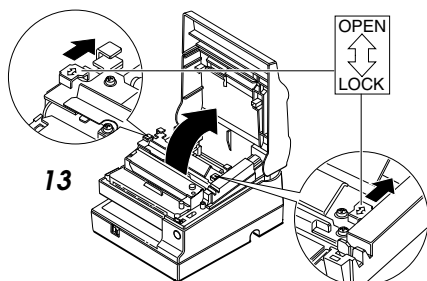
1. Turn the printer off and open the printer cover.
2. For a journal roll paper jam, cut with scissors or a knife, as shown in illustration **10**, and remove the take-up spool.
3. Cut the paper from the paper rolls as shown in illustration **11**.

4. If paper is caught in the automatic cutter, open the cutter blade by turning the gear in the direction shown in illustration **12**.



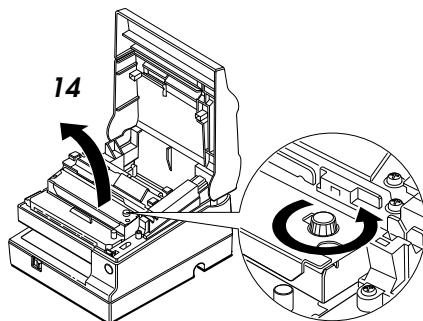
5. Move the OPEN ↔ LOCK lever on each side of the printer in the direction shown in illustration **13**; the cutter opens automatically.

6. Pull the paper out gently. If it tears, remove any pieces.



7. If necessary, remove the print head cover. Loosen the screw on the right as shown in illustration **14**. (Replace it by sliding the tab in the slot, and fasten the screw.)

8. After clearing all paper, close and lock the cutter unit (lock both locks), and reinstall the paper rolls.



DIP Switch Tables

Serial interface

SW	Function	ON	OFF
1-1	Data word length	7 bits	8 bits
1-2	Parity	Enabled	Disabled
1-3	Parity selection	Even	Odd
1-4 ~ 1-5	Transmission speed (see table below)		
1-6	Display module connection	Connected	Not connected
1-7	Data receive error	Ignored	Prints "?"
1-8	Handshaking	XON/XOFF	DTR/DSR

Transmission speed

Speed	1-4	1-5
1200	ON	ON
2400	OFF	ON
4800	ON	OFF
9600	OFF	OFF

SW	Function	ON	OFF
2-1	Auto line feed	Always enabled	Always disabled
2-2	Receive buffer	32 bytes	2048 bytes
2-3	Font selection (default)	9 × 9	7 × 9
2-4	Carriage speed default	Low	High
2-5	Handshaking (BUSY)	Receive buffer full	Offline or receive buffer full
2-6	Internal use	Fixed	—
2-7	I/F pin 6 reset	Enabled	Disabled
2-8	I/F pin 25 reset	Enabled	Disabled

Parallel interface

SW	Function	ON	OFF
1-1 ~ 1-5	Undefined	—	—
1-6	Internal use	—	Fixed
1-7 ~ 1-8	Undefined	—	—

SW	Function	ON	OFF
2-1	Auto line feed	Always enabled	Always disabled
2-2	Receive buffer	32 bytes	2048 bytes
2-3	Font selection (default)	9 × 9	7 × 9
2-4	Carriage speed default	Low	High
2-5	Handshaking (BUSY)	Receive buffer full	Offline or receive buffer full
2-6	Internal use	Fixed	—
2-7	Undefined	—	—
2-8	Internal use	Fixed	—

TM-U950 Specifications

Printing method	Serial impact dot matrix
Head wire configuration	9-pin vertical line, wire pitch 0.353 mm {1/72"}, 0.29 mm {0.01"} wire diameter
Printing direction	Bidirectional, minimum distance printing
Printing width	Roll paper: 61.1 mm {2.41"}; slip paper: 135.6 mm {5.34"}
Characters per line (default)	9 × 9: roll paper = 30; slip paper = 66 7 × 9: roll paper = 40; slip paper = 88
Character spacing (default)	9 × 9: 3 dots (half dots); 7 × 9: 2 dots (half dots)
Print speed	High-speed — 9 × 9: 233 characters/second 7 × 9: 311 characters/second Low-speed — 9 × 9: 200 characters/second 7 × 9: 267 characters/second
Paper feed speed	Approx. 60.3 ms/line (4.23 mm {1/6"} feed); Approx. 86.36 mm/second {3.4"/second} continuous feed
Line spacing (default)	4.23 mm {1/6"}
Number of characters	Alphanumeric characters: 95; International characters: 32 Extended graphics: 128 × 9 pages (including space pages)
Character structure	9 × 9 or 7 × 9
Paper roll (single-ply)	Size: Width: 69.5 ± 0.5 mm {2.74 ± 0.02"} Maximum outside diameter: 83 mm {3.27"} Paper roll spool inside diameter: 10 mm {0.39"} or more
Slip paper	Normal, carbon-copy, and pressure-sensitive
Number of copies for slip	Original + 4 (at 20 to 40°C {68 to 104°F}) Original + 1 to 3 copies (at 5 to 40°C {41 to 104°F})
Total slip thickness	0.09 to 0.36 mm {0.0035 to 0.0141"}
Ribbon cassette	ERC-31
Buffer size	32 bytes or 2 KB, depending on the DIP switch setting
Supply voltage^{*1}	+24 VDC ± 10%
Current consumption(at 24V)	Printing receipt and journal paper (40 columns): Mean: Approx. 1.8 A (alphanumeric characters) Peak: Approximately 8.0 A Feeding slip paper to the print start position or MICR reading: Mean: Approx. 2.3 A for approx. 1.4 seconds
Life	Mechanism: 7,500,000 lines Print head: 150 million characters Ribbon: 4,500,000 characters MICR: 240,000 passes
MTBF	180,000 hours
MCBF	18,000,000 lines
Temperature	Operating: 5 to 40°C {41 to 104°F} Storage: -10 to 50°C {14 to 122°F}, except for ribbon
Humidity	Operating: 30 to 80% RH Storage: 30 to 90% RH
Overall dimensions	194.5 × 251 × 298 mm {7.7 × 9.9 × 11.7"} (H × W × D)
Weight (mass)	Approximately 5.6 kg {12.3 lb}

*1: Be sure to use a safety-standards-applied power source that meets the following specifications.
Rated output: 24 V/2.0 A or more, Maximum output: 240 VA or less

TM-U950

Petunjuk Penggunaan

Semua hak cipta dilindungi. Dilarang mereproduksi bagian mana pun dari publikasi ini, atau menyimpannya dalam sistem pengambilan atau mengirimkannya dalam bentuk apa pun atau cara apa pun, elektronik, mekanis, memfotokopi, merekam, atau cara lainnya, tanpa izin tertulis sebelumnya dari Seiko Epson Corporation. Tidak ada pertanggungjawaban hukum atas penggunaan informasi yang terdapat di dalam dokumen ini. Meskipun persiapan buku ini telah dilakukan dengan sangat hati-hati, namun Seiko Epson Corporation tidak bertanggung jawab atas kesalahan atau kelalaian. Juga tidak ada pertanggungjawaban apa pun yang ditanggung atas kerusakan yang diakibatkan oleh penggunaan informasi yang terdapat di dalamnya.

Baik Seiko Epson Corporation maupun afiliasinya tidak akan bertanggung jawab pada pembeli produk ini atau pihak ketiga atas kerusakan, kehilangan, biaya, atau pengeluaran yang dikenakan oleh pembeli atau pihak ketiga sebagai akibat: kecelakaan, kesalahan penggunaan, atau penyalahgunaan produk ini atau modifikasi, perbaikan, perubahan yang tidak resmi pada produk ini, atau (tidak termasuk A.S.) kegagalan dalam mematuhi instruksi pengoperasian dan perawatan Seiko Epson Corporation.

Seiko Epson Corporation tidak akan bertanggung jawab terhadap kerusakan atau masalah yang timbul dari penggunaan opsi apa pun atau produk habis pakai apa pun selain yang ditunjuk sebagai Produk Epson Asli atau Produk yang Disetujui Epson oleh Seiko Epson Corporation.

EPSON adalah merek dagang terdaftar dari Seiko Epson Corporation di Jepang dan negara/wilayah lainnya.

PEMBERITAHUAN: Isi manual ini dapat berubah tanpa pemberitahuan.

Hak cipta © 2010 oleh Seiko Epson Corporation

Tindakan Pencegahan Keselamatan

Bagian ini menyajikan informasi penting yang dimaksudkan untuk memastikan penggunaan produk ini dengan aman dan efektif. Harap baca bagian ini dengan teliti dan simpan di lokasi yang mudah diakses.



PERINGATAN:

Matikan peralatan Anda segera jika produk ini mengeluarkan asap, bau aneh, atau suara bising yang tidak seperti biasanya. Jika produk terus digunakan, dapat mengakibatkan kebakaran. Cabut stopkontak peralatan dengan segera dan hubungi dealer Anda atau pusat layanan Seiko Epson untuk meminta nasihat.

Jangan sekali-kali berusaha memperbaiki produk ini sendiri. Pekerjaan perbaikan yang tidak tepat dapat menjadi berbahaya.

Jangan sekali-kali membongkar atau memodifikasi produk ini. Dilarang mengotak-atik produk ini karena dapat menyebabkan cedera atau kebakaran.

Pastikan menggunakan sumber daya khusus. Koneksi ke sumber daya yang tidak tepat bisa mengakibatkan kebakaran.

Jangan biarkan ada benda asing masuk ke dalam peralatan. Masuknya benda asing dapat mengakibatkan kebakaran.

Jika air atau cairan lainnya tumpah ke dalam peralatan ini, segera cabut kabel daya, lalu hubungi dealer Anda atau pusat layanan Seiko Epson untuk mendapatkan nasihat. Jika produk terus digunakan, dapat mengakibatkan kebakaran.

Jangan menggunakan penyemprot aerosol yang berisi gas yang mudah terbakar di dalam atau di sekitar produk ini. Jika dilakukan dapat mengakibatkan kebakaran.

Jangan menyambungkan kabel telepon ke konektor laci atau konektor modul tampilan; jika tidak, printer dan kabel telepon bisa rusak.



PERHATIAN:

Jangan menyambungkan kabel dengan cara selain yang disebutkan dalam manual ini. Sambungan dengan cara yang berbeda dapat mengakibatkan peralatan rusak atau terbakar.

Pastikan untuk menyetel peralatan ini pada permukaan datar, kokoh dan stabil. Produk bisa pecah atau mengakibatkan cedera jika jatuh.

Jangan gunakan produk ini di lokasi dengan tingkat kelembapan dan debu tinggi. Kelembapan dan debu yang berlebihan bisa mengakibatkan peralatan rusak atau terbakar.

Jangan meletakkan benda berat di atas produk ini. Jangan sekali-kali berdiri atau bersandar pada produk ini. Peralatan bisa jatuh atau roboh, peralatan bisa pecah atau kemungkinan menimbulkan cedera.

Berhati-hatilah agar jari Anda tidak terluka terkena pemotong manual

- Ketika Anda melepaskan kertas yang dicetak
- Ketika Anda melakukan operasi lainnya seperti memasang/mengganti kertas kasir

Untuk memastikan keselamatan, cabut stopkontak produk ini sebelum meninggalkannya dalam keadaan tidak terpakai untuk periode yang lama.

Label Perhatian

Label perhatian pada produk ini mengindikasikan perhatian berikut.



PERHATIAN:

Kepala cetak panas.

Batasan Penggunaan

Apabila produk ini digunakan untuk aplikasi yang memerlukan keandalan/keselamatan tinggi seperti alat transportasi yang terkait dengan penerbangan, kereta api, laut, atau otomotif dll.; alat penanggulangan bencana; beragam alat keselamatan dll.; atau alat fungsional/presisi dll., Anda harus menggunakan produk ini hanya setelah memberi pertimbangan termasuk gagal-aman dan redundansi ke dalam rancangan Anda untuk menjaga keselamatan dan keandalan sistem secara keseluruhan. Karena produk ini tidak dimaksudkan untuk penggunaan pada aplikasi yang memerlukan keandalan/keselamatan yang sangat tinggi seperti peralatan ruang angkasa, peralatan komunikasi utama, peralatan pengontrol tenaga nuklir, atau peralatan medis terkait dengan perawatan medis dll., buatlah pertimbangan sendiri atas kesesuaian produk ini setelah melakukan evaluasi menyeluruh.

Membuka kemasan

Item berikut disertakan untuk printer dengan spesifikasi standar. Jika ada item yang rusak, hubungi dealer Anda.

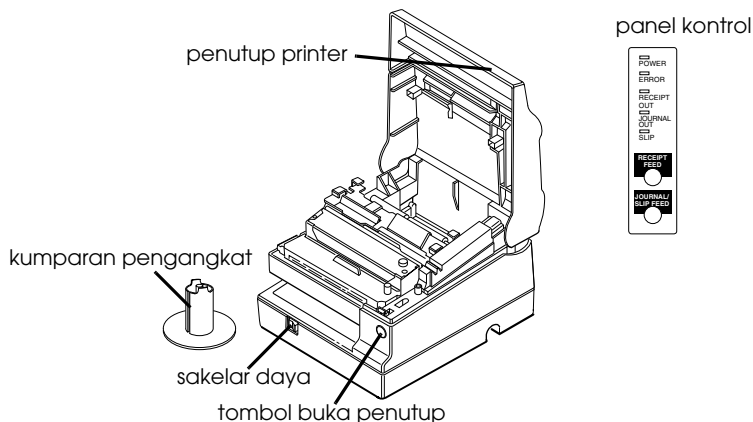
- Printer
- Kertas kasir (2)
- Kaset pita
- Penutup sakelar daya
- Kumparan pengangkat
- Label Perhatian

Mendownload Driver, Utilitas, dan Manual

Driver, utilitas, dan manual dapat didownload dari URL berikut.

<http://www.epson-pos.com/>

Komponen Printer



Panel Kontrol

Tombol RECEIPT FEED (Umpan Kertas Tanda Terima)

Tekan untuk mengumpan kertas tanda terima; tahan untuk mengumpan secara terus-menerus.

Tombol JOURNAL/SLIP FEED (Umpan Kertas Jurnal/Struk)

Dalam mode kertas kasir, mengumpan kertas jurnal. Dalam mode struk (saat LED SLIP (Struk) menyala atau berkedip dan kertas dimasukkan), mengumpan kertas struk.

LED POWER (Daya)

Menyala saat printer hidup.

LED ERROR (Kesalahan)

Mengindikasikan kesalahan.

LED RECEIPT OUT (Kertas Tanda Terima Keluar)

Mengindikasikan kertas kuitansi hampir habis atau habis.

LED JOURNAL OUT (Kertas Jurnal Keluar)

Mengindikasikan kertas jurnal gulung hampir habis atau habis.

LED SLIP (Struk)

Mengindikasikan mode struk. Berkedip saat menunggu struk dimasukkan atau dikeluarkan.

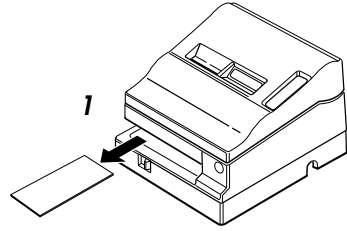
Membuka Peredam Transportasi

Printer dilindungi selama pengiriman dengan peredam transportasi yang harus Anda lepas sebelum menghidupkan printer.

Tarik peredam keluar, seperti tampak pada ilustrasi 1.

Catatan:

Sebelum mengirimkan printer, pasang kembali peredam transportasi.



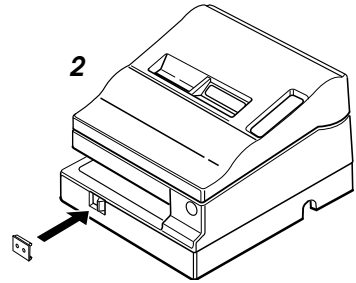
Menggunakan Penutup Sakelar Daya



PERINGATAN:

Jika terjadi kecelakaan pada saat penutup daya terpasang, cabut kabel daya segera. Jika produk terus digunakan bisa menyebabkan kebakaran.

Penutup sakelar daya yang disertakan memastikan agar sakelar daya tidak ditekan dengan tidak sengaja. Untuk menggunakan penutup ini, pasang penutup tersebut seperti tampak dalam ilustrasi 2.

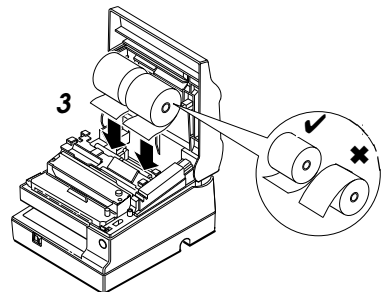


Memasang Kertas Kasir

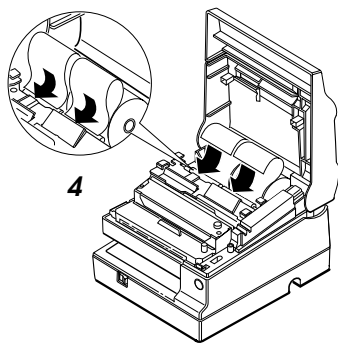
Catatan:

Hanya gunakan kertas kasir yang sesuai dengan spesifikasi.

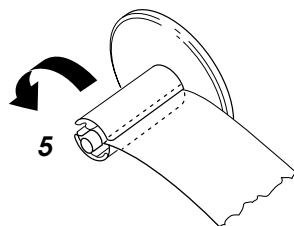
1. Pastikan tepi depan kertas tersebut lurus.
2. Hidupkan printer dan buka penutup printer.
3. Masukkan kertas kasir pada sisi kuitansi dan kertas jurnal pada printer, seperti tampak pada ilustrasi 3. (Kertas jurnal terdapat di sebelah kanan seperti tampak pada ilustrasi.)



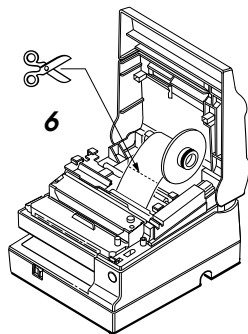
4. Untuk setiap gulungan, masukkan ujung kertas ke dalam jalur masuk kertas dan tekan ke dalam hingga terdeteksi secara otomatis dan masuk ke dalam printer. Lihat ilustrasi 4.
5. Sobek kertas kuitansi pada pemotong. Jika kertas tidak cukup masuk, tekan tombol RECEIPT FEED (Umpan Kertas Tanda Terima) untuk mengumpan kertas tambahan.



6. Masukkan ujung kertas jurnal ke dalam alur pada kumparan pengangkat dan putar kumparan tersebut dua atau tiga kali untuk mengencangkan kertas. Lihat ilustrasi 5. Jika kertas tidak cukup masuk, tekan JOURNAL/SLIP FEED (Umpan Kertas Jurnal/Struk) untuk mengumpan lebih jauh.



7. Pasang kumparan pengangkat dan tutup penutup printer.
8. Untuk mengambil kertas jurnal gulung, pertama-tama angkat kumparan pengangkat dan potong kertas. Lalu ambil kumparan pengangkat tersebut. Lihat ilustrasi 6.
9. Baik untuk kertas jurnal atau kertas tanda terima gulung, selanjutnya tekan tuas pengeluaran (yang ditandai PRESS (Tekan)) pada sisi printer yang sesuai, tarik kertas, dan ambil gulungan tersebut.



Memasukkan Kertas Struk

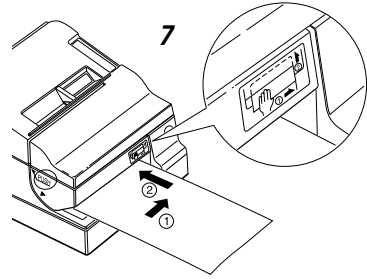
Catatan:

Jangan gunakan kertas yang berkerut, berlipat atau keriting.

Hanya gunakan kertas struk yang sesuai dengan spesifikasi printer.

Untuk mencegah kertas macet, pasang kedua kertas kasir pada printer meski Anda hanya ingin mencetak pada kertas struk.

1. Saat LED SLIP (Struk) berkedip, masukkan kertas struk, dengan ujung kanan jalur masuk kertas struk sebagai pemandu. Lihat ilustrasi 7.
2. Apabila printer mendeteksi kertas, printer akan menariknya secara otomatis dan mulai mencetak.

**PERHATIAN:**

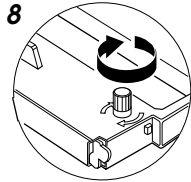
Pastikan untuk menempelkan label perhatian dengan tepat pada posisi seperti tampak pada ilustrasi. Jika Anda menempelkan di tempat lain, seperti pada jalur masuk kertas struk, printer bisa rusak.

Memasang Pita

Gunakan EPSON ERC-31. Penggunaan kaset pita selain yang disetujui oleh Epson bisa merusak printer dan akan membatalkan garansi.

1. Hidupkan printer dan buka tutup pita.
2. Putar kenop kaset pita 2 atau 3 kali sesuai arah panah pada ilustrasi 8 untuk mengencangkan pita yang kendur.
3. Masukkan pita ke dalam printer dan putar kenop kaset 2 atau 3 kali untuk menempatkan pita pada posisi yang benar.
4. Pastikan pita terpasang di depan kepala cetak tanpa kerutan atau lipatan.
5. Untuk mengambil kaset pita, pegang tab kaset pita dan tarik printer keluar.

8



Menggunakan Pembaca MICR (Pilihan)

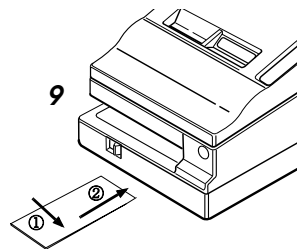
Pembaca pengenalan karakter tinta magnetik (MICR) pilihan yang dipasang pabrik memungkinkan printer membaca tinta MICR pada cek pribadi.

**PERHATIAN:**

Untuk mencegah kertas macet, pastikan kedua kertas kasir terpasang. Jangan masukkan cek yang ada staplesnya; jangan memasukkan cek yang berkerut.

1. Lampu SLIP (Struk) berkedip.

2. Masukkan cek menghadap ke bawah, dengan karakter MICR pada sisi kanan.
3. Masukkan cek lurus ke dalam jalur masuk sejauh mungkin, dengan pinggir kanan jalur masuk sebagai panduan. Lihat ilustrasi 9.
4. Printer mulai menarik cek ke dalam. Segera lepas cek. LED SLIP (Struk) berubah dari berkedip menjadi menyala.
5. Apabila pembacaan MICR selesai, printer akan mengeluarkan cek dan LED SLIP (Struk) mulai berkedip lagi.
6. Ambil cek dengan menariknya lurus ke luar (jangan pada sudutnya). LED SLIP (Struk) mati.



Membersihkan Mekanisme MICR Pilihan

Bersihkan head MICR dan penggulung MICR setiap melewati 6000 atau sekali sebulan sekali.

Catatan:

Jika Anda sering mengalami kesalahan pembacaan MICR, gunakan prosedur di bawah.

Untuk head MICR

Gunakan kertas pembersih lembap, seperti Merk PRESAT (KIC) "Check Reader Cleaning Card" kertas pembersih yang sepadan yang dijual di toko.

Untuk penggulung umpan MICR

Gunakan kertas pembersih berperekat yang tersedia dari Epson. Hubungi dealer Anda.

Prosedur pembersihan

Gunakan prosedur ini untuk kedua kertas pembersih.

1. Masukkan kedua kertas kasir ke dalam printer; lalu matikan daya.
2. Buka tutup depan dan nyalakan daya lagi sambil menahan tombol JOURNAL/SLIP (Kertas Jurnal/Struk).
3. Tekan tombol JOURNAL/SLIP (Kertas Jurnal/Struk) 3 kali.
4. Tutup penutup depan (LED SLIP (Struk) berkedip).
5. Ikuti instruksi pada kertas pembersih. Anda harus memasukkan kertas pembersih dengan cara yang sama apabila Anda memasukkan cek biasa.
6. Ketika kertas tersebut dikeluarkan, ambil kertas tersebut dari printer; lalu matikan daya.

Pemecahan masalah

LED pada panel kontrol tidak mau menyala

Periksa kabel daya dan stopkontak. Jika stopkontak dikendalikan oleh sakelar atau pengatur waktu, gunakan stopkontak lainnya.

LED ERROR (Kesalahan) menyala (tidak berkedip) tetapi tidak ada pencetakan

Jika RECEIPT OUT (Kertas Tanda Terima Keluar) atau JOURNAL OUT (Kertas Jurnal Keluar) **menyala**, kertas kasir tidak terpasang atau hampir habis. Jika LED ini **mati**, penutup tidak tertutup dengan benar.

LED ERROR (Kesalahan) berkedip tanpa ada pencetakan (dan tidak ada kertas macet)

Kepala cetak mungkin terlalu panas. Pencetakan dilanjutkan lagi setelah kepala cetak dingin. Jika pencetakan tidak dilanjutkan lagi, matikan printer selama 10 menit lalu hidupkan lagi. Jika masih ada masalah, hubungi petugas servis ahli.

Printer tampak mencetak, tapi tidak ada yang dicetak.

Periksa pemasangan pita dan keausan pita.

Sederet titik hilang

Kepala cetak mungkin rusak. Hentikan mencetak dan hubungi petugas servis ahli.

Melepaskan Kertas Yang Macet

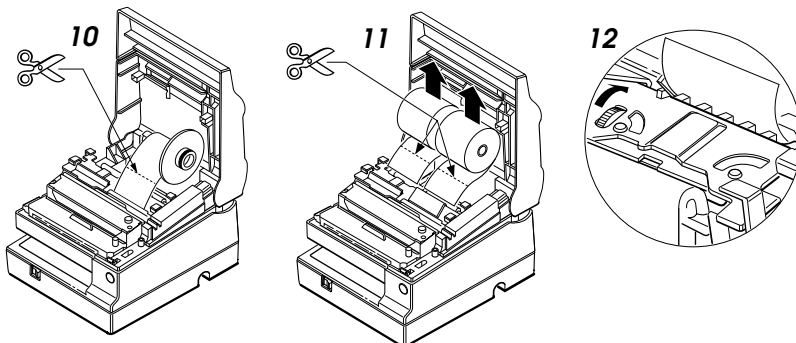


PERHATIAN:

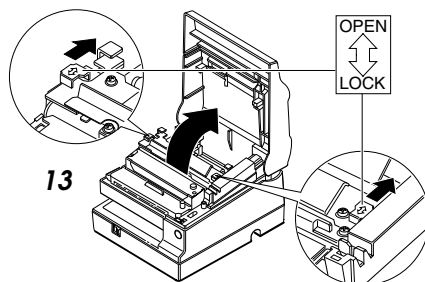
Jangan sentuh kepala cetak karena kepala cetak dapat menjadi sangat panas setelah pencetakan.

1. Matikan printer dan buka penutup printer.
2. Jika kertas jurnal gulung yang macet, potong dengan gunting atau pisau, seperti tampak pada ilustrasi **10**, dan ambil kumparan pengangkat.
3. Potong kertas dari kertas kasir seperti tampak pada ilustrasi **11**.

4. Jika kertas macet dalam pemotong otomatis, buka pisau pemotong tersebut dengan memutar gerigi dengan arah seperti tampak pada ilustrasi **12**.

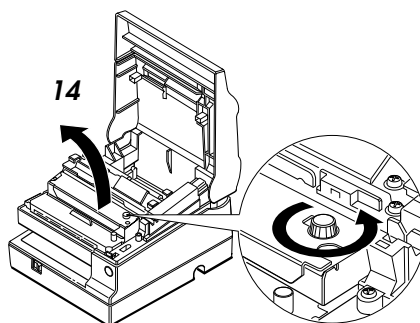


5. Gerakkan tuas OPEN (Buka) ↔ LOCK (Kunci) pada masing-masing sisi printer sesuai arah seperti tampak pada ilustrasi **13**; pemotong terbuka secara otomatis.



6. Tarik kertas keluar dengan hati-hati. Jika sobek, buang sobekannya.

7. Jika perlu, lepaskan penutup kepala cetak. Kendorkan baut ke kanan seperti tampak pada ilustrasi **14**. (Pasang kembali penutup tersebut dengan menggeser tab pada slot, dan kencangkan baut.)



8. Setelah membersihkan semua kertas, tutuplah dan kunci unit pemotong (kuncilah kedua kunci), dan pasanglah ulang kertas kasir.

Tabel Sakelar DIP

Antarmuka seri

SW	Fungsi	HIDUP	MATI
1-1	Panjang kata data	7 bit	8 bit
1-2	Paritas	Aktif	Nonaktif
1-3	Pemilihan paritas	Genap	Ganjil
1-4 ~ 1-5	Kecepatan transmisi (lihat tabel di bawah)		
1-6	Sambungan modul tampilan	Tersambung	Terputus
1-7	Kesalahan penerimaan data	Diabaikan	Cetak "?"
1-8	Jabatan tangan	XHIDUP/ XMATI	DTR/DSR

Kecepatan transmisi

Kecepatan	1-4	1-5
1200	HIDUP	HIDUP
2400	MATI	HIDUP
4800	HIDUP	MATI
9600	MATI	MATI

SW	Fungsi	HIDUP	MATI
2-1	Umpan baris otomatis	Selalu aktif	Selalu nonaktif
2-2	Penyangga penerima	32 bit	2048 bit
2-3	Pemilihan huruf cetak (default)	9 × 9	7 × 9
2-4	Default kecepatan rol	Rendah	Tinggi
2-5	Jabatan tangan (SIBUK)	Penyangga penerima penuh	Offline atau penyangga penerima penuh
2-6	Penggunaan internal	Ditetapkan	—
2-7	Reset I/F pin 6	Aktif	Nonaktif
2-8	Reset I/F pin 25	Aktif	Nonaktif

Antarmuka paralel

SW	Fungsi	HIDUP	MATI
1-1 ~ 1-5	Tidak ditetapkan	—	—
1-6	Penggunaan internal	—	Ditetapkan
1-7 ~ 1-8	Tidak ditetapkan	—	—

SW	Fungsi	HIDUP	MATI
2-1	Umpan baris otomatis	Selalu aktif	Selalu nonaktif
2-2	Penyangga penerima	32 bit	2048 bit
2-3	Pemilihan huruf cetak (default)	9 × 9	7 × 9
2-4	Default kecepatan rol	Rendah	Tinggi
2-5	Jabatan tangan (SIBUK)	Penyangga penerima penuh	Offline atau penyangga penerima penuh
2-6	Penggunaan internal	Ditetapkan	—
2-7	Tidak ditetapkan	—	—
2-8	Penggunaan internal	Ditetapkan	—

TM-U950 Spesifikasi

Metode pencetakan	Matriks benturan titik matriks
Konfigurasi kabel head	Garis vertikal 9-pin, jarak kawat 0,353 mm {1/72"}, diameter kabel 0,29 mm {0,01"}
Arah pencetakan	Dua arah, jarak minimal pencetakan
Lebar pencetakan	Kertas kasir: 61,1 mm {2,41"}; kertas struk: 135,6 mm {5,34"}
Karakter per baris (default)	9 × 9: kertas kasir = 30; kertas struk = 66 7 × 9: kertas kasir = 40; kertas struk = 88
Spasi karakter (default)	9 × 9: 3 titik (titik setengah); 7 × 9: 2 titik (titik setengah)
Kecepatan pencetakan	Kecepatan tinggi — 9 × 9: 233 karakter/detik 7 × 9: 311 karakter/detik
	Kecepatan rendah — 9 × 9: 200 karakter/detik 7 × 9: 267 karakter/detik
Kecepatan umpan kertas	Kira-kira 60,3 ms/baris (umpan 4,23 mm {1/6"}); Kira-kira 86,36 mm/detik {3,4"/detik} umpan bersambung
Spasi baris (default)	4,23 mm {1/6"}
Jumlah karakter	Karakter Alfanumerik: 95; Karakter Internasional: 32 Grafis diperluas: 128 × 9 lembar (termasuk halaman jarak)
Struktur karakter	9 × 9 atau 7 × 9
Kertas kasir (satu lapis)	Ukuran: Lebar: 69,5 ± 0,5 mm {2,74 ± 0,02"} Diameter luar maksimal: 83 mm {3,27"} Diameter dalam kumparan kertas kasir: 10 mm {0,39"} atau lebih
Kertas struk	Normal, salinan karbon, dan peka tekanan
Jumlah salinan untuk struk	Asli + 4 (pada 20 hingga 40°C {68 hingga 104°F}) Asli + 1 hingga 3 salinan (pada 5 hingga 40°C {41 hingga 104°F})
Total ketebalan struk	0,09 hingga 0,36 mm {0,0035 hingga 0,0141"}
Kaset pita	ERC-31
Ukuran penyangga	32 bit atau 2 KB, tergantung pengaturan sakelar DIP
Voltase pasokan^{*1}	+24 VDC ± 10%
Konsumsi arus (pada 24V)	Mencetak kertas tanda terima dan jurnal (40 kolom): Rata-rata: Kira-kira 1,8 A (karakter alfanumerik) Puncak: Kira-kira 8,0 A Mengumpan kertas struk ke posisi mulai mencetak atau pembacaan MICR: Rata-rata: Kira-kira 2,3 A untuk kira-kira. 1,4 detik
Masa pakai	Mekanisme: 7.500.000 baris Kepala cetak: 150 juta karakter Pita: 4.500.000 karakter MICR: 240.000 pembacaan
MTBF	180.000 jam
MCBF	18.000.000 baris
Temperatur	Pengoperasian: 5 hingga 40°C {41 hingga 104°F} Penyimpanan: -10 hingga 50°C {14 hingga 122°F}, kecuali untuk pita
Kelembapan	Pengoperasian: 30 hingga 80% RH Penyimpanan: 30 hingga 90% RH
Dimensi keseluruhan	194,5 × 251 × 298 mm {7,7 × 9,9 × 11,7"} (T × L × P)
Berat (masa)	Kira-kira 5,6 kg {12,3 pon}

*1: Pastikan untuk menggunakan sumber daya yang menerapkan standar keselamatan yang memenuhi spesifikasi berikut.

Nilai output: 24 V/2,0 A atau lebih, Output maksimum: 240 VA atau kurang

Menghubungi Customer Support

Apabila printer tidak beroperasi dengan benar dan Anda tidak dapat menyelesaikan permasalahan dengan menggunakan petunjuk perbaikan ini, sebaiknya Anda menghubungi Layanan “Customer Support” kami.

PT. EPSON INDONESIA

Wisma Kyoei Prince Lt. 16

Jl. Jend Sudirman Kav 3, Jakarta 10220

Help Desk : (021) 5724151, Fax : (021) 5724357

EPSON SUPPORT CENTER :

Jakarta	:	(021)	62301104, 62301103
Bandung	:	(022)	4207033
Surabaya	:	(031)	5355035
Yogyakarta	:	(0274)	581022, 7461560
Medan	:	(061)	4516173, 4516174
Makassar	:	(0411)	328212
Pontianak	:	(0561)	735507
Pekan Baru	:	(0761)	44270

Untuk informasi lebih lengkap, Anda dapat menghubungi website kami:
www.epson.co.id

Printed in Indonesia