

# DM-D Pole Unit for TM 1 Station Printers

# DP-505

## Installation Manual

Copyright© 2000 by Seiko Epson Corporation  
401322700

### Safety Precautions

This document presents important information intended to ensure safe and effective use of this product. Please read this document carefully and store it in an accessible location near your installation.

#### Precaution Headings

This document uses the two headings shown below to call attention to potential hazards. Failure to observe the warnings or cautions provided under these headings may lead to injury or property damage. Be sure that you understand the meaning of each heading before you proceed.



#### **WARNING:**

*Indicates a potentially lethal hazard. Failure to observe a WARNING may result in severe injury or death.*



#### **CAUTION:**

*Cautions must be observed to avoid minor injury to yourself or damage to your equipment.*

#### Safety Precautions



#### **CAUTION:**

- Do not connect cables other than those specified in this manual. Doing so may result in fire or improper operation.
- Be sure to set this product on a firm, stable, horizontal surface. The product may be damaged or cause injury if it falls.
- Do not place heavy objects on top of this product. The product may be damaged and cause injury if it falls.

- ❑ *Do not attach more than one extension support. The product may be damaged or cause injury if it falls.*

### **Meaning of Symbol**

The following symbol is used in this document. Please bear in mind the meaning of the symbol when handling the product.



**Note:**

*Notes have important information and useful tips on the operation of your display.*

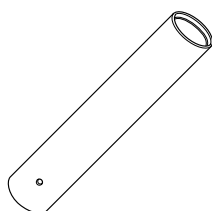
EPSON is registered trademark of Seiko Epson Corporation.

## **Contents**

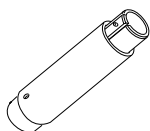
Unpacking .....	3
Cautions on Handling .....	3
Assembling .....	4
Assembling using Velcro tapes .....	4
Assembling using screws .....	8
Specification .....	8

## Unpacking

The following items are in the box.



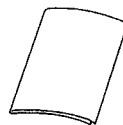
support



extension support



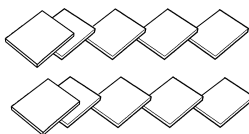
fixing plate



installation manual



fixing screws for  
wooden position



Velcro tapes  
(square type)



Velcro tape  
(round type)

Make sure that you have all the items shown above, and that none has been damaged. If you find anything missing or damaged, please contact your DP-505 dealer.

## Cautions on Handling

When you use the DP-505, be sure to note the following points:

- ❑ Avoid locations that are unstable or are subject to high levels of vibration.
- ❑ When connecting or disconnecting cables, make sure that the power switches of the DM-D customer display (EPSON® DM-D series) and the TM printer connected to the display are turned off.

## ***Assembling***

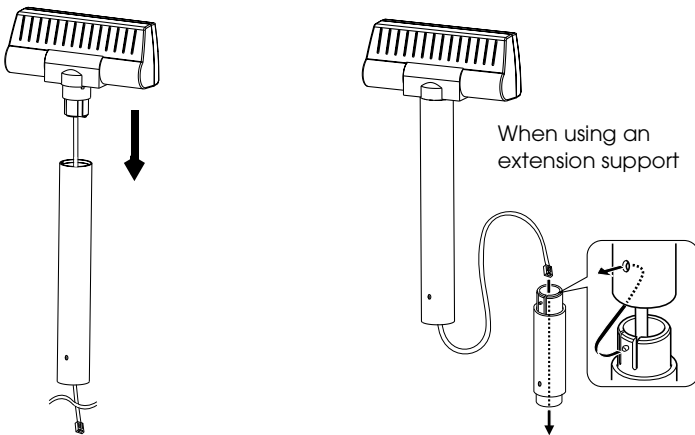
Before assembling this product, you must install the UB-S09 in the TM printer. See the UB-S09 installation manual for installation steps.

### ***Assembling steps using Velcro tapes***

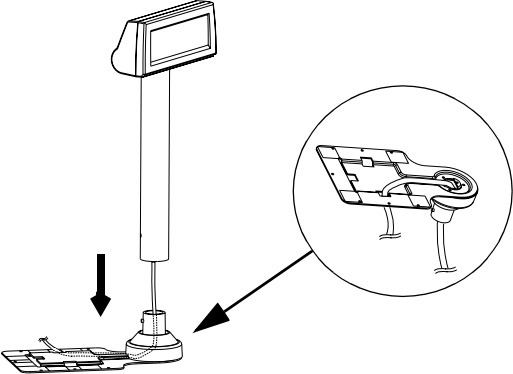
1. Make sure both the printer and the host computer are turned off.
2. Disconnect the DC cable from the printer.

### **CAUTION:**

- *You must disconnect the power supply because electrical current is flowing in some parts of the printer circuit even when the power switch is turned off; otherwise you may damage the UB-S09 and the printer.*
  - *When disconnecting the DC cable, hold the plug firmly. Do not tug on the cord itself.*
3. Pass the cable for the customer display through the support, and attach the support to the display.  
When using the extension support, insert the tab on the extension support into the hole on the support until you feel it click.

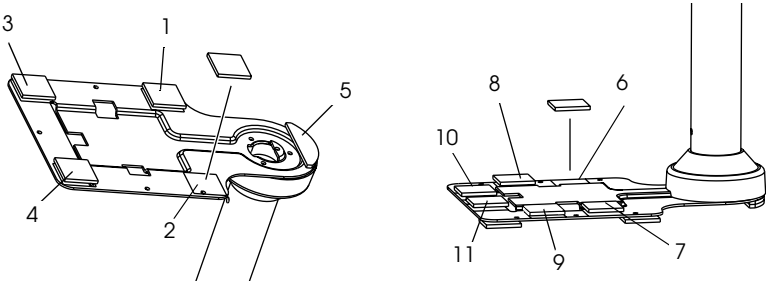


- Pass the cable for the display through the hole on the fixing plate and attach the support to the fixing plate as shown below.

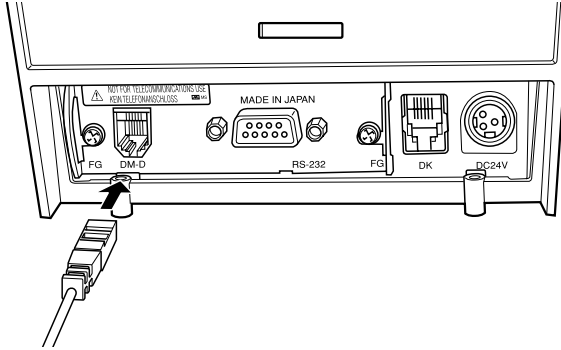


- Peel the backing off of one side of the Velcro tapes and attach the tapes to both faces of the fixing plate. See the table below to find the attaching position for Velcro tapes and the display for your particular printer. (The positioning numbers of Velcro tapes are on the fixing plate.)

Printer type	Positioning number of Velcro tape attachment	Attaching position for display (seen from the front of the printer)
TM-T88II	1 to 9 and 11	Right side
	1 to 11	Left side
TM-U210/ U230	1 to 11	Both sides



6. Peel off the backing on the other side of the Velcro tapes, and stick the fixing plate where you want it to be.
7. Connect the cable for the display to the DC connector on the TM printer (UB-S09) until you feel it click. Store any excess cable in the TM printer, if necessary.



Note: The illustration above shows the TM-T88II printer with the UB-S09 installed.

**⚠ CAUTION:**

*Do not connect this connector to an ordinary telephone line.*

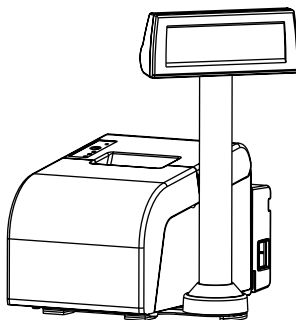
8. Place the TM printer on the fixing plate. Since the forms of the rear side of the printer are different, see the table below for the mounting position for each TM printer.)

Printer type	Mounting positions for TM printers
TM-T88II	Set the printer so that no rubber foot on the rear side of the printer is placed on the Velcro tape.
TM-U210/U230	<ul style="list-style-type: none"><li>• Set the printer so that no rubber foot on the rear side of the printer is placed on the Velcro tape.</li><li>• Set the printer so that the iron plate on the rear side of the printer is placed on the Velcro tapes.</li></ul>



**Note:**

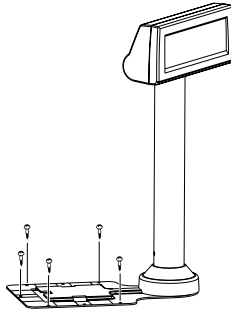
*Place the TM-U230 printer as shown below. (Do not place it vertically.)*



9. Connect the power supply to the TM printer.

## ***Assembling steps using screws***

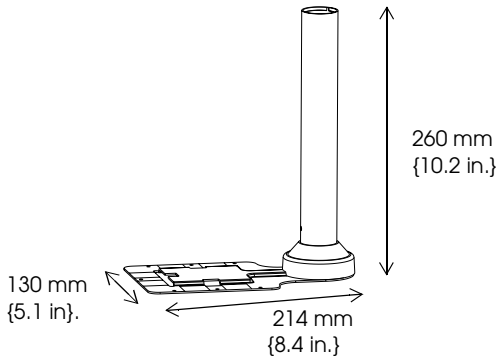
1. Follow steps 1 to 4 in “Assembling steps using Velcro tapes.”
2. Secure the fixing plate where you want it with the fixing screws.



3. Follow steps 7 to 9 in “Assembling steps using Velcro tapes.”

---

## ***General Specifications***



- ❑ Height: 260 mm {10.2 in.}  
(When using the extension support: 385 mm {15.2 in.})
- ❑ Width: 130 mm {5.1 in.}
- ❑ Depth: 214 mm {8.4 in.}
- ❑ Mass: 421 g (When using the extension support: 495 g)