

ET-18100 Series L18050 Series L8050 Series

EN Start Here
TC 安裝說明

EPSON
EXCEED YOUR VISION



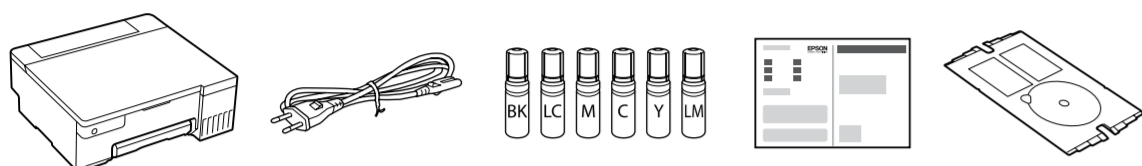
© 2022 Seiko Epson Corporation
Printed in XXXXXX

Read This First

The ink for this printer must be handled carefully. Ink may splatter when the ink tanks are being filled or refilled with ink. If ink gets on your clothes or belongings, it may not come off.

請先閱讀本說明

本印表機使用的墨水必須小心處理。在大容量墨水槽中裝填或填充墨水時，墨水可能會濺出。如果墨水濺到您的衣物或物品上，可能會無法清除乾淨。



Additional items may be included depending on the location. / 視乎不同位置，可能包含額外項目。

The initial ink bottles will be partly used to charge the print head. These bottles may print fewer pages compared to subsequent ink bottles. / 初始墨水瓶中會有部分墨水用於印字頭墨水設定。這些墨水瓶列印的頁數可能少於隨後使用的墨水瓶。

1

Do you have a smart device?
您擁有智慧型裝置嗎?

Yes/是 → **Epson Smart Panel**
Install Epson Smart Panel. This will help you set up the printer even if you use the printer with a computer.
安裝 Epson Smart Panel。儘管您將印表機搭配電腦使用，它可協助您設定印表機。

No/否 → **Go to section 2.**
前往第 2 節。

Hold down the power button until it flashes. Then use your smart device to complete the rest of the setup process.
按住 開機 鍵直到其閃爍。然後使用您的智慧型裝置完成其餘設定流程。

Epson Smart Panel ?

You can set up the printer while watching instructions on your smart device. By using the app, you can remotely control the printer on your smart device or perform more diverse printing through the app.
您可一邊在智慧型裝置上觀看操作說明，一邊設定印表機。透過使用此應用程式，您可在您的智慧型裝置上遠端控制印表機或透過應用程式執行更多樣的列印。

2

Follow these instructions if you selected "No" in section 1 — 如果您您在 1 — 節選取「否」，請遵循這些操作說明。

1

2

Make sure that the color of the ink tank matches the ink color that you want to fill.
確保大容量墨水槽的顏色與您要填充的墨水顏色匹配。

3

- Remove the cap while keeping the ink bottle upright; otherwise ink may leak.
- Use the ink bottles that came with your printer.
- Epson cannot guarantee the quality or reliability of non-genuine ink. The use of non-genuine ink may cause damage that is not covered by Epson's warranties.
- 保持墨水瓶直立，取下瓶蓋；否則墨水將洩漏。
- 使用印表機隨附的墨水瓶。
- Epson 不保證非原廠墨水的品質或可靠性。使用非原廠墨水可能導致 Epson 保固範圍內的損壞。

4

Check the upper line in the ink tank.
檢查大容量墨水槽內的最高標示線。

Upper line
最高標示線

5

Insert the ink bottle straight into the port to fill ink to the upper line.
將墨水瓶徑直插入填充口以填充墨水至最高標示線。

6

When the ink reaches the upper line of the tank, pull out the bottle.
當墨水達到大容量墨水槽的最高標示線時，拔出墨水瓶。

If any ink remains in the ink bottle, tighten the cap and store the bottle upright for later use.
如果墨水瓶內剩餘任何墨水，請擰緊瓶蓋並直立存放墨水瓶以供將來使用。

7

8

9

10

- When you insert the ink bottle into the filling port for the correct color, ink starts pouring and the flow stops automatically when the ink reaches the upper line.
- If the ink does not start flowing into the tank, remove the ink bottle and reinsert it. However, do not remove and reinsert the ink bottle when the ink has reached the upper line; as doing so may cause ink to leak or damage the printer when the ink rises above the upper line.
- Ink may remain in the bottle. The remaining ink can be used later.
- Do not leave the ink bottle inserted; otherwise the bottle may be damaged or ink may leak.
- 當您將墨水瓶插入正確顏色的填充口時，墨水開始流入，當墨水達到最高標示線時，會自動停止流入。
- 如果墨水未開始流入大容量墨水槽，請取出墨水瓶並重新插入墨水瓶。然而，在墨水已達到最高標示線時，請勿取出和插入墨水瓶，因為這麼做可能會在墨水高於最高標示線時，導致墨水滲漏或損壞印表機。
- 墨水可能剩餘在墨水瓶中。剩餘的墨水可稍後使用。
- 請勿讓墨水瓶維持插入狀態；否則墨水瓶可能會損壞或墨水可能會漏出。

11

Confirm that the tanks are filled with ink, and then hold down the power button for 5 seconds to start charging ink. Charging ink takes about 7 minutes.
確認墨水槽已填充墨水，然後按住 開機 鍵 5 秒以開始填充墨水。填充墨水需要約 7 分鐘。

Off. 熄滅。 → Flashing. 閃爍。 → On. 亮起。

Flashing. 閃爍。 → On. 亮起。

12

Load A4 size plain paper at the center of the paper support with the printable side facing up.
將 A4 尺寸的普通紙裝入紙張支撐板中央，並以可列印面向上。

13

Press the power button to turn off the printer.
按下 開機 鍵以關閉印表機。

14

Print a nozzle check pattern to check if the print head nozzles are clogged.
列印噴嘴檢查圖案以查看噴嘴是否堵塞。

Flashing alternately. 交替閃爍。 → On. 亮起。

15

The nozzle check pattern is printed. Check the printed pattern to see if the print head nozzles are clogged.
將列印噴嘴檢查圖案。檢查列印的圖案以查看印字頭噴嘴是否堵塞。

16

Run the print head cleaning. Print head cleaning uses some ink from all ink tanks.
執行印字頭清潔。清潔印字頭時，將使用所有大容量墨水槽中的一些墨水。

Off. 熄滅。 → Flashing. 閃爍。 → On. 亮起。

Flashing. 閃爍。 → On. 亮起。

17

Visit the website to install software and configure the network. When this is complete, the printer is ready for use.
瀏覽網站以安裝軟體和組態網路。完成此操作後，印表機已做好使用準備。

While holding down ①, press ② to turn on the printer.
按住 ① 時，按下 ② 以開啟印表機。

ET-18100 Series
<https://epson.sn/18100>

L18050 Series
<https://epson.sn/18050>

L8050 Series
<https://epson.sn/8050>

Guide to Control Panel

Buttons and Functions

	Turns the printer on or off.
	Clears a network error. Hold down for 5 seconds or more to make network settings using the WPS push button.
	Prints a network connection report to determine the causes of any network problems. To get more information, hold this button down for more than 5 seconds to print a network status sheet.
	Stops the current operation. Hold this button down for 5 seconds until the button flashes to run print head cleaning.
	PIN Code Setup (WPS): Hold down the Wi-Fi and buttons simultaneously to start PIN Code Setup (WPS).
	Wi-Fi Direct (Simple AP) Setup: Hold down the Wi-Fi and buttons simultaneously to start Wi-Fi Direct (Simple AP) Setup.
	Disable Network Service: Turn the printer on while holding down the Wi-Fi button to disable Epson Connect settings.
	Restore Default Network Settings: Turn the printer on while holding down the button to restore the default network settings. When the network settings are restored, the and lights flash alternately and then turn off.
	Print Nozzle Check Pattern: Turn the printer on while holding down the button to print the nozzle check pattern.

Reading the Indication Lights

: Off : On : Flashing

Normal Status	
	The printer is connected to a wireless (Wi-Fi) network.
	The printer is connected to a network in Wi-Fi Direct (Simple AP) mode.
Error Status	
	Wi-Fi connection error has occurred. Press the Wi-Fi button to clear the error and try again.
	No paper is loaded or more than one sheet has been fed at a time. Also, if this indicator light is on when printing a disc or PVC ID card, insert the disc/ID card tray correctly. After loading paper or inserting the disc/ID card tray correctly, press the button.
	A paper jam has occurred or the disc or PVC ID card has not been placed on the disc/ID card tray correctly. After removing the paper or replacing the disc or PVC ID card, press the button. If a paper jam occurs, see the "Clearing Paper Jam" section. If the indicator light continues flashing, see the jammed paper section from "Solving Problems" in the <i>User's Guide</i> .
	Initial ink charging may not be complete. See section 2 on the front page to complete initial ink charging.
	A maintenance box is nearing the end of its service life. The light continues to flash until the maintenance box is replaced. You can continue printing until the and lights flash alternately.
	The printer was not turned off correctly. Press the button to clear the error. We recommend performing a nozzle check because the nozzles may have dried or clogged. To turn off the printer, make sure you press the button.
	Flashing simultaneously: An ink pad is nearing or at the end of its service life. The ink pad needs to be replaced. Contact Epson or an authorized Epson service provider to replace the ink pad. Ink pads are not user-serviceable parts. Check the message displayed on the computer, and then press the button to clear the error or to continue cleaning. If the ink pad has reached the end of its service life, you can no longer perform cleaning. Printing can be performed but the quality of the printouts cannot be guaranteed. Flashing alternately: A borderless printing ink pad is nearing or at the end of its service life. Borderless printing is not available, but printing with a border is available. To replace the borderless printing ink pad, contact Epson or an authorized Epson service provider.
	Transportation lock is locked. After unlocking the transportation lock, press the button.
	Flashing alternately: A maintenance box is at the end of its service life. Replace the maintenance box, and then press the button to continue printing. To replace a maintenance box, see the <i>User's Guide</i> .
	The output tray has not been slid out. Slide out the tray.
	The printer has started in recovery mode because the firmware update failed. For more details, see the error indicator table from "Solving Problems" in the <i>User's Guide</i> .
	A printer error has occurred. Remove any paper inside the printer. Turn the power off and on again. If the error continues to occur after turning the power off and on again, contact Epson support.

控制面板說明

按鍵與功能

	開啟或關閉印表機的電源。
	清除網路錯誤。按住 5 秒以上可使用 WPS 按鍵進行網路設定。
	列印網路連線報告，以確定任何網路問題的原因。若要取得更多資訊，請按住此按鍵 5 秒以上以列印網路狀態表。
	停止目前的操作。按住此按鍵 5 秒直到 按鍵閃爍，可執行印字頭清潔。
	PIN 碼設定 (WPS): 同時按住 Wi-Fi 和 鍵以開始 PIN 碼設定 (WPS)。
	Wi-Fi Direct (Simple AP) 設定: 同時按住 Wi-Fi 和 鍵以開始 Wi-Fi Direct (Simple AP) 設定。
	禁用網路服務: 開啟印表機時同時按住 Wi-Fi 鍵以禁用 Epson Connect 設定。
	復原預設網路設定: 按住 鍵時開啟印表機以復原預設網路設定。 復原網路設定時， 和 指示燈會交替閃爍，然後熄滅。
	列印噴嘴檢查圖案: 按住 鍵時開啟印表機以列印噴嘴檢查圖案。

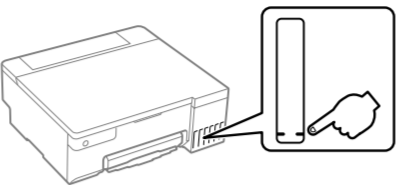
讀取指示燈

: 熄滅 : 亮起 : 閃爍

正常狀態	
	印表機已連接至無線 (Wi-Fi) 網路。
	印表機已連線至處於 Wi-Fi Direct (Simple AP) 模式下的網路。
錯誤狀態	
	發生 Wi-Fi 連線錯誤。按下 Wi-Fi 鍵以清除錯誤，然後重新嘗試。
	未裝入紙張或一次裝入多張紙張。此外，如果此指示燈在列印磁碟或 PVC ID 卡時亮起，請正確插入磁碟/ID 卡。 正確裝入紙張或插入磁碟/ID 卡後，請按下 鍵。
	發生夾紙或磁碟或 PVC ID 卡未正確放在磁碟/ID 卡托盤上。取出紙張或更換磁碟或 PVC ID 卡後，請按下 鍵。 如果發生夾紙，請參閱「清除夾紙」部分。若指示燈持續閃爍，請參閱進階使用說明的「解決問題」中關於夾紙的章節。
	初次墨水填充可能未完成。參閱正面第 2 節以瞭解如何完成初次墨水填充。
	維護盒的使用壽命即將結束或已結束。指示燈持續閃爍，直到更換維護盒。 您可以繼續列印，直到 和 指示燈交替閃爍。
	印表機未正確關閉。按下 鍵以清除錯誤。建議您執行噴嘴檢查，因為噴嘴可能已變乾或阻塞。 若要關閉印表機，請務必按 按鈕。
	同時閃爍：集墨棉的使用壽命即將結束或已結束。 集墨棉需要更換。請聯絡 Epson 或授權的 Epson 服務提供商以更換集墨棉。集墨棉不是使用者可維護的零件。 交替閃爍：無邊列印集墨棉的使用壽命即將結束或已結束。無法使用無邊列印，但可使用有邊列印。 若要更換無邊列印集墨棉，請聯絡 Epson 或 Epson 授權服務供應商。
	運輸鎖被鎖定。 解除運輸鎖的鎖定後，按下 鍵。
	交替閃爍：維護盒的使用壽命結束。更換維護盒，然後按下 鍵以繼續列印。若要更換維護盒，請參閱進階使用說明。
	出紙匣未滑出。 滑出出紙匣。
	印表機因軟體更新失敗而開始進入復原模式。 如需詳細資訊，請參閱進階使用說明內「解決問題」中的錯誤指示燈表。
	發生印表機錯誤。取出印表機內的任何紙張。關閉電源，然後重新開啟。若重新開啟電源後仍出現錯誤，請洽 Epson 授權服務中心。

Checking Ink Levels and Refilling Ink / 檢查墨水及填充墨水

Check the ink levels. If any of the ink levels are below the lower line, see steps ① to ④ in section 2 to refill the tank.
檢查墨水。如果任何墨水存量低於最低標示線，請參閱第 2 節內的步驟 ① 至 ④ 以重新填充大容量墨水槽。



To confirm the actual ink remaining, visually check the ink levels in all of the printer's tanks. Prolonged use of the printer when the ink level is below the lower line could damage the printer.
若要確認實際的剩餘墨水，請目視檢查印表機的所有大容量墨水槽的墨水。若在墨水存量低於最低標示線時繼續使用印表機，可能導致印表機損壞。

若要確認實際的剩餘墨水，請目視檢查印表機的所有大容量墨水槽的墨水。若在墨水存量低於最低標示線時繼續使用印表機，可能導致印表機損壞。

Ink Bottle Codes / 墨水瓶編碼

For Europe / 對於歐洲

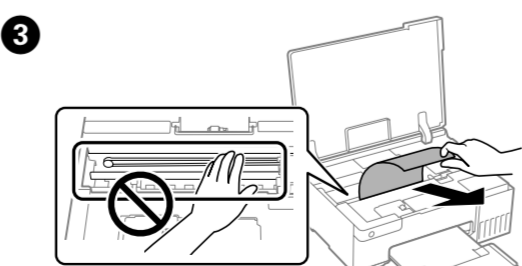
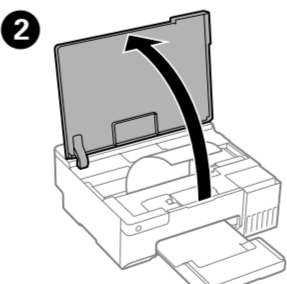
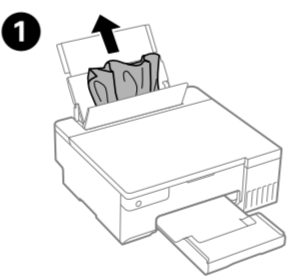
	BK	LC	M	C	Y	LM
ET-18100 Series				107		
L18050 Series / L8050 Series				108		

For Asia / 對於亞洲

	BK	LC	M	C	Y	LM
				057		

Use of genuine Epson ink other than the specified ink could cause damage that is not covered by Epson's warranties.
若使用指定墨水以外的 Epson 原廠墨水，可能導致不在 Epson 保固範圍內的損壞。

Clearing Paper Jam / 清除夾紙



Troubleshooting / 故障排除

See the online *User's Guide* for detailed information. This provides you with operating, safety, and troubleshooting instructions such as clearing paper jams or adjusting print quality. You can obtain the latest versions of all guides from the following website.

若需詳細資訊，請參考進階使用說明。這將為您提供操作、安全和故障排除操作說明，例如清除夾紙或調整列印品質。您可從以下網站獲取所有最新版指南。

ET-18100 Series



<https://epson.sn/18100>

L18050 Series



<https://epson.sn/18050>

L8050 Series



<https://epson.sn/8050>

Support / 支援

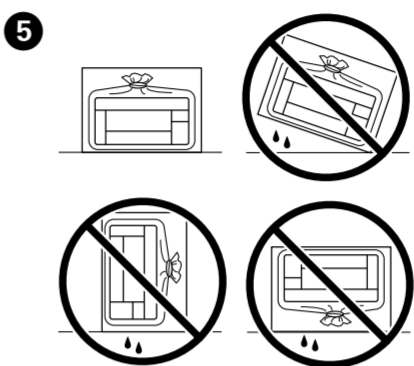
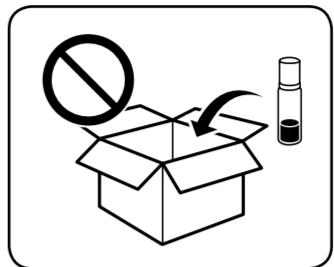
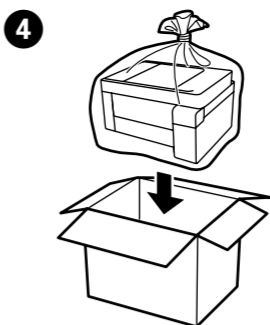
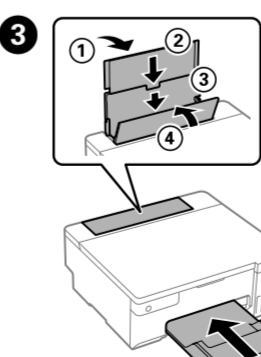
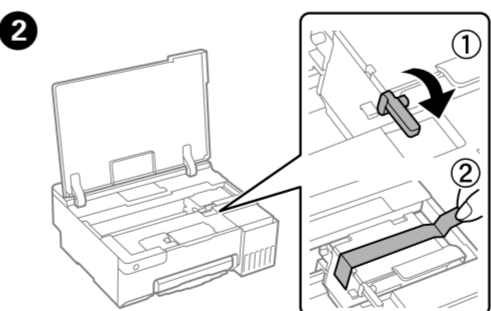
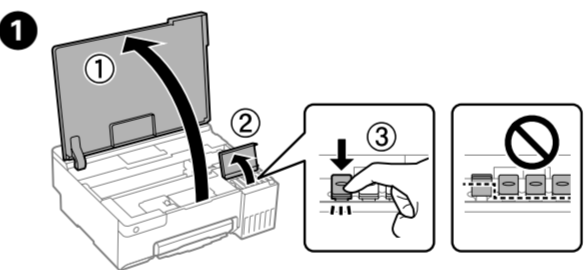
For outside Europe / 對於歐洲以外

<http://support.epson.net/>

For Europe / 對於歐洲

<http://www.epson.eu/support>

Storing and Transporting / 存放及搬運



- Be sure to keep the ink bottle upright when tightening the cap. Place the printer and the bottle in a plastic bag separately and transport it. Otherwise ink may leak.
- When using the printer again after transporting, remove the tape securing the print head.
- If print quality has declined the next time you print, clean and align the print head.
- 務必在鎖緊瓶蓋時使墨水瓶保持直立。將印表機和墨水瓶分別放入袋中。存放及搬運時，請使印表機保持在水平狀態，否則墨水可能會滲出。
- 當運輸後再次使用印表機時，請取下用於穩固印字頭的膠帶。
- 如果下次列印時發現列印品質降低，請清潔或校正印字頭。

Information for Users in Taiwan Only / 此資訊僅適用於台灣地區

L18050 / L8050

- 產品名稱：彩色噴墨印表機
- 額定電壓：AC 100-240 V
- 額定頻率：50-60 Hz
- 耗電量：
 - 列印時：約 19 W
 - 就緒模式：約 4.4 W
 - 睡眠模式：約 0.6 W
 - 關機模式：約 0.2 W
- 額定電流：0.5-0.3 A
- 製造年份、製造號碼和生產國別：見機體標示

繁體

檢修本產品之前，請先拔掉本產品的電源線。

- 功能規格
 - 列印方式：微針點壓電噴墨技術
 - 解析度：最大可達 5760 x 1440 dpi
 - 適用系統：
 - Windows Vista*, Windows* 7, Windows 8/8.1, Windows 10, Windows 11以上版本
 - Windows XP SP3(32-bit)
 - Windows XP Professional x64 Edition SP2
 - Windows Server* 2003(SP2)以上版本*
 - (* 僅限印表機驅動程式。)
 - Mac OS X 10.9.5以上版本, macOS 11以上版本

使用方法

請參閱線上使用手冊

緊急處理方法

發生下列狀況時，請先拔下印表機的電源線並洽詢Epson授權服務中心：

- 電源線或插頭損壞
- 有液體噴灑到印表機
- 印表機摔落或機械損壞
- 印表機無法正常操作或是列印品質與原來有明顯落差

製造商：SEIKO EPSON CORPORATION
地址：3-5, Owa 3-chome, Suwa-shi, Nagano-ken 392-8502 Japan
電話：81-266-52-3131
進口商：台灣愛普生科技股份有限公司
地址：台北市信義區松仁路 100 號 15 樓
電話：(02) 8766-6688 (代表號)

注意事項

- 只能使用印表機標籤上所註明的電源規格。
- 請保持工作場所的通風良好。

「限用物質含有情況」標示內容，請至下列網址查詢。

URL：http://www.epson.com.tw/TW_RoHS

NCC審請

取得審驗證明之低功率射頻器材，非經核准，公司、商號或使用者均不得擅自變更頻率、加大功率或變更原設計之特性及功能。
低功率射頻器材之使用不得影響飛航安全及干擾合法通信；經發現有干擾現象時，應立即停用，並改善至無干擾時方得繼續使用。
前述合法通信，指依電信管理法規規定作業之無線電通信。
低功率射頻器材須忍受合法通信或工業、科學及醫療用電波輻射性電機設備之干擾。

General Notice: Other product names used herein are for identification purposes only and may be trademarks of their respective owners. Epson disclaims any and all rights in those marks.

Maschinenlärminformations-Verordnung 3. GPSGV: Der höchste Schalldruckpegel beträgt 70 dB(A) oder weniger gemäss EN ISO 7779.

Das Gerät ist nicht für die Benutzung im unmittelbaren Gesichtsfeld am Bildschirmarbeitsplatz vorgesehen. Um störende Reflexionen am Bildschirmarbeitsplatz zu vermeiden, darf dieses Produkt nicht im unmittelbaren Gesichtsfeld platziert werden.

Дня пользования этой техникой срок службы: 5 лет.

AEEE Yönetimlerine Uygundur.

Ürünün Sanayi ve Ticaret Bakanlığına tespit ve ilan edilen kullanma ömrü 5 yıldır.

Tüketicilerin şikayet ve itirazları konusunda bilgi ve sorularını tüketici mahkemelerine ve tüketici hakem heyetlerine yönlendirebilirsiniz.

Üretici: SEIKO EPSON CORPORATION
Adres: 3-5, Owa 3-chome, Suwa-shi, Nagano-ken 392-8502 Japan
Tel: 81-266-52-3131
Web: <http://www.epson.com/>

The contents of this manual and the specifications of this product are subject to change without notice.

