

User's Guide

Copyright

No part of this publication may be reproduced, stored in a retrieval system, or transmitted in any form or by any means, electronic, mechanical, photocopying, recording, or otherwise, without the prior written permission of Seiko Epson Corporation. No patent liability is assumed with respect to the use of the information contained herein. Neither is any liability assumed for damages resulting from the use of the information herein. The information contained herein is designed only for use with this Epson printer. Epson is not responsible for any use of this information as applied to other printers.

Neither Seiko Epson Corporation nor its affiliates shall be liable to the purchaser of this product or third parties for damages, losses, costs, or expenses incurred by the purchaser or third parties as a result of accident, misuse, or abuse of this product or unauthorized modifications, repairs, or alterations to this product, or (excluding the U.S.) failure to strictly comply with Seiko Epson Corporation's operating and maintenance instructions.

Seiko Epson Corporation and its affiliates shall not be liable for any damages or problems arising from the use of any options or any consumable products other than those designated as Original Epson Products or Epson Approved Products by Seiko Epson Corporation.

Seiko Epson Corporation shall not be held liable for any damage resulting from electromagnetic interference that occurs from the use of any interface cables other than those designated as Epson Approved Products by Seiko Epson Corporation.

© 2016 Seiko Epson Corporation. All rights reserved.

The contents of this manual and the specifications of this product are subject to change without notice.

Trademarks

Trademarks

- ❑ EPSON® is a registered trademark, and EPSON EXCEED YOUR VISION or EXCEED YOUR VISION is a trademark of Seiko Epson Corporation.
- ❑ PRINT Image Matching™ and the PRINT Image Matching logo are trademarks of Seiko Epson Corporation. Copyright © 2001 Seiko Epson Corporation. All rights reserved.
- ❑ EPSON Scan software is based in part on the work of the Independent JPEG Group.
- ❑ libtiff

Copyright © 1988-1997 Sam Leffler

Copyright © 1991-1997 Silicon Graphics, Inc.

Permission to use, copy, modify, distribute, and sell this software and its documentation for any purpose is hereby granted without fee, provided that (i) the above copyright notices and this permission notice appear in all copies of the software and related documentation, and (ii) the names of Sam Leffler and Silicon Graphics may not be used in any advertising or publicity relating to the software without the specific, prior written permission of Sam Leffler and Silicon Graphics.

THE SOFTWARE IS PROVIDED "AS-IS" AND WITHOUT WARRANTY OF ANY KIND, EXPRESS, IMPLIED OR OTHERWISE, INCLUDING WITHOUT LIMITATION, ANY WARRANTY OF MERCHANTABILITY OR FITNESS FOR A PARTICULAR PURPOSE.

IN NO EVENT SHALL SAM LEFFLER OR SILICON GRAPHICS BE LIABLE FOR ANY SPECIAL, INCIDENTAL, INDIRECT OR CONSEQUENTIAL DAMAGES OF ANY KIND, OR ANY DAMAGES WHATSOEVER RESULTING FROM LOSS OF USE, DATA OR PROFITS, WHETHER OR NOT ADVISED OF THE POSSIBILITY OF DAMAGE, AND ON ANY THEORY OF LIABILITY, ARISING OUT OF OR IN CONNECTION WITH THE USE OR PERFORMANCE OF THIS SOFTWARE.

- ❑ SDXC Logo is a trademark of SD-3C, LLC.



- ❑ PictBridge is a trademark.

For the XP-760 Series/XP-820 Series/XP-860 Series



For the XP-720 Series



Trademarks

- ❑ Microsoft®, Windows®, and Windows Vista® are registered trademarks of Microsoft Corporation.
- ❑ Apple, Macintosh, Mac OS, OS X, Bonjour, Safari, iPad, iPhone, iPod touch, and iTunes are trademarks of Apple Inc., registered in the U.S. and other countries. AirPrint and the AirPrint logo are trademarks of Apple Inc.
- ❑ Google Cloud Print™, Chrome™, Chrome OS™, and Android™ are trademarks of Google Inc.
- ❑ Adobe, Adobe Reader, Acrobat, and Photoshop are trademarks of Adobe systems Incorporated, which may be registered in certain jurisdictions.
- ❑ ABBYY® and ABBYY FineReader® names and logos are registered trademarks of ABBYY Software House.
- ❑ Intel® is a registered trademark of Intel Corporation.
- ❑ General Notice: Other product names used herein are for identification purposes only and may be trademarks of their respective owners. Epson disclaims any and all rights in those marks.

Contents

Copyright

Trademarks

About This Manual

Introduction to the Manuals.	9
Marks and Symbols.	9
Descriptions Used in this Manual.	9
Operating System References.	10

Important Instructions

Safety Instructions.	11
Printer Advisories and Warnings.	12
Advisories and Warnings for Setting Up/ Using the Printer.	12
Advisories and Warnings for Using the Printer with a Wireless Connection.	13
Advisories and Warnings for Using Memory Cards.	13
Advisories and Warnings for Using the Touchscreen.	13
Protecting Your Personal Information.	13

Printer Basics

Part Names and Functions.	14
Control Panel.	18
Buttons.	18
Guide to the LCD Screen.	18
Menu Options.	20
Copy Mode.	20
Print Photos Mode.	22
Scan Mode.	23
Fax Mode (Fax-capable printers only).	24
Quiet Mode.	26
More Functions Mode.	26
Setup Mode.	32
Help Mode.	37

Loading Paper

Paper Handling Precautions.	38
Available Paper and Capacities.	39
List of Paper Types.	40
Loading Paper in the Paper Cassette 1.	41

Loading Paper in the Paper Cassette 2.	44
Loading Paper in the Rear Paper Feed Slot.	48

Placing Originals

Placing Originals on the Scanner Glass.	52
Available Originals for the ADF (ADF-equipped Printers Only).	54
Placing Originals on the ADF (ADF-equipped Printers Only).	54

Inserting a Memory Card

Supported Memory Cards.	57
Inserting and Removing a Memory Card.	57

Loading a CD/DVD for Printing

Printable CD/DVDs.	60
CD/DVD Handling Precautions.	60
Loading a CD/DVD.	60
Removing a CD/DVD.	62

Printing

Printing from the Control Panel.	64
Printing Photos by Selecting from a Memory Card.	64
Printing Photos from a Memory Card onto a CD/DVD Label.	65
Printing Photos from a Memory Card with Handwritten Notes.	66
Printing Original Writing Paper and Calendars.	68
Printing Original Envelopes.	69
Printing Photos Using Other Features.	70
Printing from a Computer.	71
Printing Basics - Windows.	71
Printing Basics - Mac OS X.	73
Printing on 2-Sides.	76
Printing Several Pages on One Sheet.	78
Printing to Fit the Paper Size.	79
Printing Multiple Files Together (for Windows Only).	81
Enlarged Printing and Making Posters (for Windows Only).	82
Printing Using Advanced Features.	88
Printing Photos Using Epson Easy Photo Print.	90
Printing a CD/DVD Label with Epson Print CD.	91

Contents

Printing from Smart Devices.	91	Printing Fax Report and List.	122
Using Epson iPrint.	91	Reprinting Received Faxes.	122
Using AirPrint.	93		
Printing from a Digital Camera.	93	Replacing Ink Cartridges	
Printing from a Digital Camera Connected by USB Cable.	94	Checking the Ink Levels.	124
Printing from a Digital Camera Connected Wirelessly.	94	Checking the Ink Levels - Control Panel.	124
Canceling Printing.	95	Checking the Ink Levels - Windows.	124
Canceling Printing - Printer Button.	95	Checking the Ink Levels - Mac OS X.	124
Canceling Printing - Windows.	95	Ink Cartridge Codes.	124
Canceling Printing - Mac OS X.	96	Ink Cartridge Handling Precautions.	125
		Replacing Ink Cartridges.	127
		Temporarily Printing with Black Ink.	131
		Temporarily Printing with Black Ink - Windows	132
		Temporarily Printing with Black Ink - Mac OS X.	133
		Conserving Black Ink when the Black Ink Is Low (for Windows Only).	134
		Improving Print and Scan Quality	
		Checking and Cleaning the Print Head.	136
		Checking and Cleaning the Print Head - Control Panel.	136
		Checking and Cleaning the Print Head - Windows.	137
		Checking and Cleaning the Print Head - Mac OS X.	137
		Aligning the Print Head.	138
		Aligning the Print Head - Control Panel.	138
		Aligning the Print Head - Windows.	138
		Aligning the Print Head - Mac OS X.	139
		Cleaning the Paper Path.	139
		Cleaning the Scanner Glass.	139
		Cleaning the ADF (ADF-equipped Printers Only).	140
		Applications and Network Service Information	
		Epson Connect Service.	144
		Web Config.	144
		Running Web Config on a Web Browser.	144
		Running Web Config on Windows.	145
		Running Web Config on Mac OS X.	145
		Necessary Applications.	145
		Windows Printer Driver.	145
		Mac OS X Printer Driver.	149
		EPSON Scan (Scanner Driver).	152
		Epson Event Manager.	152
		PC-FAX Driver (Fax Driver).	153
Printing from Smart Devices.	91		
Using Epson iPrint.	91		
Using AirPrint.	93		
Printing from a Digital Camera.	93		
Printing from a Digital Camera Connected by USB Cable.	94		
Printing from a Digital Camera Connected Wirelessly.	94		
Canceling Printing.	95		
Canceling Printing - Printer Button.	95		
Canceling Printing - Windows.	95		
Canceling Printing - Mac OS X.	96		
Copying			
Copying Basics.	97		
Copying Photos.	97		
Copying on a CD/DVD Label.	98		
Scanning			
Scanning Using the Control Panel.	100		
Scanning to a Memory Card.	100		
Scanning to the Cloud.	100		
Scanning to a Computer.	100		
Scanning to a Computer (WSD).	101		
Scanning from a Computer.	102		
Scanning Basics.	102		
Scanning Using Advanced Features.	103		
Scanning from Smart Devices.	107		
Faxing (Fax-capable printers only)			
Setting Up a Fax.	109		
Connecting to a Phone Line.	109		
Checking Whether you can use the Fax.	111		
Making Basic Fax Settings.	111		
Registering Recipients of Faxes to a Contact List.	113		
Sending Faxes.	114		
Basic Fax Sending Operations.	114		
Various Ways of Sending Faxes.	116		
Receiving Faxes.	118		
Receiving Faxes Automatically.	118		
Receiving Faxes Manually.	119		
Receiving Faxes Using a Connected Telephone (Remote Receive).	119		
Receiving Faxes by Polling.	120		
Saving Received Faxes.	120		
Using Other Faxing Features.	122		

Contents

FAX Utility.	153	Printing Is Too Slow.	174
Epson Easy Photo Print.	153	Cannot Start Scanning.	174
Epson Print CD.	154	Cannot Start Scanning when Using the	
E-Web Print (for Windows Only).	154	Control Panel.	175
Easy Photo Scan.	154	Scanned Image Problems.	175
EPSON Software Updater.	155	Scan Quality Is Poor.	175
Uninstalling Applications.	155	Characters Are Blurred.	176
Uninstalling Applications - Windows.	155	An Image of the Reverse Side of the Original	
Uninstalling Applications - Mac OS X.	156	Appears in the Scanned Image.	176
Installing Applications.	157	Moire (Cross-Hatch) Patterns Appear in the	
Updating Applications and Firmware.	157	Scanned Image.	176
		Scanning Area or Direction Is Not Correct.	177
		The Scanned Image Problem Could Not be	
		Cleared.	177
Solving Problems		Other Scanning Problems.	178
Checking the Printer Status.	158	Cannot Scan in Full Auto Mode in EPSON	
Checking Messages on the LCD Screen.	158	Scan.	178
Checking the Printer Status - Windows.	159	Thumbnail Preview Does Not Work Properly.	178
Checking Printer Status - Mac OS X.	159	Scanning Is Too Slow.	178
Removing Jammed Paper.	160	Scanning Stops when Scanning to PDF/ Multi-TIFF.	178
Removing Jammed Paper from the Paper		Problems when Sending and Receiving Faxes.	178
Cassette.	160	Cannot Send or Receive Faxes.	178
Removing Jammed Paper from Inside the		Cannot Send Faxes.	179
Printer.	161	Cannot Send Faxes to a Specific Recipient.	180
Removing Jammed Paper from the Rear Cover.	162	Cannot Send Faxes at a Specified Time.	180
Removing Jammed Paper from the ADF		Cannot Receive Faxes.	180
(ADF-equipped Printers Only).	164	Memory Full Error Occurs.	181
Paper Does Not Feed Correctly.	166	Sent Fax Quality Is Poor.	181
CD/DVD Tray is Ejected.	167	Faxes Are Sent at the Wrong Size.	181
Original Does Not Feed in the ADF (ADF-		Received Fax Quality Is Poor.	182
equipped Printers Only).	167	Received Faxes Are Not Printed.	182
Power and Control Panel Problems.	167	Other Faxing Problems.	182
Power Does Not Turn On.	167	Cannot Make Calls on the Connected	
Lights Came On and then Went Out.	168	Telephone.	182
Power Does Not Turn Off.	168	Answering Machine Cannot Answer Voice	
Power Turns Off Automatically.	168	Calls.	182
LCD Screen Gets Dark.	168	Sender's Fax Number Not Displayed on	
The Auto Power On Feature does not Work		Received Faxes or the Number Is Wrong.	183
(Except for Fax-capable Printers).	168	Other Problems.	183
Printer Does Not Print.	168	Slight Electric Shock when Touching the	
Printout Problems.	169	Printer.	183
Print Quality Is Poor.	169	Operation Sounds Are Loud.	183
Copy Quality Is Poor.	171	The Date and Time Are Incorrect.	183
An Image of the Reverse Side of the Original		Cannot Save the Data to a Memory Card.	183
Appears in the Copied Image.	171	Application Is Blocked by a Firewall (for	
The Position, Size, or Margins of the Printout		Windows Only).	184
Are Incorrect.	171	"?" Is Displayed on the Photo Selection Screen.	184
Paper Is Smearred or Scuffed.	172		
Printed Characters Are Incorrect or Garbled.	173		
The Printed Image Is Inverted.	173		
The Printout Problem Could Not be Cleared.	174		

Appendix

Technical Specifications. 185

- Printer Specifications. 185
- Scanner Specifications. 186
- Interface Specifications. 186
- Fax Specifications (Fax-capable Printers Only). . 187
- Wi-Fi Specifications. 187
- Ethernet Specifications (Ethernet-compatible printers only). 187
- Security Protocol. 188
- Supported Third Party Services. 188
- External Storage Device Specifications. 188
- Dimensions. 190
- Electrical Specifications. 192
- Environmental Specifications. 194
- System Requirements. 194

Regulatory Information. 194

- Standards and Approvals. 194
- Restrictions on Copying. 196

Transporting the Printer. 196

Accessing a Memory Card From a Computer. . . . 198

Where to Get Help. 199

- Technical Support Web Site. 199
- Contacting Epson Support. 199

About This Manual

Introduction to the Manuals

The latest versions of the following manuals are available from the Epson support website.

<http://www.epson.eu/Support> (Europe)

<http://support.epson.net/> (outside Europe)

Start Here (paper manual)

Provides you with information on setting up the printer and installing the software.

User's Guide (digital manual)

This manual. Provides instructions on using the printer, replacing ink cartridges, maintenance, and solving problems.

Network Guide (digital manual)

Provides information on network settings and solving problems when using the printer on a network.

As well as the manuals above, see the help included in the various Epson software applications.

Marks and Symbols



Caution:

Instructions that must be followed carefully to avoid bodily injury.



Important:

Instructions that must be observed to avoid damage to your equipment.

Note:

Instructions containing useful tips and restrictions on printer operation.

➔ Related Information

Links to related sections.

Descriptions Used in this Manual

- Screenshots of the printer driver and the EPSON Scan (scanner driver) screens are from Windows 8.1 or Mac OS X v10.9.x. The content displayed on the screens varies depending on the model and situation.
- Illustrations of the printer used in this manual are examples only. Although there may be slight differences depending on the model, the method of operation is the same.
- Some of the menu items on the LCD screen vary depending on the model and settings.
- "Fax-capable printer" and "ADF-equipped printer" indicate the XP-820 Series and the XP-860 Series.

About This Manual

- ❑ "Ethernet-compatible printer" indicates the XP-760 Series, the XP-820 Series, and the XP-860 Series.

Operating System References

Windows

In this manual, terms such as "Windows 8.1", "Windows 8", "Windows 7", "Windows Vista", and "Windows XP" refer to the following operating systems. Additionally, "Windows" is used to refer to all versions.

- ❑ Microsoft® Windows® 8.1 operating system
- ❑ Microsoft® Windows® 8 operating system
- ❑ Microsoft® Windows® 7 operating system
- ❑ Microsoft® Windows Vista® operating system
- ❑ Microsoft® Windows® XP operating system
- ❑ Microsoft® Windows® XP Professional x64 Edition operating system

Mac OS X

In this manual, "Mac OS X v10.9.x" refers to "OS X Mavericks" and "Mac OS X v10.8.x" refers to "OS X Mountain Lion". Additionally, "Mac OS X" is used to refer to "Mac OS X v10.9.x", "Mac OS X v10.8.x", "Mac OS X v10.7.x" and "Mac OS X v10.6.x".

Important Instructions

Safety Instructions

Read and follow these instructions to ensure safe use of this printer. Make sure you keep this manual for future reference. Also, be sure to follow all warnings and instructions marked on the printer.



- Some of the symbols used on your printer are to ensure safety and proper use of the printer. Visit the following Web site to learn the meaning of the symbols.
<http://support.epson.net/symbols>
- Use only the power cord supplied with the printer and do not use the cord with any other equipment. Use of other cords with this printer or the use of the supplied power cord with other equipment may result in fire or electric shock.
- Be sure your AC power cord meets the relevant local safety standard.
- Never disassemble, modify, or attempt to repair the power cord, plug, printer unit, scanner unit, or options by yourself, except as specifically explained in the printer's manuals.
- Unplug the printer and refer servicing to qualified service personnel under the following conditions:
The power cord or plug is damaged; liquid has entered the printer; the printer has been dropped or the casing damaged; the printer does not operate normally or exhibits a distinct change in performance. Do not adjust controls that are not covered by the operating instructions.
- Place the printer near a wall outlet where the plug can be easily unplugged.
- Do not place or store the printer outdoors, near excessive dirt or dust, water, heat sources, or in locations subject to shocks, vibrations, high temperature or humidity.
- Take care not to spill liquid on the printer and not to handle the printer with wet hands.
- Keep the printer at least 22 cm away from cardiac pacemakers. Radio waves from this printer may adversely affect the operation of cardiac pacemakers.
- If the LCD screen is damaged, contact your dealer. If the liquid crystal solution gets on your hands, wash them thoroughly with soap and water. If the liquid crystal solution gets into your eyes, flush them immediately with water. If discomfort or vision problems remain after a thorough flushing, see a doctor immediately.
- Avoid using a telephone during an electrical storm. There is a remote risk of electric shock from lightning (for fax capable models).
- Do not use a telephone to report a gas leak in the vicinity of the leak (for fax capable models).
- Be careful when you handle used ink cartridges, as there may be some ink around the ink supply port.
 - If ink gets on your skin, wash the area thoroughly with soap and water.
 - If ink gets into your eyes, flush them immediately with water. If discomfort or vision problems continue after a thorough flushing, see a doctor immediately.
 - If ink gets into your mouth, see a doctor right away.
- Do not disassemble the ink cartridge; otherwise ink may get into your eyes or on your skin.
- Do not shake ink cartridges too vigorously and do not drop them. Also, be careful not to squeeze them or tear their labels. Doing so may cause ink leakage.
- Keep ink cartridges out of the reach of children.

Important Instructions

Printer Advisories and Warnings

Read and follow these instructions to avoid damaging the printer or your property. Make sure you keep this manual for future reference.

Advisories and Warnings for Setting Up/Using the Printer

- Do not block or cover the vents and openings in the printer.
- Use only the type of power source indicated on the printer's label.
- Avoid using outlets on the same circuit as photocopiers or air control systems that regularly switch on and off.
- Avoid electrical outlets controlled by wall switches or automatic timers.
- Keep the entire computer system away from potential sources of electromagnetic interference, such as loudspeakers or the base units of cordless telephones.
- The power-supply cords should be placed to avoid abrasions, cuts, fraying, crimping, and kinking. Do not place objects on top of the power-supply cords and do not allow the power-supply cords to be stepped on or run over. Be particularly careful to keep all the power-supply cords straight at the ends and the points where they enter and leave the transformer.
- If you use an extension cord with the printer, make sure that the total ampere rating of the devices plugged into the extension cord does not exceed the cord's ampere rating. Also, make sure that the total ampere rating of all devices plugged into the wall outlet does not exceed the wall outlet's ampere rating.
- If you plan to use the printer in Germany, the building installation must be protected by a 10 or 16 amp circuit breaker to provide adequate short-circuit protection and over-current protection for the printer.
- When connecting the printer to a computer or other device with a cable, ensure the correct orientation of the connectors. Each connector has only one correct orientation. Inserting a connector in the wrong orientation may damage both devices connected by the cable.
- Place the printer on a flat, stable surface that extends beyond the base of the printer in all directions. The printer will not operate properly if it is tilted at an angle.
- When storing or transporting the printer, avoid tilting it, placing it vertically, or turning it upside down; otherwise ink may leak.
- Allow space above the printer so that you can fully raise the document cover.
- Leave enough space in front of the printer for the paper to be fully ejected.
- Avoid places subject to rapid changes in temperature and humidity. Also, keep the printer away from direct sunlight, strong light, or heat sources.
- Do not insert objects through the slots in the printer.
- Do not put your hand inside the printer during printing.
- Do not touch the white flat cable inside the printer.
- Do not use aerosol products that contain flammable gases inside or around the printer. Doing so may cause fire.
- Do not move the print head by hand; otherwise, you may damage the printer.
- Be careful not to trap your fingers when closing the scanner unit.
- Do not press too hard on the scanner glass when placing the originals.
- Always turn the printer off using the  button. Do not unplug the printer or turn off the power at the outlet until the  light stops flashing.

Important Instructions

- ❑ Before transporting the printer, make sure that the print head is in the home (far right) position and the ink cartridges are in place.
- ❑ If you are not going to use the printer for a long period, be sure to unplug the power cord from the electrical outlet.

Advisories and Warnings for Using the Printer with a Wireless Connection

- ❑ Radio waves from this printer may negatively affect the operation of medical electronic equipment, causing them to malfunction. When using this printer inside medical facilities or near medical equipment, follow directions from the authorized personnel representing the medical facilities, and follow all posted warnings and directions on the medical equipment.
- ❑ Radio waves from this printer may negatively affect the operation of automatically controlled devices such as automatic doors or fire alarms, and could lead to accidents due to malfunction. When using this printer near automatically controlled devices, follow all posted warnings and directions on these devices.

Advisories and Warnings for Using Memory Cards

- ❑ Do not remove a memory card or turn off the printer while the memory card light is flashing.
- ❑ The methods for using memory cards vary according to card type. Be sure to refer to the manual packaged with your memory card for details.
- ❑ Use only memory cards compatible with the printer.

Related Information

- ➔ [“Supported Memory Card Specifications” on page 188](#)

Advisories and Warnings for Using the Touchscreen

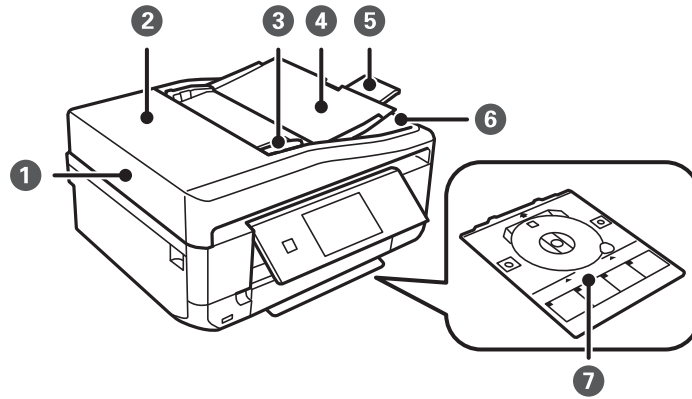
- ❑ The LCD screen may contain a few small bright or dark spots, and because of its features it may have an uneven brightness. These are normal and do not indicate that it is damaged in any way.
- ❑ Only use a dry, soft cloth for cleaning. Do not use liquid or chemical cleaners.
- ❑ The exterior cover of the touchscreen could break if it receives a heavy impact. Contact your dealer if the panel surface chips or cracks, and do not touch or attempt to remove the broken pieces.
- ❑ Press the touchscreen gently with your finger. Do not press force or operate with your nails.
- ❑ Do not use sharp objects such as ball point pens or sharp pencils to perform operations.
- ❑ Condensation inside the touchscreen due to abrupt changes in temperature or humidity may cause performance to deteriorate.

Protecting Your Personal Information

When you give the printer to someone else or dispose of it, erase all the personal information stored in the printer's memory by selecting **Setup > Restore Default Settings > All Settings** on the control panel.

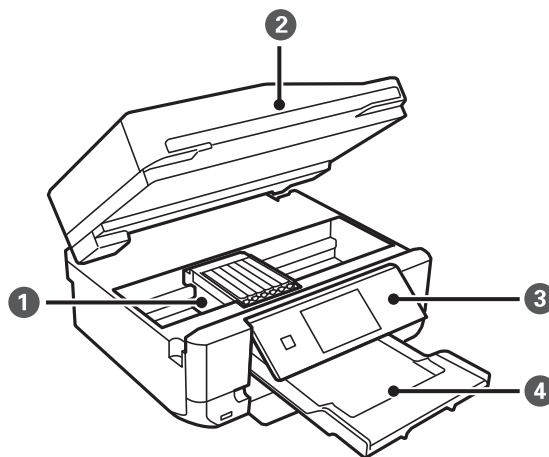
Printer Basics

Part Names and Functions



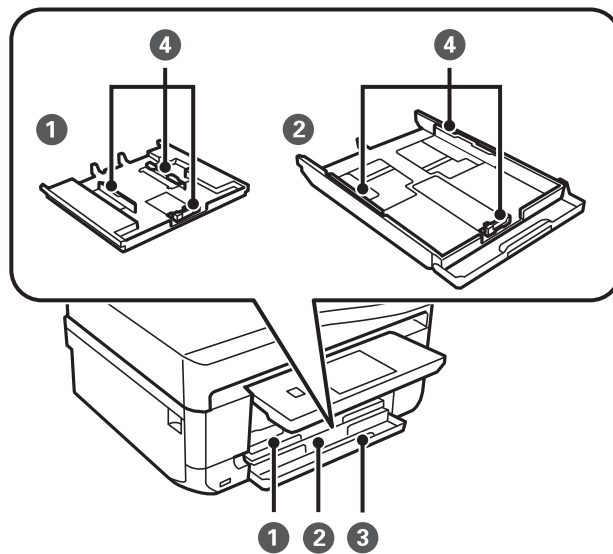
①	ADF (Automatic Document Feeder)*	Feeds originals automatically.
②	ADF cover*	Open when removing originals jammed in the ADF.
③	ADF edge guide*	Feeds originals straight into the printer. Slide to the edges of the originals.
④	ADF input tray*	Supports loaded originals.
⑤	ADF output tray extension*	Holds originals ejected from the ADF. Make sure to extend this when using the ADF.
⑥	ADF output tray*	Holds originals ejected from the ADF.
⑦	CD/DVD tray	Place a CD/DVD for label printing. This should usually be stored on the bottom of the printer.

* ADF-equipped printers only.



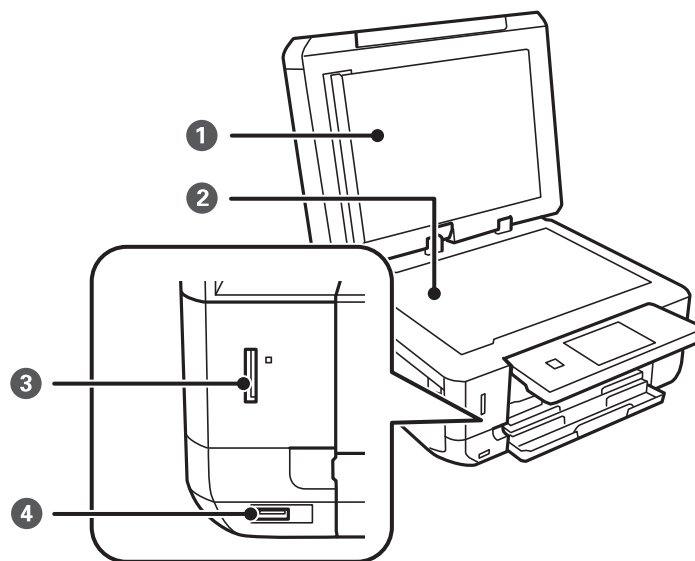
Printer Basics

❶	Ink cartridge holder	Install the ink cartridges. Ink is ejected from the print head nozzles underneath.
❷	Scanner unit	Scans placed originals. Open to replace ink cartridges or to remove jammed paper. This unit should usually be kept closed.
❸	Control Panel	Operates the printer.
❹	Output tray	Holds the ejected paper. When you start printing, this tray is ejected automatically. If you select Yes on the screen displayed when the printer is turned off, it is stored automatically. If it is not stored, push it in with your hand.

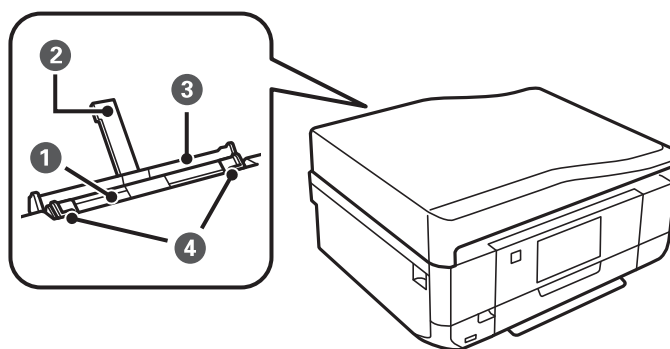


❶	Paper cassette 1	Loads paper.
❷	Paper cassette 2	
❸	Front cover	Open to load paper in the paper cassette.
❹	Edge guide	Feeds the paper straight into the printer. Slide to the edges of the paper.

Printer Basics

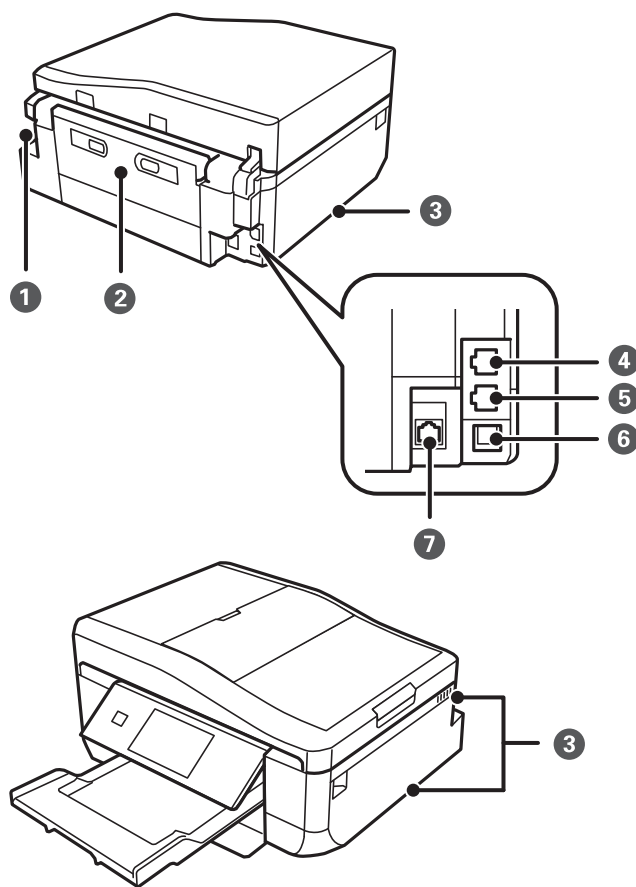


❶	Document cover	Blocks external light while scanning.
❷	Scanner glass	Place the originals.
❸	Memory card slot	Insert a memory card.
❹	External interface USB port	Connects an external storage device or a PictBridge capable device.



❶	Rear paper feed slot	Load one sheet of paper at a time by hand.
❷	Paper support	Supports loaded paper.
❸	Rear paper feed slot cover	Prevents foreign substance from entering the printer. This cover should usually be closed.
❹	Edge guide	Feeds the paper straight into the printer. Slide to the edges of the paper.

Printer Basics



①	AC inlet	Connects the power cord.
②	Rear cover	Remove when removing jammed paper.
③	Vent	Releases heat from the inside of the printer. Vents are on the bottom right, bottom left, and on the right-hand side. Do not cover the vents when placing the printer.
④	LINE port* ¹	Connects a phone line.
⑤	EXT. port* ¹	Connects an external phone device.
⑥	USB port	Connects a USB cable.
⑦	LAN port* ²	Connects a LAN cable.

*1 Fax-capable printers only

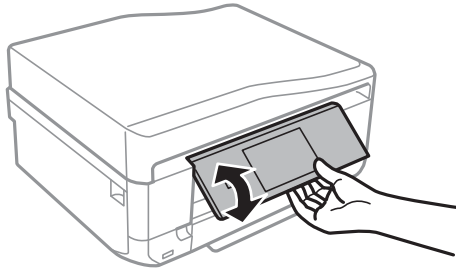
*2 Ethernet-compatible printers only

Related Information

➔ [“Descriptions Used in this Manual” on page 9](#)

Control Panel

You can change the angle of the control panel.

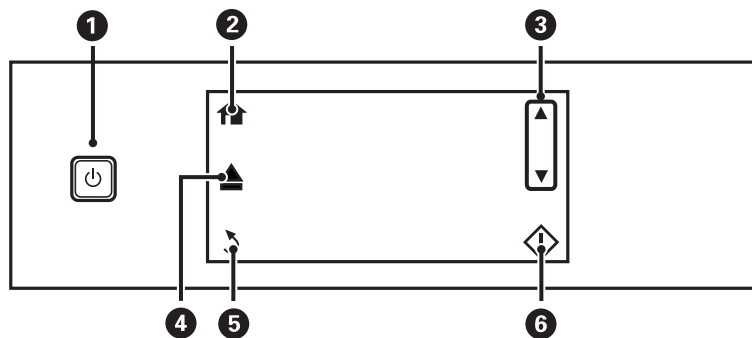


Note:

- ❑ When turning on the printer, the control panel rises automatically. When turning on the next time, the panel rises to the same angle as the last time you turned the power off.
- ❑ If you start printing with the control panel closed, it rises automatically and the output tray is ejected.

Buttons

All available buttons, except for the power button, are displayed on the LCD screen.



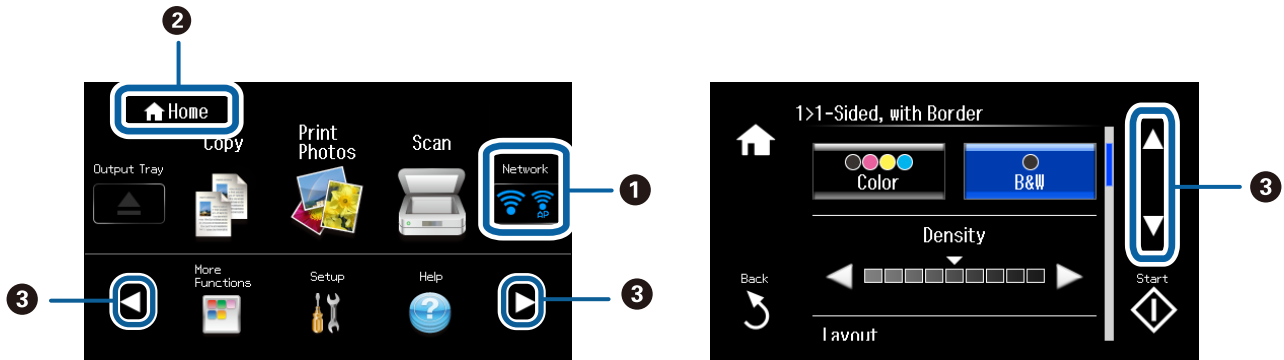
1		Turns the printer on or off. Do not turn off while the power light is flashing (while the printer is operating or processing data). Unplug the power cord when the power light is off.
2		Displays the home screen.
3		Scrolls the screen up or down to select a menu item.
4		Opens or closes the output tray.
5		Returns to the previous screen.
6		Starts an operation such as printing or copying.

Guide to the LCD Screen

Menus and messages are displayed on the LCD screen. Touch the screen to select a menu or make settings.

Printer Basics

To learn the meaning of the icons, press ◀ or ▶ to select **Help**, and then select **Icon List**.

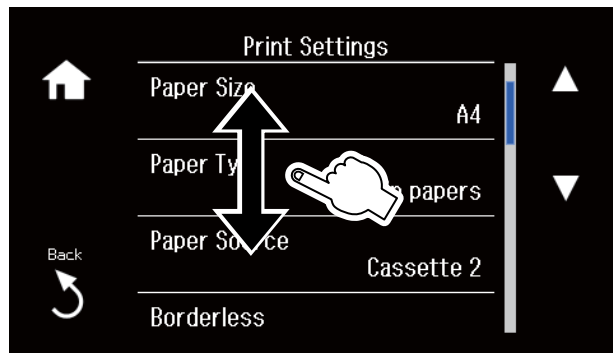


1	Icons that show the network status are displayed. Touch the icons to check the current status.
2	The name of the screen displayed.
3	Press ▲▼◀▶ to display other features or menus.

Scrolling the LCD Screen

You can scroll the screen by touching ▲▼◀▶ or by using the following swiping actions.

- ❑ Swipe the center of the screen.
- ❑ Swipe a bit harder if the touch screen does not respond.



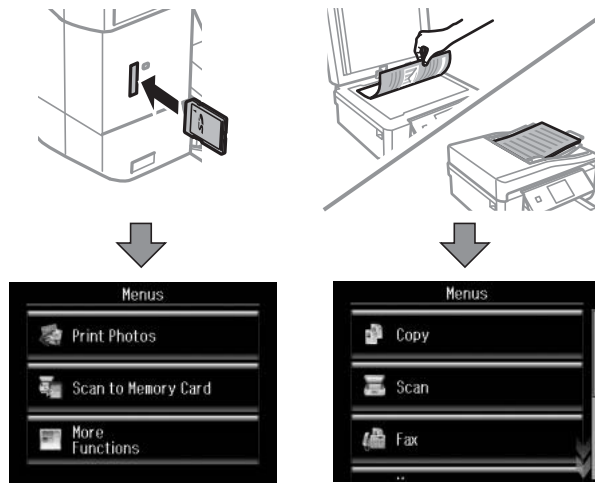
Displaying a Menu Appropriate to the Operation

Perform one of the following operations to display menus appropriate to the operation. If you do not want to display the menus, enter **Setup** from the home screen, select **Guide Functions**, and then disable **Auto Selection Mode**.

- ❑ Insert a memory card.
- ❑ Open the document cover to place the original.

Printer Basics

- ❑ Place the originals on the ADF (ADF-equipped printers only).



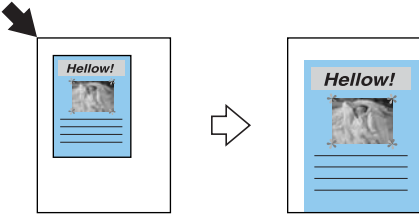
Menu Options

Copy Mode

To access the following menus, scroll the screen by swiping it or by pressing ▲ or ▼.

Menu	Settings and Explanations	
The number of copies	Enter the number of copies. Press a number between – and + to show the numeric keypad and enter the number of copies.	
Preview	Shows a scanned image to preview the copy results.	
Color/B&W	Select the color for copying.	
Density	Set the density of your copies. Increase the level of density when the copying results are too light. Decrease the level of density when ink smears.	
2-Sided Copying	1>1-Sided	Copies one side of an original onto a single side of paper.
	2>2-Sided	Copies both sides of a double-sided original onto both sides of a single sheet of paper (ADF equipped printers only).
	1>2-Sided	Copies two single-sided originals onto both sides of a single sheet of paper.
	2>1-Sided	Copies both sides of a double-sided original onto one side of two sheets of paper (ADF-equipped printers only).

Printer Basics

Menu	Settings and Explanations	
Layout	With Border	Copies with margins around the edges.
	Borderless	Copies without margins around the edges. The image is enlarged a little to remove borders from the edges of the paper.
	A4, 2-up Copy	Copies two single-sided originals onto a single sheet of A4 size paper in 2-up layout.
	A4, Book/2-up	Copies two facing pages of a book and so on onto a single sheet of A4 size paper in 2-up layout.
	Book/2-Sided	Copies two separate pages of a book and so on onto both sides of a single sheet of paper. Only available when 1>2-Sided is selected as the 2-sided copying setting.
Reduce/Enlarge	<p>Enlarges or reduces the original.</p> <p>Auto Fit Page: Scans the area that contains text and images as well as the space from the corner mark, and enlarges or reduces the scanned data to fit to the selected paper size.</p> <div style="text-align: center;">  </div> <p>Custom Size (%): Specifies the magnification to enlarge or reduce the original.</p>	
Paper Size	Select the paper size you loaded.	
Paper Type	Select the paper type you loaded.	
Paper Source	Select the paper source that you want to use.	
Document Type	Select the type of your original.	
Quality	<p>Select the quality for copying.</p> <p>Draft: Provides faster printing, but the printouts may be faint.</p> <p>Best: Provides higher quality printing, but the printing speed may be slower.</p>	
Document Orientation	Select the orientation of your original.	
Binding Direction	Select the binding position of the originals (ADF-equipped printers only).	
Binding Margin	Select the binding position of the copies.	
Expansion	With borderless printing, the image is enlarged a little to remove borders from the edges of the paper. Select how much to enlarge the image.	
Dry Time	Select the drying time for 2-sided copying. Increase the level of drying time when ink smears.	
Clear All Settings	Resets the selected settings to their defaults.	

Printer Basics

Print Photos Mode

Menus on a thumbnail view display

To access the following menus, press **Options** on the thumbnail view screen.

Menu	Settings and Explanations	
Browse	Browse by Date	Displays the photos on the memory card sorted by date. Select a date to display all photos saved on that date.
	Cancel Browse	Cancels sorting photos and displays all the photos.
Select Photos	Select All Photos	Select all the photos on the memory card and set the number of prints.
	Cancel Photo Selection	Returns the number of copies of all photos to 0 (zero).
Select Location	If you have more than 1000 photos on your memory card, photos are automatically divided into groups containing a maximum of 999 photos. Select a group to display.	

Menus on a one photo display

You can make various settings such as color adjustment and cropping (select a portion of a photo to crop and enlarge).

To access the following menus, press **Edit** on the screen displaying one photo.

Menu	Settings and Explanations	
Photo Adjustments	Enhance	Select one of the image adjustment options. PhotoEnhance: Produces sharper images and more vivid colors by automatically adjusting the contrast, saturation, and brightness of the original image data. P.I.M.: Adjusts the image based on the printing information provided by a digital camera compatible with PRINT Image Matching.
	Scene Detection	Available when selecting PhotoEnhance as the Enhance setting. Improves the image quality for photos of people, landscapes, and night scenes.
	Fix Red-Eye	Fixes red-eye in photos. Corrections are not applied to the original file, only to the printouts. Depending on the type of photo, parts of the image other than the eyes may be corrected.
	Brightness	Adjusts the brightness of the image.
	Contrast	Adjusts the difference between the brightness and darkness.
	Sharpness	Enhances or defocuses the outline of the image.
	Saturation	Adjusts the vividness of the image.
Filter	Prints in sepia or monochrome.	
Crop/Zoom	Enlarges a part of the photo to be printed.	

Menus of paper and print settings

To access the following menus, press **Settings** on the thumbnail view screen or on the screen displaying one photo.

Printer Basics

Menu	Settings and Explanations	
Paper Size	Select the paper size you loaded.	
Paper Type	Select the paper type you loaded.	
Paper Source	Select the paper source that you want to use.	
Borderless	Prints without margins around the edges. The image is enlarged a little to remove borders from the edges of the paper.	
Quality	Select the print quality. Selecting Best provides higher quality printing, but the printing speed may be slower.	
Expansion	With borderless printing, the image is enlarged a little to remove borders from the edges of the paper. Select how much to enlarge the image.	
Date	Select a date format to print photos with a date. The date is not printed for some layouts or if date information is not included in the photo data.	
Print Info. On Photos	Camera Settings	Prints with some Exif information, such as shutter speed, f-ratio, or ISO sensitivity. Unrecorded information is not printed.
	Camera Text	Prints text set on the digital camera. For information on the text settings, see the documentation provided with your camera.
	Landmark	Prints the name of the place or landmark where the photo was taken for digital cameras that have the landmark feature. See the website of the manufacturer of your camera for more details. The information can only be printed in borderless printing.
Fit Frame	Trims your photo. This may not be available for panorama photos. The photo is always trimmed in Borderless printing.	
	On	Crops the top and bottom or left and right of the image.
	Off	Creates margins on the left and right or top and bottom of the image.
Bidirectional	Prints while the print head moves to the left and to the right. Selecting Off (prints while moving in one direction) provides higher quality printing, but the printing speed may be slower.	
Clear All Settings	Resets the selected settings to their defaults.	

Scan Mode

Menu	Settings and Explanations
Scan to Memory Card	Scans your original and saves the scanned image to the memory card inserted into the printer. You can change the format, color, or scan area.
Scan to Cloud	Sends the scanned image to the registered destination. Make settings using Epson Connect to use this feature. See the following for details. https://www.epsonconnect.com/ http://www.epsonconnect.eu (Europe only)
Scan to Computer (JPEG)	Saves the scanned image to a computer in JPEG format.
Scan to Computer (PDF)	Saves the scanned image to a computer in PDF format.

Printer Basics

Menu	Settings and Explanations
Scan to Computer (Email)	Attaches the scanned image to an email.
Scan to Computer (WSD)	Stores scanned data on a network-connected computer running an English version of Windows 8.1, Windows 8, Windows 7, or Windows Vista.

Menu Options for Scan

The following menus are only available for **Scan to Memory Card** and **Scan to Cloud**.

Menu	Settings and Explanations
JPG/PDF	Select the format in which to save the scanned image.
Color/B&W	Select whether to scan in color or in monochrome.
Contrast	Select the contrast of the scanned image.
2-Sided Scanning	Select whether to scan a single side or both sides of the original (ADF-equipped printers only).
Scan Area	Select the scan area. Auto Cropping: Crops the white space around the text or image when scanning. Max Area: Scans at the maximum scan area of the scanner glass. Select this setting and scan again if the edges of the scanned image are cropped when A4 is selected.
Document	Select the type of your original.
Resolution	Select the scanning resolution.
Document Orientation	Select the orientation of your original. This is only available when PDF is selected as the save format.
Binding Direction	Select the binding position of the originals.
Clear All Settings	Resets the selected settings to their defaults.

Fax Mode (Fax-capable printers only)

To display the following menus, press **Fax** on the home screen, and then scroll down using the ▼ button.

Menu	Settings and Explanations
Contacts	Displays the contact list. You can also add or edit contacts.
Redial	Select to redial the last fax number dialed.
Color/B&W	Select whether to send a fax in color or monochrome.
Resolution	Select the resolution of the outgoing fax. Select Photo for originals that contain both text and photo images. The time needed for sending a fax varies depending on the original and the resolution.
Contrast	Set the density of the outgoing fax. The Auto option automatically adjusts the contrast for your original.

Printer Basics

Menu	Settings and Explanations
2-Sided Faxing	Select to scan both sides of the original when sending in monochrome.
Direct Send	When sending a fax in monochrome, the scanned document is temporarily stored in the printer's memory. Therefore, sending a lot of pages may cause the printer to run out of memory and stop sending the fax. You can avoid this problem by enabling the Direct Send feature. However, it takes longer to send the fax because the printer performs scanning and sending simultaneously. You can use this feature when there is only one recipient.
Send Preview	When sending a fax in monochrome, the scanned document is displayed on the LCD screen. You can check the scanned document before sending. This feature is not available when using the Direct Send feature.
Clear All Settings	Restores the settings configured in Setup > Fax Settings > Send Settings .

Fax Mode Menu (Fax-capable printers only)

To display the following menus, press **Fax** on the home screen, and then press **Advanced Options**.

Menu	Settings and Explanations	
Send Fax Later	See the pages that describe these features for more details.	
Broadcast Fax		
Polling		
Open Inbox	Displays received documents when you have set to save received faxes in the inbox.	
Reprint Faxes	Prints received faxes temporarily stored in the printer's memory starting with the latest fax. When the printer runs out of memory, faxes are automatically deleted starting with the oldest fax. Received faxes stored in the inbox are not automatically deleted.	
Fax Report	Fax Settings List	Prints the current fax settings.
	Fax Log	Displays or prints a history of sent and received fax jobs. You can set to print this report automatically using the following menu. Setup > Fax Settings > Report Settings > Fax Log Auto Print
	Last Transmission	Prints a report for the previous fax that was sent or received through polling.
	Contact List	Prints the selected list.
	Speed Dial List	
	Group Dial List	
	Protocol Trace	Prints a detailed report for the previous fax that was sent or received.

Related Information

- ➔ [“Sending Faxes at a Specified Time” on page 116](#)
- ➔ [“Sending Faxes to multiple destinations \(Broadcast Fax\)” on page 117](#)
- ➔ [“Receiving Faxes by Polling” on page 120](#)

Printer Basics

Quiet Mode

Select **Quiet Mode** on the home screen. Prints quietly when enabled. However, the printing speed may be slower.

More Functions Mode

Copy/Restore Photos

You can copy your printed photos. For more details, see the page that describes the procedure for copying photos.

Menu	Settings and Explanations
Copy/Restore Photos	Restores the colors in faded photos.

Menu Options for Copy/Restore Photos

To access the following menus, press **Edit** while a scanned photo is displayed.

Menu	Settings and Explanations
Photo Adjustments	Enhance Selecting PhotoEnhance produces sharper images and more vivid colors by automatically adjusting the contrast, saturation, and brightness of the original image data.
Filter	Prints in monochrome.
Crop/Zoom	Enlarges a part of the photo to be printed.

To access the following menus, press **Settings** while a scanned photo is displayed.

Menu	Settings and Explanations
Paper Size	Select the paper size you loaded.
Paper Type	Select the paper type you loaded.
Paper Source	Select the paper source that you want to use.
Borderless	Copies without margins around the edges. The image is enlarged a little to remove borders from the edges of the paper.
Expansion	With borderless printing, the image is enlarged a little to remove borders from the edges of the paper. Select how much to enlarge the image.

Photo Layout Sheet

You can print your photos in various layouts, such as printing multiple photos on a sheet of photo paper.

20-up: The serial number or date is printed below each photo.

Sticker 16-up: Select when printing on photo stickers.

P.I.F. is displayed if you have a P.I.F. frame on your memory card.

Printer Basics

Menu	Settings and Explanations	
Paper Size	Select the paper size you loaded.	
Paper Type	Select the paper type you loaded.	
Paper Source	Select the paper source that you want to use.	
Layout method	Select how to place the photos.	
	Automatic Layout	Photos are placed automatically using the selected layout. If the number of selected photos is less than that of the selected layout, blank spaces appear on the printout.
	Place Photos Manually	Manually place the photos in the selected layout. Selecting Leave Blank provides a blank space on the printout.

Menu Options for Photo Layout Sheet

To access the following menus, press **Options** when a photo is displayed on the screen.

Menu	Settings and Explanations	
Browse	Browse by Date	Displays the photos on the memory card sorted by date. Select a date to display all photos saved on that date.
	Cancel Browse	Cancels sorting photos and displays all the photos.
Select Photos	Select All Photos	Select all the photos on the memory card and set the number of prints.
	Cancel Photo Selection	Returns the number of copies of all photos to 0 (zero).
Select Location	If you have more than 1000 photos on your memory card, photos are automatically divided into groups containing a maximum of 999 photos. Select a group to display.	

To access the following menus, press **Edit** when selecting a photo.

Printer Basics

Menu	Settings and Explanations	
Photo Adjustments	Enhance	Select one of the image adjustment options. PhotoEnhance: Produces sharper images and more vivid colors by automatically adjusting the contrast, saturation, and brightness of the original image data. P.I.M.: Adjusts the image based on the printing information provided by a digital camera compatible with PRINT Image Matching.
	Scene Detection	Available when selecting PhotoEnhance as the Enhance setting. Improves the image quality for photos of people, landscapes, and night scenes.
	Fix Red-Eye	Fixes red-eye in photos. Corrections are not applied to the original file, only to the printouts. Depending on the type of photo, parts of the image other than the eyes may be corrected.
	Brightness	Adjusts the brightness of the image.
	Contrast	Adjusts the difference between the brightness and darkness.
	Sharpness	Enhances or defocuses the outline of the image.
	Saturation	Adjusts the vividness of the image.
Filter	Prints in sepia or monochrome.	
Crop/Zoom	Enlarges a part of the photo to be printed.	

To access the following menus, select a photo, set the number of prints, and then press **Proceed**.

Menu	Settings and Explanations	
Quality	Select the print quality. Selecting Best provides higher quality printing, but the printing speed may be slower.	
Expansion	With borderless printing, the image is enlarged a little to remove borders from the edges of the paper. Select how much to enlarge the image.	
Date	Select a date format to print photos with a date. The date is not printed for some layouts or if date information is not included in the photo data. The date is printed automatically when selecting 20-up . The date used is the date the photo was taken or the date you saved the photo data.	
Print Info. On Photos	Camera Settings	Prints with some Exif information, such as shutter speed, f-ratio, or ISO sensitivity. Unrecorded information is not printed.
	Camera Text	Prints text set on the digital camera. For information on the text settings, see the documentation provided with your camera.
	Landmark	Prints the name of the place or landmark where the photo was taken for digital cameras that have the landmark feature. See the website of the manufacturer of your camera for more details. The information can only be printed in borderless printing.
Fit Frame	Trims your photo. This may not be available for panorama photos. The photo is always trimmed in Borderless, Upper 1/2Lower 1/2 , or printing.	
	On	Crops the top and bottom or left and right of the image.
	Off	Creates margins on the left and right or top and bottom of the image.

Printer Basics

Menu	Settings and Explanations
Bidirectional	Prints while the print head moves to the left and to the right. Selecting Off (prints while moving in one direction) provides higher quality printing, but the printing speed may be slower.

Greeting Card

You can add handwritten text to a photo or print as photo stickers. For more details, see the page that explains the procedure for printing a greeting card.


Copy to CD/DVD

You can copy your photo or CD/DVD label onto a CD/DVD. For more details, see the page that explains the procedure for copying on a CD/DVD.

Menu	Settings and Explanations
Outer/Inner	Specify the print range. Up to 120 mm for the outer diameter, and a minimum of 18 mm for the inner diameter can be specified. Depending on the setting, the CD/DVD or CD/DVD tray may get dirty. Set the range to fit the printable area of your CD/DVD.
Print on a CD/DVD/ Test print on A4 paper	Select whether to print a test on A4 size plain paper or print on a CD/DVD.
Preview	Shows a scanned image to preview the copy results.
Color/B&W	Select the color for copying.
Density	Set the density of your copies. Increase the level of density when the copying results are light. Decrease the level of density when ink smears.
Document Type	Select the type of your original.
Quality	Select the quality for copying. Best is only available when selecting Print on a CD/DVD . Standard: Provides faster printing, but the printouts may be faint. Best: Provides higher quality printing, but the printing speed may be slower.

Print on CD/DVD

You can print a photo from your memory card onto a CD/DVD. For more details, see the page that explains the procedure for printing on a CD/DVD.

Menu	Settings and Explanations
Print Layout	Select the layout you want to use to print onto a CD/DVD. CD/DVD Variety automatically lays out the 10 photos you selected. 

Printer Basics

Menu	Settings and Explanations	
Layout method	Select how to place the photos.	
	Automatic Layout	Photos are placed automatically using the selected layout. If the number of selected photos is less than that of the selected layout, blank spaces appear on the printout.
	Place Photos Manually	Manually place the photos in a selected layout. Selecting Leave Blank provides a blank space in the printout.

Menu Options for Print on CD/DVD

To access the following menus, press **Options** while a photo is displayed.

Menu	Settings and Explanations	
Browse	Browse by Date	Displays the photos on the memory card sorted by date. Select a date to display all photos saved on that date.
	Cancel Browse	Cancels sorting photos and displays all the photos.
Select Location	If you have more than 1000 photos on your memory card, photos are automatically divided into groups containing a maximum of 999 photos. Select a group to display.	

To access the following menus, press **Edit** when selecting a photo.

Menu	Settings and Explanations	
Photo Adjustments	Enhance	Select one of the image adjustment options. PhotoEnhance: Produces sharper images and more vivid colors by automatically adjusting the contrast, saturation, and brightness of the original image data. P.I.M.: Adjusts the image based on the printing information provided by a digital camera compatible with PRINT Image Matching.
	Scene Detection	Available when selecting PhotoEnhance as the Enhance setting. Improves the image quality for photos of people, landscapes, and night scenes.
	Fix Red-Eye	Fixes red-eye in photos. Corrections are not applied to the original file, only to the printouts. Depending on the type of photo, parts of the image other than the eyes may be corrected.
	Brightness	Adjusts the brightness of the image.
	Sharpness	Enhances or defocuses the outline of the image.
	Saturation	Adjusts the vividness of the image.
Filter	Prints in sepia or monochrome.	
Crop/Zoom	Enlarges a part of the photo to be printed.	

To access the following menus, select a photo, and then press **Proceed**.

Printer Basics

Menu	Settings and Explanations
Outer/Inner	Specify the print range. Up to 120 mm for the outer diameter, and a minimum of 18 mm for the inner diameter can be specified. Depending on the setting, the CD/DVD or CD/DVD tray may get dirty. Set the range to fit the printable area of your CD/DVD.
Print on a CD/DVD/ Test print on A4 paper	Select whether to print a test on A4 size plain paper or print on a CD/DVD.
CD Density	Set the density to use when printing onto a CD/DVD.

Personal Stationery

You can print lined paper and calenders or create your own writing paper and message cards.

Menu	Settings and Explanations
Lined Papers	Prints some types of lined paper, graph paper, or music paper on A4 size paper.
Writing Papers	Prints some types of writing paper on A4 size paper with a photo from the memory card set as the background. The photo is printed lightly so that it can be easily written on.
Calendar	Prints a weekly or monthly calender on A4 size paper. Select the period for the monthly calender.
Message Card	Prints a greeting card on A4 size paper using images stored on the printer or images on a memory card.
Origami	Origami Envelope Prints a diagram of an envelope on A4 size paper using images from inside the printer. Enable Fold Line to print fold lines on the diagram of the envelope.
	Origami Envelope Instruction Prints a sheet that explains how to fold the diagram of the envelope on A4 size paper. Place the sheet on top of the diagram and fold both sheets together. For more details, see the page that describes the procedure for creating envelopes.

Menu Options for Personal Stationery

Menu	Settings and Explanations
Message Card	Paper Size Select the paper size you loaded.
	Paper Type Select the paper type you loaded.
	Paper Source Select the paper source that you want to use.
	Select from Select an image to print on the greeting card.
	Image Position Select where to place the image on the greeting card.
	Line Type Select the type of ruled line to print on the greeting card.
	Line Color Select the color of the ruled line to print on the greeting card.
	Print Layout Select whether to print the greeting card in 2-up or 4-up layout.

Printer Basics

Menu	Settings and Explanations	
Origami	Fold Line	Select whether to print fold lines on the diagram of the envelope.
	Image Position	Select where to place the image on the envelope.
	Origami Envelope	Select the size of the envelope.

Coloring Book

You can create a coloring sheet by extracting only the outline of photos or illustrations. Scan a photo or select a photo on your memory card to print a coloring book.

Menu Options for Coloring Book

Menu	Settings and Explanations	
Paper Settings	Select the paper type you loaded.	
Paper Source	Select the paper source that you want to use.	
Density	Select the level of density for the outlines on the coloring sheet.	
Line Detection	Select the sensitivity used to detect outlines in the photo.	

To access the following menus, select **Photo on Memory Card**, and then press **Options**.

Menu	Settings and Explanations	
Browse	Browse by Date	Displays the photos on the memory card sorted by date. Select a date to display all photos saved on that date.
	Cancel Browse	Cancels sorting photos and displays all the photos.
Select Location	If you have more than 1000 photos on your memory card, photos are automatically divided into groups containing a maximum of 999 photos. Select a group to display.	

Related Information

- ➔ [“Copying Photos” on page 97](#)
- ➔ [“Printing Photos from a Memory Card with Handwritten Notes” on page 66](#)
- ➔ [“Copying on a CD/DVD Label” on page 98](#)
- ➔ [“Printing Photos from a Memory Card onto a CD/DVD Label” on page 65](#)
- ➔ [“Folding Envelopes” on page 69](#)

Setup Mode

Menu	Settings and Explanations	
Ink Levels	Displays the approximate levels of the ink cartridges. When an ! icon is displayed, the ink cartridge is running low. When a X mark is displayed, the ink cartridge is expended.	

Printer Basics

Menu	Settings and Explanations		
Maintenance	Nozzle Check	Prints a pattern to check if the print head nozzles are clogged.	
	Head Cleaning	Cleans clogged nozzles in the print head.	
	Print Head Alignment	Adjusts the print head to improve print quality.	
	Ink Cartridge(s) Replacement	Use this feature to replace the ink cartridges before the ink is expended.	
Printer Setup	Paper Source Setting	Paper Setup	Select the paper size and paper type you loaded.
		Paper Configuration	Automatically displays the paper settings screen when paper is loaded. AirPrint is not available when disabled. In addition, the printer does not warn you even if the paper settings do not match the paper you loaded.
	CD/DVD	Adjusts the printing position of a CD/DVD by moving up, down, left, or right to fit.	
	Stickers	Adjusts the printing position of a photo sticker by moving up, down, left, or right to fit.	
	Thick Paper	Use this feature if ink smears and the paper gets dirty. When enabled, the printing speed may be slower. Only enable this setting when ink smears. It is disabled when the printer is turned off.	
	Sound	Turns on or off the beeps that sound when operating the buttons or when an error occurs, and changes the volume.	
	Quiet Mode	Prints quietly when enabled. However, the print speed may be slower.	
	Screen Saver	By selecting Memory Card Data , photos are displayed sequentially when no operations are performed for about three minutes.	
	Auto Power On	Enables the printer to automatically turn on when a print or scan job is started from a USB-connected or network-connected computer. This increases power consumption a little when compared to turning the printer off completely. This is disabled by default (not available for fax-capable printers).	
	Auto Power Off	Turns the printer off after 30 minutes when all network ports including the LINE port are disconnected. Your product may or may not have this feature available depending on the production date and the location of purchase.	
	Power Off Timer	Turns the printer off automatically when a specified time has passed and no operations have been performed. You can adjust the time before power management is applied. Any increase will affect the product's energy efficiency. Consider the environment before making any changes (not available for fax-capable printers).	
	Sleep Timer	Select the time period before the printer enters sleep mode (energy saving mode) when no operations are performed. The LCD screen turns black when the set time passes.	
	Clear All Settings	Resets the selected settings to their defaults.	

Printer Basics

Menu	Settings and Explanations		
Basic Setup	Date/Time	Change the date and time (Fax-capable printers only).	
	Daylight Saving Time	Select the summer time setting that applies to your area (Fax-capable printers only).	
	Country/Region	Select the country and region (Fax-capable printers only).	
	Language	Select the display language.	
Network Settings	Network Status	Press Details to check the status of the network connection, Epson Connect connection, and so on. Select Print Status Sheet to print the network status sheet.	
	Wi-Fi Setup	See the <i>Network Guide</i> to make the following settings.	
		Wi-Fi Setup Wizard	Select an SSID, enter a password, and then connect the printer to a wireless (Wi-Fi) network.
		Push Button Setup (WPS)	Connect the printer to a wireless network by using the WPS button on your wireless router.
		PIN Code Setup (WPS)	In the wireless router utility, enter the PIN code displayed on the printer's screen and connect the printer to a wireless (Wi-Fi) network.
		Wi-Fi Auto Connect	Easily connect the printer to a wireless (Wi-Fi) network using a computer connected to the wireless router. By simply following the on-screen instructions on the computer, you can make the network settings without entering an SSID or security key.
		Disable Wi-Fi	Disables the connection by turning the Wi-Fi off without deleting the network information. To enable the connection, set up the wireless (Wi-Fi) network again
		Wi-Fi Direct Setup	Connects the printer to a wireless (Wi-Fi) network without a wireless router.
	Manual Network Setup	Changes the network settings, such as the printer name or TCP/IP.	
Network Connection Check	Checks the status of the network connection and prints the network connection check report. If there are any problems with the connection, see the check report to solve the problem. See the <i>Network Guide</i> for more details.		
Epson Connect Services	You can suspend or resume the Epson Connect or Google Cloud Print service, or cancel using the services (restore the default settings). See the following for details. https://www.epsonconnect.com/		
Google Cloud Print Services	http://www.epsonconnect.eu (Europe only)		
File Sharing Setup	Select the connection method between the printer and the computer when giving write access to the memory card inserted in the printer. Read and write access is given to the computer with the priority connection. Only read access is given to other computers.		
Home NW Print Settings	Change the print settings from your home network, such as a digital camera or computer.		
Fax Settings	See the list of menus in Fax Settings .		
External Device Setup	Change the print settings to print directly from an external device such as a digital camera.		

Printer Basics

Menu	Settings and Explanations	
Guide Functions	Paper Setting Alert	Warns you when the paper settings do not match the paper you loaded.
	Document Alert	Warns you that an original has been left on the scanner glass by checking if the document cover has been opened or closed after copying or scanning using the control panel has finished.
	Auto Selection Mode	When any of the following operations are performed, the menus appropriate to the operation are displayed. <ul style="list-style-type: none"> <input type="checkbox"/> Inserting a memory card. <input type="checkbox"/> Placing originals on the scanner glass. <input type="checkbox"/> Placing originals on the ADF (ADF-equipped printers only).
	All Functions	Enables or disables all guidance functions.
	Clear All Settings	Resets the selected settings to their defaults.
Restore Default Settings	Resets the selected settings to their defaults.	

Related Information

➔ [“Fax Settings \(Fax-capable printers only\)” on page 35](#)

Fax Settings (Fax-capable printers only)

To access the following menus, enter **Setup** from the home screen, press ▼ to scroll down, and then select **Fax Settings**.

Menu	Settings and Explanations	
Send Settings	The settings made in this menu become your default settings for sending faxes. For more details on the setting items, see the list of menus in Fax mode.	
Receive Settings	Auto Answer	Starts receiving faxes automatically after the specified number of rings.
	DRD	Select a ring pattern assigned to your fax number if you have subscribed to a distinctive ring service, which allows you to have several phone numbers on one phone line assigning different ring pattern to each number. Depending on the region, this option may be On or Off .
	Rings to Answer	Select the number of rings that must occur before the printer automatically receives a fax. Depending on the region, this setting may not be displayed.
	Fax Output	You can set to save received documents in the inbox, on an external memory device, or on a computer.
	Remote Receive	When you answer an incoming fax call with a phone connected to the printer, you can start receiving the fax by entering the code you specified using the phone.

Printer Basics

Menu	Settings and Explanations	
Print Settings	Auto Reduction	Reduces large received documents in size to fit on the paper in the paper cassette. Reducing may not always be possible depending on the received data. If this is disabled, large documents are printed at their original size on multiple sheets or a blank second page may be ejected.
	Collation Stack	Prints received documents from the last page (print in descending order) so that the printed documents are stacked in the correct page order. When the printer is running low on memory, this feature may not be available.
	Print Suspend Time	Enable this setting and enter a stop time and start time to save received documents in the memory instead of printing them during the specified time period. Make sure there is enough free memory before using this feature. At the set start time, the received faxes are printed. This feature can be used for noise prevention during night time or to prevent confidential documents from being disclosed while you are away.
Report Settings	Last Transmission Report	Prints a report automatically after a fax is sent. Select On Error to print the report only when an error occurs.
	Attach Image to Report	Prints a Last Transmission Report with an image of the first page of the sent document. On(Large Image) : Prints the upper part of the page without reducing. On(Small Image) : Prints the entire page reducing it to fit onto the report.
	Fax Log Auto Print	Prints the fax log automatically. On(Every 30) : Prints a log every time 30 fax jobs are completed. On(Time) : Prints the log at a specified time. However, if the number of fax jobs exceeds 30, the log is printed before the specified time.
	Report Format	Select a format for fax reports other than Protocol Trace .
Communication	Header	Enter your sender name and fax number. These appear as a header on outgoing faxes. You can enter up to 40 characters for your name, and up to 20 digits for your fax number.
	Dial Mode	Select the type of phone system to which you have connected the printer. When set to Pulse , you can temporarily switch the dialing mode from pulse to tone by pressing * ("T" is entered) while entering numbers on the fax top screen. Depending on the region, this setting may not be displayed.
	Dial Tone Detection	Detects a dial tone before starting to dial. If the printer is connected to a PBX (Private Branch Exchange) or digital phone line, the printer may fail to start dialing. In this situation, change the Line Type setting to PBX . If this does not work, disable this feature. However, disabling this feature may drop the first digit of a fax number and send the fax to the wrong number
	Fax Speed	Select the fax transmission speed. We recommend selecting Slow(9,600bps) when communication errors occur frequently, when sending/receiving a fax to/from abroad, or when you are using an IP (VoIP) phone service.
	ECM	Automatically corrects errors in the fax transmission (Error Correction Mode), mostly caused by telephone line noise. If this is disabled, you cannot send or receive documents in color.
	Line Type	Select the line type to which you have connected the printer. For more details, see the page that describes the settings for PBX.

Printer Basics

Menu	Settings and Explanations	
Security Settings	Auto Erase Backup Data	Fax documents deleted by using the control panel are removed from the LCD screen, but their backups are temporarily stored in the memory. The following features delete backups. Auto Erase Backup Data: Automatically deletes backups each time a sent or received document is deleted. Erase Backup Data: Deletes all backups. Run this before you give the printer to someone else or dispose of it.
	Erase Backup Data	
Check Fax Connection	Checks if the printer is connected to the phone line and ready for fax transmission, and prints the check result on A4 size plain paper.	

Related Information

- ➔ [“Fax Mode \(Fax-capable printers only\)” on page 24](#)
- ➔ [“Setting the Line Type” on page 112](#)

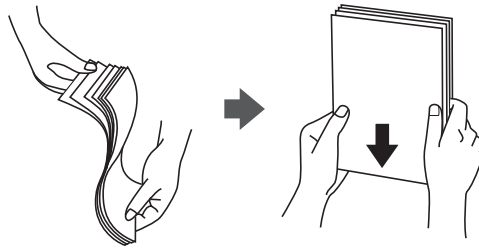
Help Mode

See the Help for information on using the printer or when printouts are unsatisfactory.

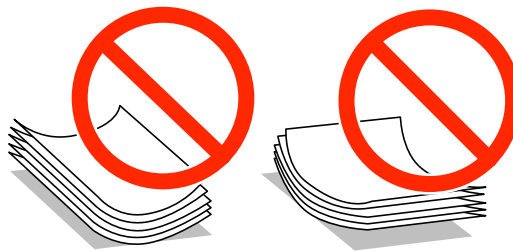
Loading Paper

Paper Handling Precautions

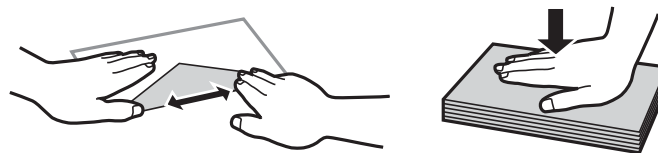
- ❑ Read the instruction sheets supplied with the paper.
- ❑ Fan and align the edges of the paper before loading. Do not fan or curl photo paper. Doing so may damage the printable side.



- ❑ If the paper is curled, flatten it or curl it slightly in the opposite direction before loading. Printing on curled paper may cause paper jams and smears on the printout.



- ❑ Do not use paper that is wavy, torn, cut, folded, damp, too thick, too thin, or paper that has stickers stuck to it. Using these types of paper causes paper jams and smears on the printout.
- ❑ Fan and align the edges of the envelopes before loading. When the stacked envelopes are puffed up with air, press them down to flatten them before loading.



- ❑ Do not use envelopes that are curled or folded. Using these envelopes causes paper jams and smears on the printout.
- ❑ Do not use envelopes with adhesive surfaces on the flaps or window envelopes.
- ❑ Avoid using envelopes that are too thin, as they may curl during printing.

Related Information

- ➔ [“Printer Specifications” on page 185](#)

Available Paper and Capacities

Epson recommends using genuine Epson paper to ensure high-quality printouts.

Genuine Epson Paper

Media Name	Size	Loading Capacity (Sheets)			2-Sided Printing ^{*1}	Borderless Printing ^{*2}
		Paper Cassette 1	Paper Cassette 2	Rear Paper Feed Slot		
Epson Bright White Ink Jet Paper	A4	–	80 ^{*3}	1	Auto, Manual	–
Epson Ultra Glossy Photo Paper	A4	–	20	1	–	✓
	10×15 cm (4×6 in.), 13×18 cm (5×7 in.)	20	20	1		
Epson Premium Glossy Photo Paper	A4	–	20	1	–	✓
	10×15 cm (4×6 in.), 13×18 cm (5×7 in.)	20	20	1		
	16:9 wide size (102×181 mm)	20	20	1		
Epson Premium Semigloss Photo Paper	A4	–	20	1	–	✓
	10×15 cm (4×6 in.)	20	20	1		
Epson Photo Paper Glossy	A4	–	20	1	–	✓
	10×15 cm (4×6 in.), 13×18 cm (5×7 in.)	20	20	1		
Epson Matte Paper-Heavyweight	A4	–	20	1	–	✓
Epson Double-Sided Matte Paper	A4	–	1	1	Auto, Manual	✓
Epson Photo Quality Ink Jet Paper	A4	–	80	1	–	–
Epson Iron-On Cool Peel Transfer Paper	A4	–	1	1	–	–
Epson Photo Stickers	A6	1	1	1	–	–

*1 The 2-sided printing feature is not available for the rear paper feed slot.

*2 Borderless printing is not available for 2-sided printing.

*3 For manual 2-sided printing, you can load up to 30 sheets for paper with one side already printed.

Loading Paper

Note:

The availability of paper varies by location. For the latest information on paper available in your area, contact Epson support.

Commercially Available Paper

Media Name	Size	Loading Capacity (Sheets)			2-Sided Printing*1	Borderless Printing
		Paper Cassette 1	Paper Cassette 2	Rear Paper Feed Slot		
Plain paper*2	Letter*3, A4, B5 *3	–	Up to the line indicated by the triangle symbol on the edge guide.*4	1	Auto, Manual	–
	A5*3	–		1	Manual	
	Legal *3	–	–	1	Manual	
	A6*3	20	20	1	Manual	
	User Defined*3	–	1*5	1	Manual	
Envelope*3	Envelope #10, Envelope DL, Envelope C6	–	10	1	–	–

*1 The 2-sided printing feature is not available for the rear paper feed slot.

*2 Use the rear paper feed slot to load pre-punched paper.

*3 Only printing from computer is available.

*4 For manual 2-sided printing, you can load up to 30 sheets for paper with one side already printed.

*5 Use the rear paper feed slot to load paper longer than A4 size.

Related Information

➔ [“Part Names and Functions” on page 14](#)

➔ [“Technical Support Web Site” on page 199](#)

List of Paper Types

To obtain optimum printing results, select the paper type that suits the paper.

Media Name	Media Type	
	Control Panel	Printer Driver, Smart device *2
Epson Bright White Ink Jet Paper*1	plain papers	plain papers
Epson Ultra Glossy Photo Paper*1	Ultra Glossy	Epson Ultra Glossy
Epson Premium Glossy Photo Paper*1	Prem. Glossy	Epson Premium Glossy

Loading Paper

Media Name	Media Type	
	Control Panel	Printer Driver, Smart device *2
Epson Premium Semigloss Photo Paper*1	Prem. Semigloss	Epson Premium Semigloss
Epson Photo Paper Glossy*1	Glossy	Photo Paper Glossy
Epson Matte Paper-Heavyweight*1 Epson Double-Sided Matte Paper*1	Matte	Epson Matte
Epson Photo Quality Ink Jet Paper*1	Photo Quality IJ	Epson Photo Quality Ink Jet
Epson Iron-On Cool Peel Transfer Paper	plain papers	plain papers
Epson Photo Stickers*1	Photo Stickers	Epson Photo Stickers
Plain paper*1	plain papers	plain papers
Envelope	Envelope	Envelope

*1 These paper types are compatible with Exif Print and PRINT Image Matching when printing from the printer driver. For more details, see the documentation provided with the Exif Print or PRINT Image Matching compatible digital camera.

*2 For smart devices, these media types can be selected when printing using Epson iPrint.

Loading Paper in the Paper Cassette 1


You can load small size photo paper. When you load the same size and type of paper in paper cassette 2 and select **Cassette 1->2**, you can print continuously.



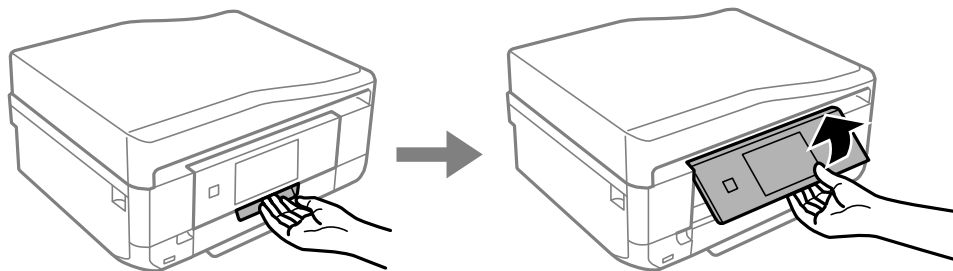
Important:

Do not remove or insert the paper cassette while the printer is operating. This may damage the printer.

Note:

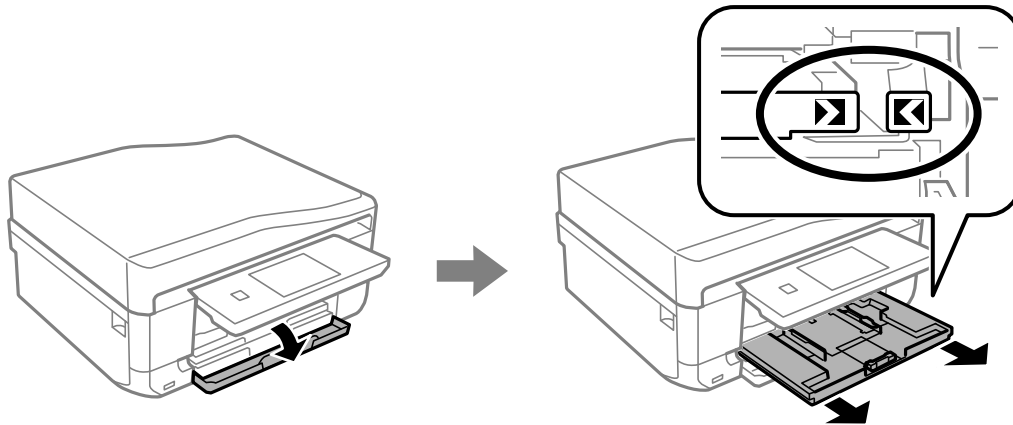
When the output tray is ejected, check that there is no paper on the tray, and then close it by pressing the  button or pushing it with your hand.

1. Raise the control panel.



Loading Paper

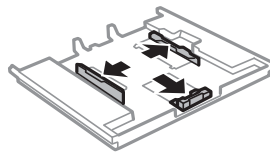
2. Open the front cover until it clicks and pull out paper cassette 1.



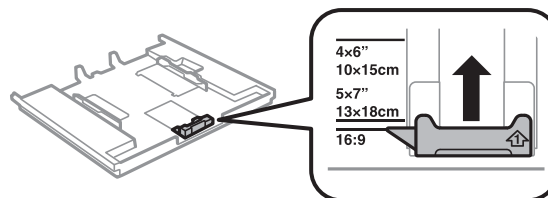
Important:

If paper cassette 1 is too far inside the printer, turn the printer off and on again.

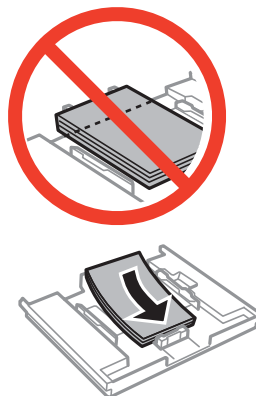
3. Slide the edge guides to their maximum position.



4. Slide the front edge guide to the paper size you want to use.



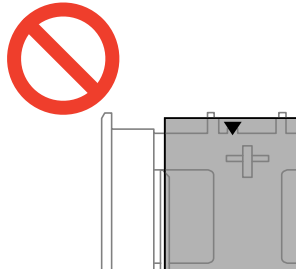
5. With the printable side facing down, load paper against the front edge guide.



Loading Paper

! *Important:*

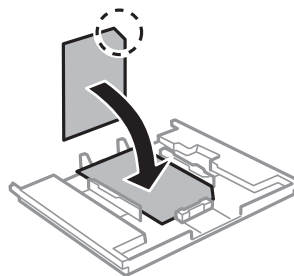
- ❑ *Make sure the paper does not extend beyond the triangle symbol at the end of the cassette.*



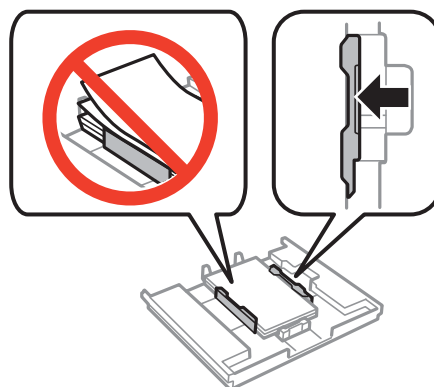
- ❑ *Do not load more than the maximum number of sheets specified for the paper. Do not load paper above the line indicated by the triangle symbol on the edge guide.*



- ❑ Photo Sticker sheet

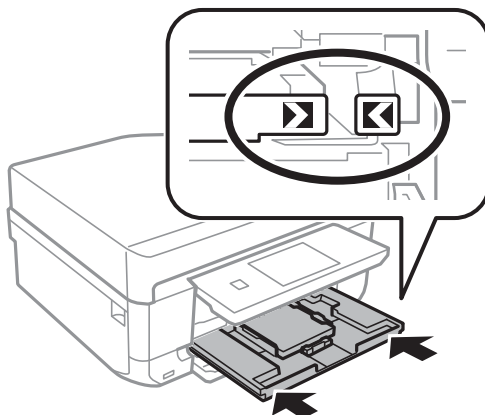


6. Slide the right edge guide to the edge of the paper.



Loading Paper

7. Insert paper cassette 1. Line up the alignment marks on the printer and the tray.



8. Check the current paper size and paper type settings displayed on the control panel. To use the settings, touch **Done**. To change the settings, select **Paper Size** or **Paper Type**, and then go to the next step.


Note:

*If you have disabled the **Paper Configuration** setting, the paper setting screen is not displayed.*

9. Select the paper size and type on each setting screen. Touch **Done** on the paper settings confirmation screen.

Note:

You can also display the paper size and paper type settings screen by selecting **Setup > Printer Setup > Paper Source Setting > Paper Setup**.

The output tray slides out automatically when printing starts. To eject the tray before printing starts, press the  button.

Related Information

- ➔ [“Paper Handling Precautions” on page 38](#)
- ➔ [“Available Paper and Capacities” on page 39](#)

Loading Paper in the Paper Cassette 2


You can load almost any type of paper. We recommend loading A4 size plain paper as this is used frequently. When you load the same size and type of paper in paper cassette 1 and select **Cassette 1->2**, you can print continuously.



Important:

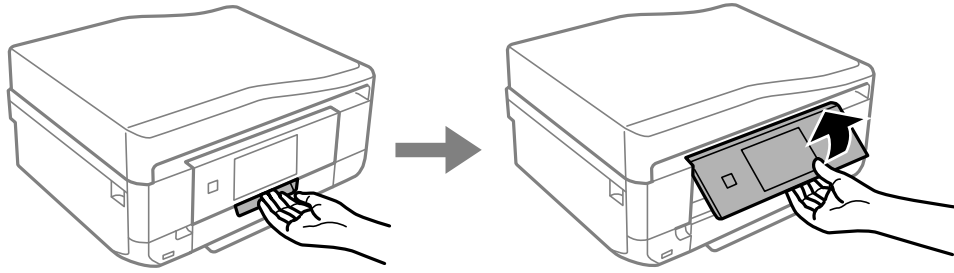
Do not remove or insert the paper cassette while the printer is operating. This may damage the printer.

Note:

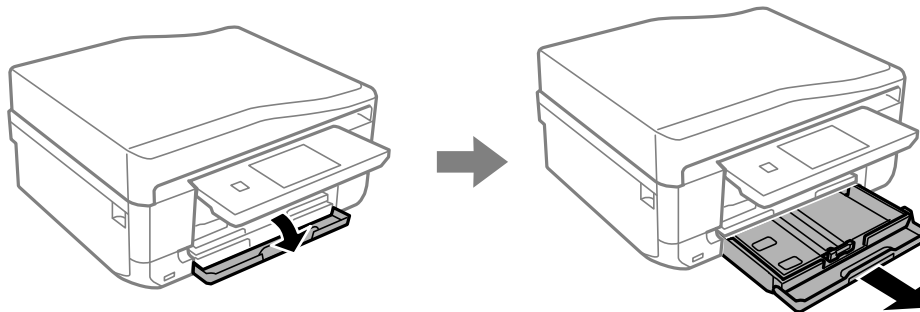
When the output tray is ejected, check that there is no paper on the tray, and then close it by pressing the  button or pushing it with your hand.

Loading Paper

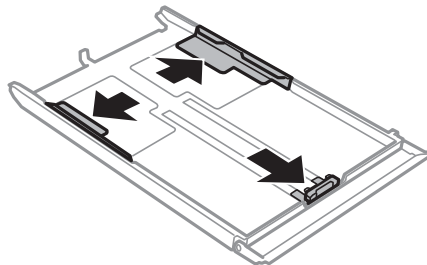
1. Raise the control panel.



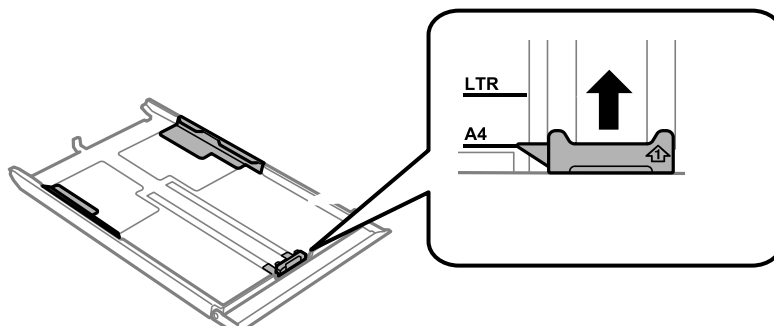
2. Open the front cover until it clicks and pull out paper cassette 2.



3. Slide the edge guides to their maximum position.

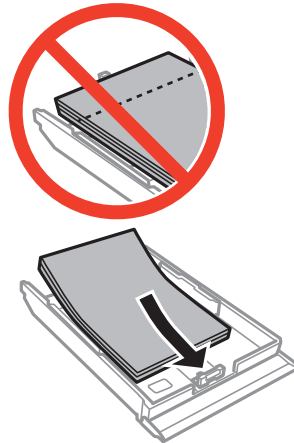


4. Slide the front edge guide to the paper size you want to use.



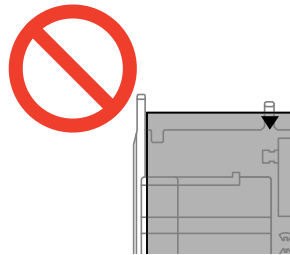
Loading Paper

5. With the printable side facing down, load paper against the front edge guide.

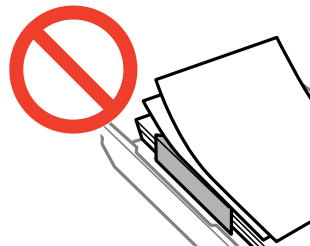


! *Important:*

- ❑ *Make sure the paper does not extend beyond the triangle symbol at the end of the cassette.*

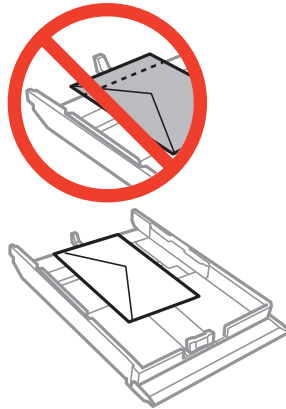


- ❑ *Do not load more than the maximum number of sheets specified for the paper. For plain paper, do not load above the line indicated by the triangle symbol on the edge guide.*

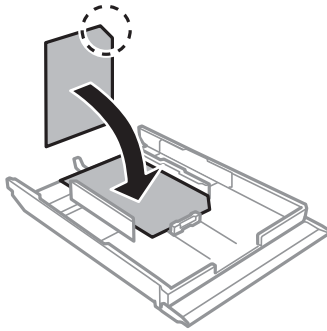


Loading Paper

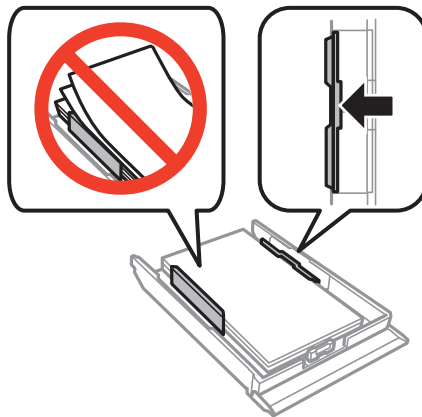
❑ Envelopes



❑ Photo Sticker sheet

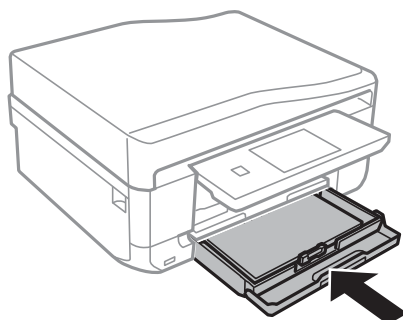


6. Slide the right edge guide to the edge of the paper.



Loading Paper

7. Insert paper cassette 2.



8. Check the current paper size and paper type settings displayed on the control panel. To use the settings, touch **Done**. To change the settings, select **Paper Size** or **Paper Type**, and then go to the next step.


Note:

*If you have disabled the **Paper Configuration** setting, the paper setting screen is not displayed.*

9. Select the paper size and type on each setting screen. Touch **Done** on the paper settings confirmation screen.

Note:

You can also display the paper size and paper type settings screen by selecting **Setup > Printer Setup > Paper Source Setting > Paper Setup**.

The output tray slides out automatically when printing starts. To eject the tray before printing starts, press the  button.

Related Information


- ➔ [“Paper Handling Precautions” on page 38](#)
- ➔ [“Available Paper and Capacities” on page 39](#)

Loading Paper in the Rear Paper Feed Slot

You can load a single sheet of all types of supported paper in the rear paper feed slot. You can also load thick paper (up to 0.6 mm thick) and pre-punched paper, which cannot be loaded in the paper cassette. However, even if the thickness is within this range, some paper may not be fed correctly depending on the hardness.

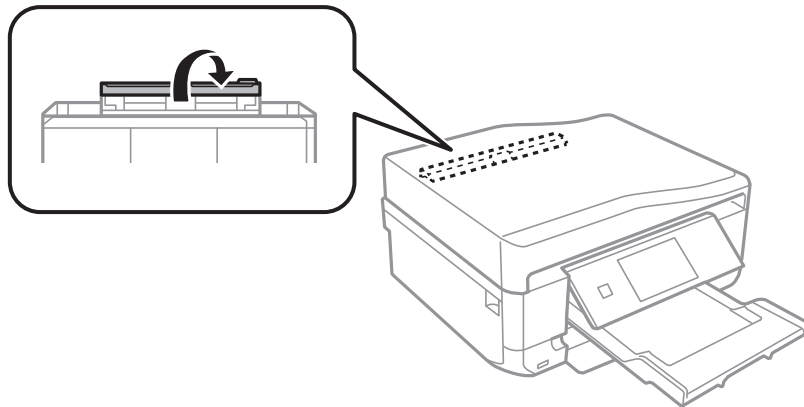
 **Important:**

Send your print job before loading paper. If paper is loaded before sending the print job, an error occurs and the paper is ejected.

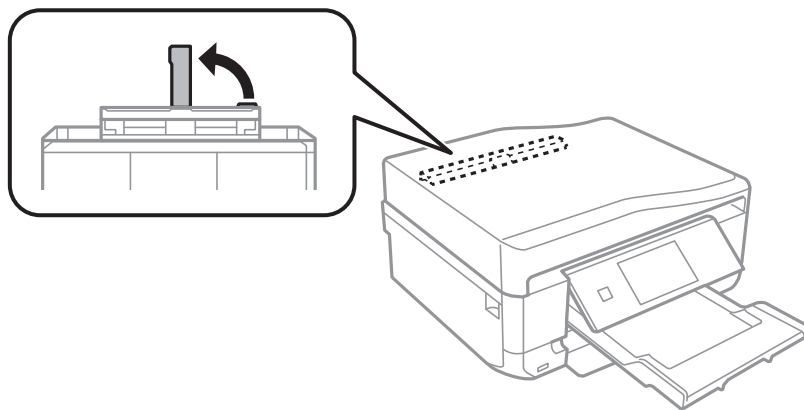
1. Select rear paper feed slot as the paper source from a computer or the control panel, and then send your print job.
 - When printing from the computer: Click **Print** on the printer driver.
 - When printing from the control panel: Press the  button.
2. A message is displayed on the screen telling you that the printer is preparing, and then you are instructed to load paper. Follow the instructions below to load the paper.

Loading Paper

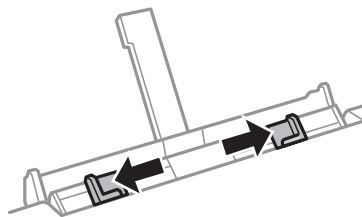
3. Open the rear paper feed slot cover.



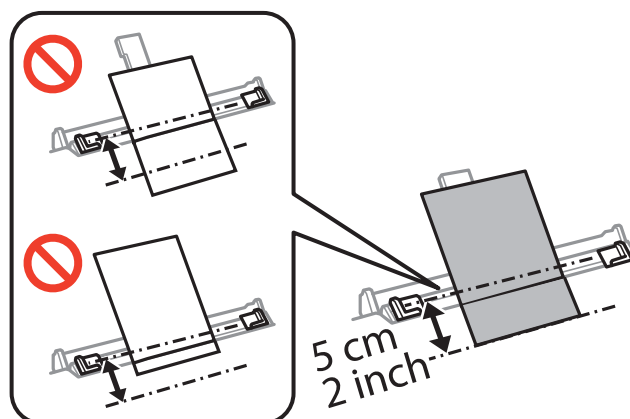
4. Slide out the paper support.



5. Slide out the edge guides.



6. With the printable side facing up, insert a single sheet of paper approximately 5 cm into the printer.



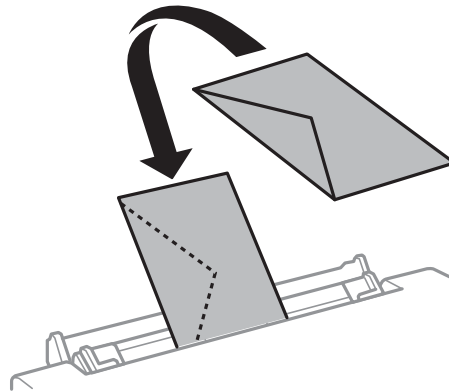
Loading Paper



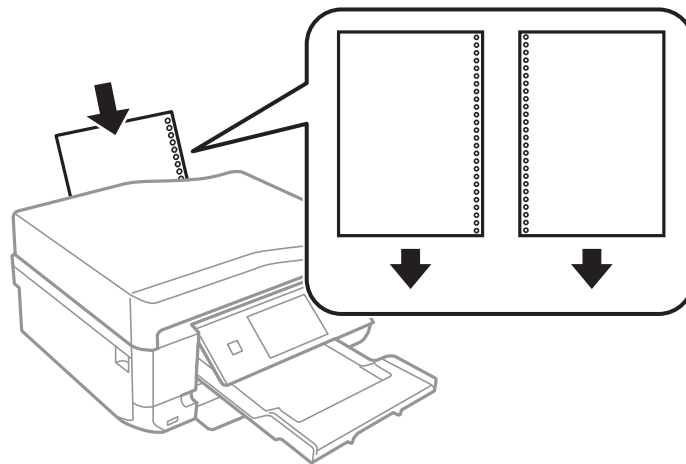
Important:

When loading paper with a defined size, align it with the paper size indicator on the paper support.

Envelopes



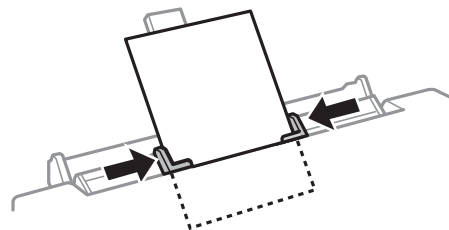
Pre-punched paper




Note:

- Load a single sheet of paper without binding holes at the top and bottom.
- Adjust the print position of your file to avoid printing over the holes.


7. Slide the edge guides to the edges of the paper.



Loading Paper

8. Press the  button.

Note:

The output tray slides out automatically when printing starts. To eject the tray before printing starts, press the  button.

Related Information

- ➔ [“Paper Handling Precautions” on page 38](#)
- ➔ [“Available Paper and Capacities” on page 39](#)

Placing Originals

Place originals on the scanner glass or the ADF (ADF-equipped printers only). Use the scanner glass for originals that the ADF does not support.

You can scan multiple originals and both sides of the originals at the same time with the ADF.

Placing Originals on the Scanner Glass



Caution:

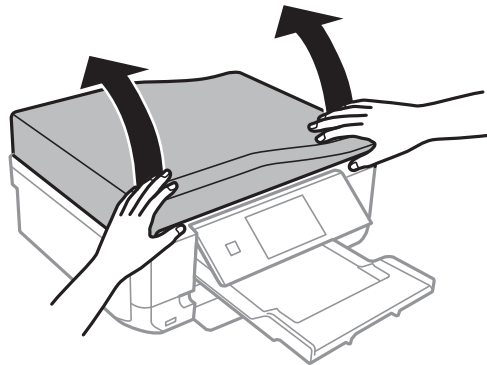
Be careful not to trap your hand or fingers when opening or closing the document cover. Otherwise you may be injured.



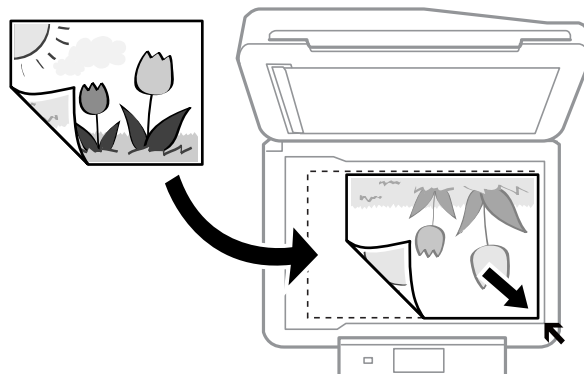
Important:

When placing bulky originals such as books, prevent exterior light from shining directly onto the scanner glass.

1. Open the document cover.



2. Remove any dust or stains on the scanner glass.
3. Place the original face-down and slide it to the corner mark.

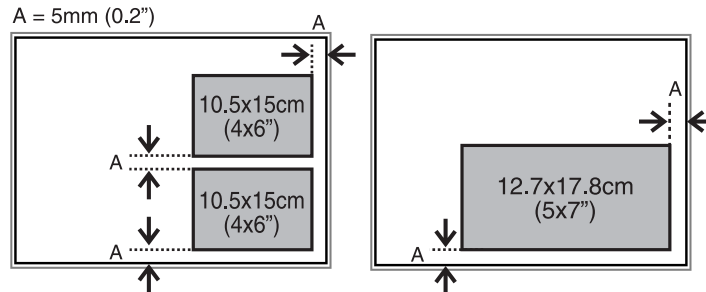


Note:

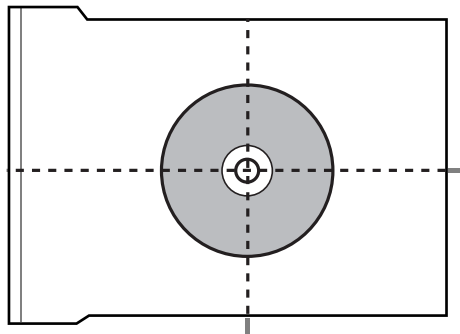
A range of 1.5 mm from the edges of the scanner glass is not scanned.

Placing Originals

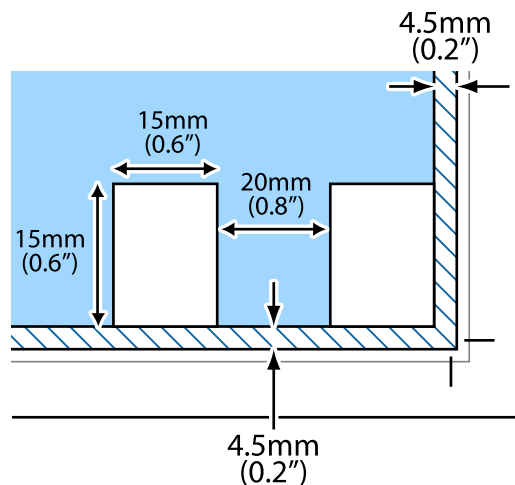
- When copying photos, place the photos 5 mm apart from the edges of the scanner glass. You can place up to two photos at the same time (depending on the size of originals). Leave 5 mm between photos. You can place photos of different sizes at the same time. The photos should be larger than 30 x 40mm.



- To copy a CD/DVD label, place the CD/DVD in the center of the scanner glass. If the CD/DVD is not placed exactly in the center, the positioning is automatically adjusted.



- If you are scanning using **Full Auto Mode** or thumbnail preview in EPSON Scan, place the original 4.5 mm away from the edges of the scanner glass. Place multiple photos at least 20 mm apart from each other. The photos should be larger than 15 x 15 mm.



Placing Originals

4. Close the cover gently.

Note:

Remove the originals after scanning or copying. If you leave the originals on the scanner glass for a long time, they may stick to the surface of the glass.

Available Originals for the ADF (ADF-equipped Printers Only)

Place the originals in the ADF to automatically scan both sides of the originals. For Legal size originals, only single-sided scanning is supported.

Available Paper Sizes	A4, Letter*, Legal*
Paper Type	Plain paper
Paper Thickness (Weight of Paper)	64 to 95 g/m ²
Loading Capacity	A4, Letter: 30 sheets or 3mm Legal: 10 sheets

* Not supported for copying.

To prevent paper jams, avoid placing the following originals in the ADF. For these types of originals, use the scanner glass.

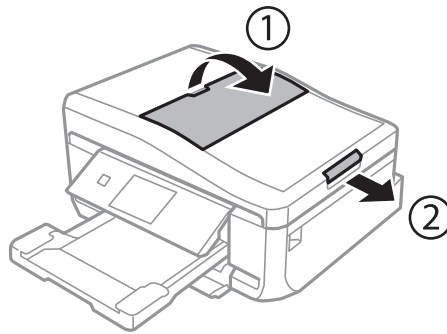
- Originals that are torn, folded, wrinkled, deteriorated, or curled
- Originals with binder holes
- Originals held together with tape, staples, paper clips, and so on
- Originals that have stickers or labels stuck to them
- Originals that are cut irregularly or not right angled
- Originals that are bound
- OHPs, thermal transfer paper, or carbon backs

Placing Originals on the ADF (ADF-equipped Printers Only)

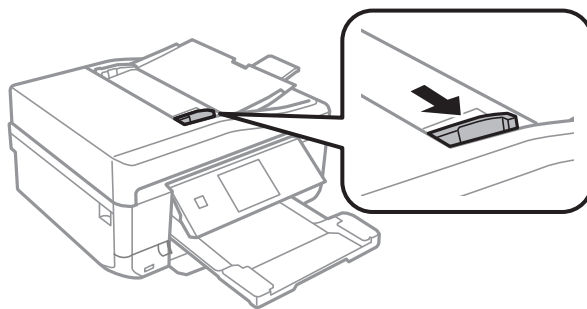
1. Align the edges of the originals.

Placing Originals

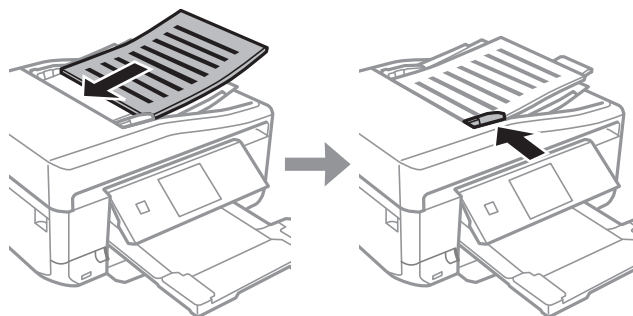
2. Open the ADF input tray and extend the ADF output tray extension.



3. Slide out the ADF edge guide.



4. Place the originals face-up in the ADF, and then slide the ADF edge guide to the edge of the originals.



! **Important:**

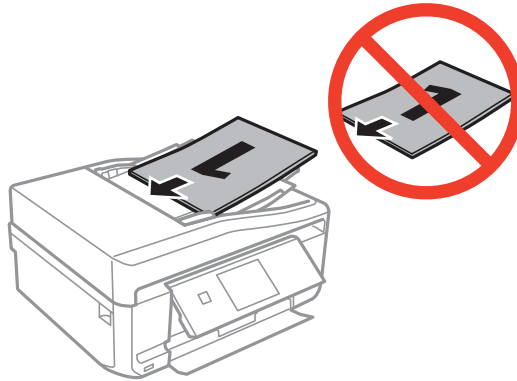
- Do not load originals above the line indicated by the triangle symbol on the ADF edge guide.
- Do not add originals while scanning.

Placing Originals

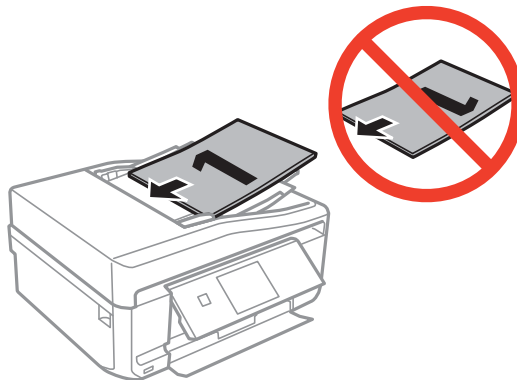
Note:

A4, 2-up Copy

Load portrait originals as shown below, and then select **Portrait** as the **Document Orientation** setting.



Load landscape originals as shown below, and then select **Landscape** as the **Document Orientation** setting.

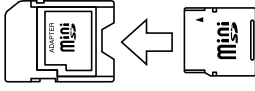



Related Information

➔ [“Available Originals for the ADF \(ADF-equipped Printers Only\)” on page 54](#)

Inserting a Memory Card

Supported Memory Cards

	miniSD* miniSDHC* microSD* microSDHC* microSDXC*
	SD SDHC SDXC

* Attach an adapter to fit the memory card slot. Otherwise, the card may get stuck.

Related Information

➔ [“Supported Memory Card Specifications” on page 188](#)

Inserting and Removing a Memory Card

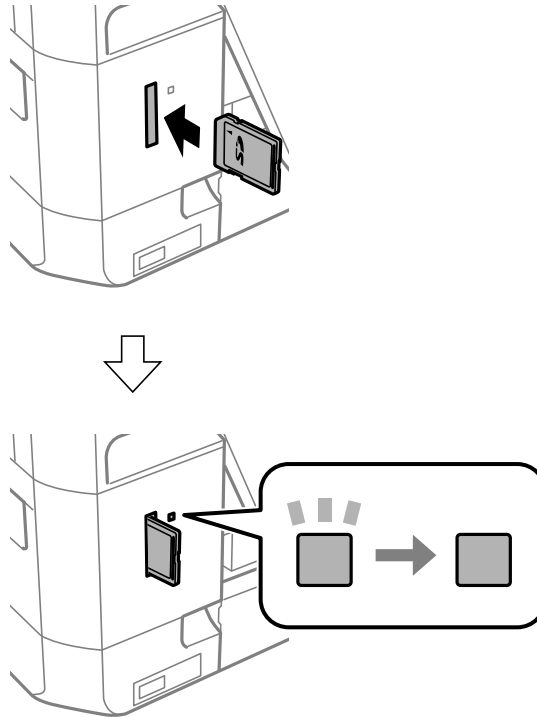
1. Insert a memory card into the printer.

The printer starts reading the data and the light flashes. When reading is complete, the light stops flashing and remains on.

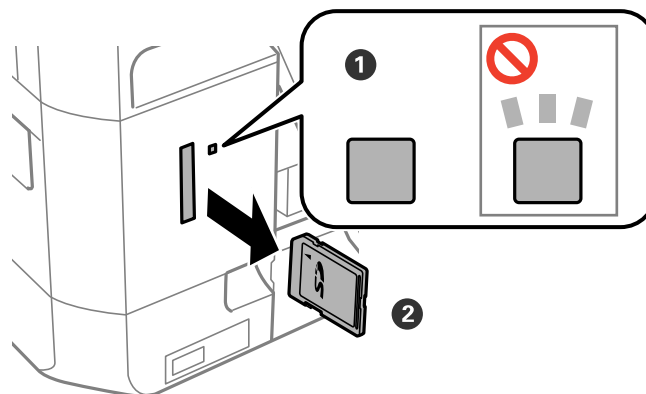
Inserting a Memory Card

! *Important:*

Do not try to force the card all the way into the slot. It should not be fully inserted.



2. When you have finished using the memory card, make sure the light is not flashing, and then remove the card.



! *Important:*

If you remove the memory card while the light is flashing, the data in the memory card may be lost.

Note:

If you access the memory card from a computer, you need to operate the computer to safely remove the removal device.

Inserting a Memory Card

Related Information

- ➔ [“Accessing a Memory Card From a Computer” on page 198](#)

Loading a CD/DVD for Printing

Printable CD/DVDs

You can print on a circular 12-cm CD/DVD labelled as suitable for printing, for example "printable on the label surface" or "printable with ink jet printers." To print on a high-quality CD/DVD, select **CD/DVD Premium Surface** as the **Paper Type** in the printer driver.

You can also print on Blu-ray Discs™.

CD/DVD Handling Precautions

- See the documentation provided with your CD/DVD for more information on handling the CD/DVD or writing data.
- Do not print on the CD/DVD before writing your data to it. If you do, fingerprints, dirt, or scratches on the surface may cause errors while writing data.
- Depending on the CD/DVD type or printing data, smearing may occur. Try making a test print on a spare CD/DVD. Check the printed surface after waiting for one full day.
- Compared to printing on genuine Epson paper, the print density is lowered to prevent ink from smearing on the CD/DVD. Adjust the print density as necessary.
- Allow the printed CD/DVDs at least 24 hours to dry avoiding direct sunlight. Do not stack or insert the CD/DVDs into your device until they are completely dry.
- If the printed surface is sticky even after it has dried, lower the print density.
- Reprinting on the same CD/DVD may not improve the print quality.
- If the CD/DVD tray or the internal transparent compartment are accidentally printed on, immediately wipe off the ink.
- Depending on the print area setting, the CD/DVD or CD/DVD tray may get dirty. Make settings to print on the printable area.

Related Information

➔ [“Epson Print CD” on page 154](#)


Loading a CD/DVD

Important:

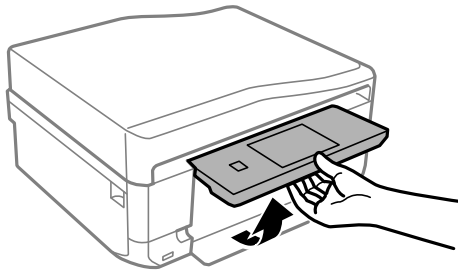
- Before printing on the CD/DVD, see the CD/DVD handling precautions.
- Do not insert the CD/DVD tray while the printer is operating. This may damage the printer.
- Do not insert the CD/DVD tray until you are instructed to do so. Otherwise, an error occurs and the CD/DVD is ejected.

Loading a CD/DVD for Printing

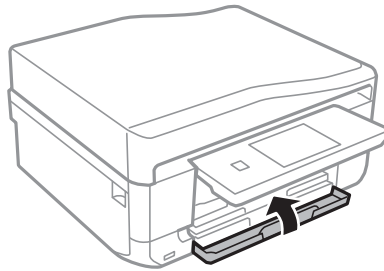
Note:

When the output tray is ejected, check that there is no paper on the tray, and then close it by pressing the  button or pushing it with your hand.

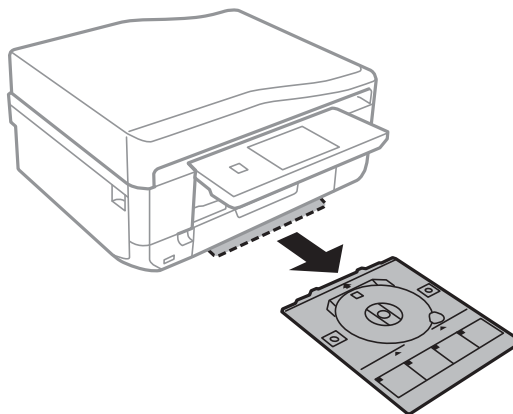
1. Send print data from a computer, or select a menu to print on the CD/DVD and follow the on-screen instructions on the control panel.
2. A message is displayed on the screen telling you that the printer is preparing, and then you are instructed to load a CD/DVD. Follow the instructions below to load the CD/DVD.
3. Raise the control panel.



4. Close the front cover.

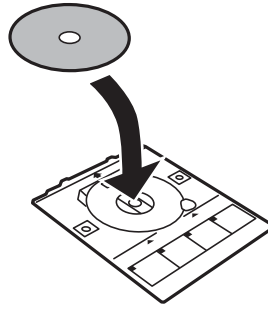


5. Remove the CD/DVD tray from the bottom of the printer

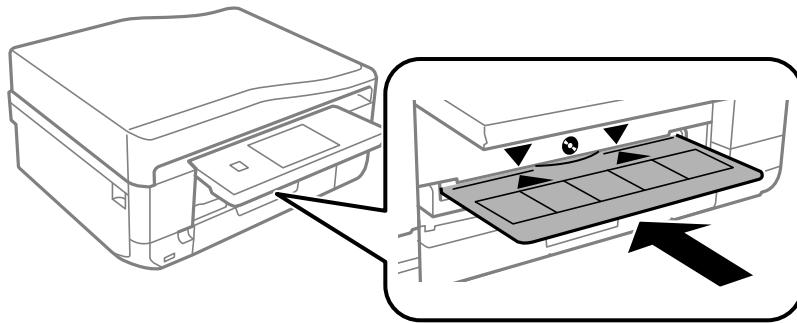


Loading a CD/DVD for Printing

6. Place a CD/DVD on the CD/DVD tray with the printable side face-up.



7. Insert the CD/DVD tray into the printer. Line up the alignment marks on the printer and the tray.



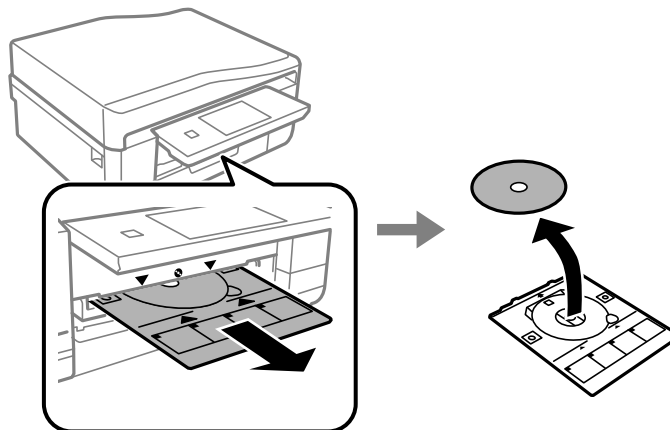
8. Select **Ready**, and then touch **OK**.

Related Information

- ➔ [“Printable CD/DVDs” on page 60](#)
- ➔ [“CD/DVD Handling Precautions” on page 60](#)

Removing a CD/DVD

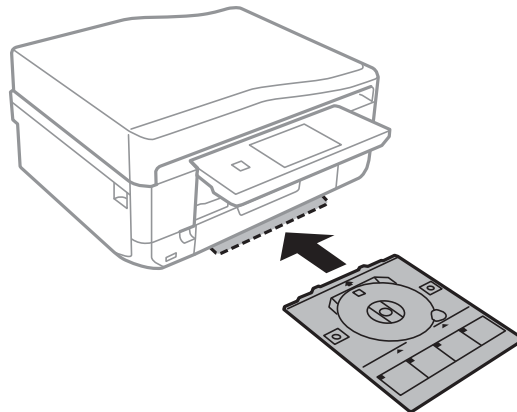
1. Remove the CD/DVD tray when it is ejected automatically after printing, and then remove the CD/DVD from the tray.



2. Touch **OK**.

Loading a CD/DVD for Printing

3. Insert the CD/DVD tray back into the slot on the bottom of the printer.



! *Important:*

After printing is finished, make sure you remove the CD/DVD tray and store it at the bottom of the printer. If you do not remove the tray and turn the printer on or off, or run head cleaning, the CD/DVD tray will strike the print head and may cause the printer to malfunction.

Related Information

➔ [“CD/DVD Handling Precautions” on page 60](#)

Printing


Printing from the Control Panel

Printing Photos by Selecting from a Memory Card

1. Load paper in the printer.



Important:

- When loading in the paper cassette, make the paper settings on the control panel.
- When loading in the rear paper feed slot, select the rear paper feed slot as the paper source, and then press the  button before loading paper.

2. Insert a memory card into the printer.



Important:

Do not remove the memory card until you have finished printing.

Note:



- Remove the memory card when printing from an external storage device such as a hard disk or USB flash memory.
- If you have 1000 or more photos on your memory card, photos are automatically divided into groups containing a maximum of 999 photos and the Select Group screen is displayed. Select a group containing the photos you want to print.

3. Select **Print Photos** on the control panel.





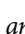
4. Select a photo you want to print from the screen displaying a thumbnail view.

Note:

- If you have a lot of photos on your memory card, you can sort photos to select them easily by pressing **Options** > **Browse**.
- If you want to change the group displayed when you have 1000 or more photos on your memory card, select a group by pressing **Options** > **Select Location** > **Select Group**.



5. Select a photo using  or , and then set the number of copies using – or +. When printing more than one photo, repeat this procedure.

Note:

- If you want to show a photo without indicators, such as buttons when one photo is displayed on a screen, press anywhere on the screen except for the buttons. Press anywhere again to show the buttons.
- Press **Edit**, and then select **Crop/Zoom** to crop a part of a photo. Use , , , or  on the screen to move the frame to the area you want to crop, and then press – or + to change the size of the frame. Press the  button to rotate the frame.

6. Press **Settings** to make the paper and print settings.

Printing

- Press the  button. When printing from the rear paper feed slot, press the  button, and then load paper when you are instructed to do so.

Related Information

- ➔ “Loading Paper in the Paper Cassette 1” on page 41
- ➔ “Loading Paper in the Paper Cassette 2” on page 44
- ➔ “Loading Paper in the Rear Paper Feed Slot” on page 48
- ➔ “List of Paper Types” on page 40
- ➔ “Inserting a Memory Card” on page 57
- ➔ “Print Photos Mode” on page 22

Printing Photos from a Memory Card onto a CD/DVD Label



You can select photos stored on a memory card to print onto a CD/DVD label.

- Insert a memory card into the printer.

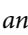

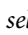
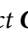




Important:

Do not remove the memory card until you have finished printing.

- From the **Menus** screen, select **More Functions** > **Print on CD/DVD**.
- Select the layout.
- Check the screen, and then press **Proceed**. For **CD/DVD 4-up**, select whether to place photos automatically or manually.
- Select a photo, set the number of copies, and then press **Proceed**. When placing photos manually for **CD/DVD 4-up**, after displaying the photo you want to print using  or , press **Place Photo**. If you want to leave a blank space, press **Leave Blank**.

Note:

- The available number of copies is displayed at the top of the screen where you select the photos you want to print and the number of copies. You can select photos until 0 is indicated.*
- Press **Edit**, and then select **Crop/Zoom** to crop a part of a photo. Use , , , or  on the screen to move the frame to the area you want to crop, and then press **-** or **+** to change the size of the frame.*

- Set the outer and inner diameter using  or , and then press **Proceed**.


Note:

You can set 114 to 120 mm as the outer diameter, and 18 to 46 mm as the inner diameter in 1 mm increments.


- Select **Print on a CD/DVD**.

Note:

*For test printing, select **Test print on A4 paper**, and then load A4 plain paper in the paper cassette. You can check the printout image before printing on a CD/DVD label.*

- A message is displayed on the screen telling you that the printer is getting ready. You are then instructed to load a CD/DVD. Press  to check the instructions and load a CD/DVD.

Printing

9. Press **Ready**, a message is displayed telling you that the printer is ready, and then press **OK**.
10. Change the print density settings as necessary.
11. Press the  button.
12. When printing has finished, the CD/DVD tray is ejected. Remove the tray from the printer, and then press **OK**.
13. Remove the CD/DVD and store the CD/DVD tray on the bottom of the printer.

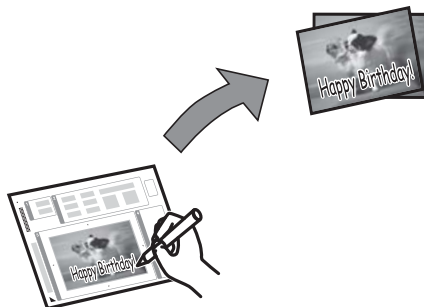
Related Information

- ➔ [“Inserting a Memory Card” on page 57](#)
- ➔ [“More Functions Mode” on page 26](#)
- ➔ [“Loading a CD/DVD” on page 60](#)
- ➔ [“Removing a CD/DVD” on page 62](#)

Printing Photos from a Memory Card with Handwritten Notes

You can print a photo on a memory card with handwritten text or drawings. This allows you to create original cards such as New Year's cards or Christmas cards.

First select a photo and print a template on plain paper. Write or draw on the template and then scan it with the printer. You can then print the photo with your own personal notes and drawings.



1. Insert a memory card into the printer.



Important:

Do not remove the memory card until you have finished printing.



2. Select **More Functions** > **Greeting Card** > **Select Photo and Print Template** on the control panel.
3. Select a photo on the screen displaying a thumbnail view, and then press **Proceed**.
4. Make print settings such as the paper size or layout for printing the photo, and then press **Proceed**.

Printing

5. Load A4 plain paper in paper cassette 2 to print a template.

**Important:**

Make the paper settings on the control panel.

6. Press the  button to print a template.
7. Follow the instructions on the template to write and draw.
8. Press  to close the output tray. Load paper that matches the paper type and size indicated on the right of the template in paper cassette 1.


**Important:**

Make the paper settings on the control panel.

9. Select **Print Greeting Cards from Template**.
10. Check the screen, place the written template on the scanner glass, and then press **Proceed**.

Note:

Make sure that the text on the template is completely dry before placing it on the scanner glass. If there are stains on the scanner glass, the stains are also printed on the photo.

11. Set the number of copies, and then press the  button.

Note:

*Press **Edit** to adjust the colors in the photos.*

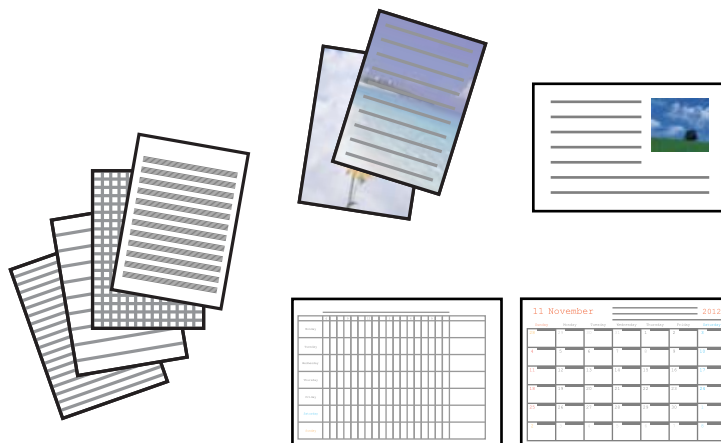
Related Information

- ➔ [“Inserting a Memory Card” on page 57](#)
- ➔ [“Loading Paper in the Paper Cassette 2” on page 44](#)
- ➔ [“Loading Paper in the Paper Cassette 1” on page 41](#)
- ➔ [“List of Paper Types” on page 40](#)
- ➔ [“Placing Originals on the Scanner Glass” on page 52](#)

Printing


Printing Original Writing Paper and Calendars

You can easily print lined paper, calendars, original writing paper and greeting cards using the **Personal Stationery** menu.



1. Load paper in the printer.

! Important:

- When loading in the paper cassette, make the paper settings on the control panel.
- When loading in the rear paper feed slot, select the rear paper feed slot as the paper source, and then press the  button before loading paper.

2. To print writing paper or greeting cards using a photo on your memory card, insert the memory card into the printer.
3. Select **More Functions** > **Personal Stationery** from the home screen.
4. Select a menu item.

Note:

When printing greeting cards, you can add an image stored in the printer instead of using a photo on your memory card. To add an image stored in the printer, select **Template Art**.

5. Follow the on-screen instructions to print.

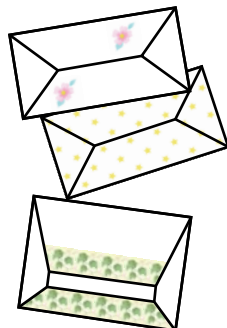
Related Information


- ➔ [“Loading Paper in the Paper Cassette 2” on page 44](#)
- ➔ [“Loading Paper in the Rear Paper Feed Slot” on page 48](#)
- ➔ [“List of Paper Types” on page 40](#)
- ➔ [“Inserting a Memory Card” on page 57](#)
- ➔ [“More Functions Mode” on page 26](#)

Printing

Printing Original Envelopes

You can create original envelopes by adding an image stored in the printer using the **Personal Stationery** menu. You can use the same image to print greeting cards that match the envelopes.



1. Enter **More Functions** from the home screen.
2. Select **Personal Stationery**.
3. Select **Origami**.
4. Select **Origami Envelope**.
5. Select the image you want to print on the envelopes.
6. Change the image position and the fold line settings as necessary.
7. Press **Proceed**.
A screen indicating the print position of the image, and whether to print fold lines is displayed.
8. Check the settings, and then press **Proceed**.
9. Select the size of the envelopes.
10. Load A4 plain paper in the paper cassette, and then press **Proceed**.
11. Set the number of copies, and then press the  button.

Related Information

- ➔ [“More Functions Mode” on page 26](#)
- ➔ [“Loading Paper in the Paper Cassette 2” on page 44](#)


Folding Envelopes

After printing a diagram of an envelope, print an instruction sheet that shows you how to fold the envelope, and then lay the instruction sheet on top of the diagram and fold them together.

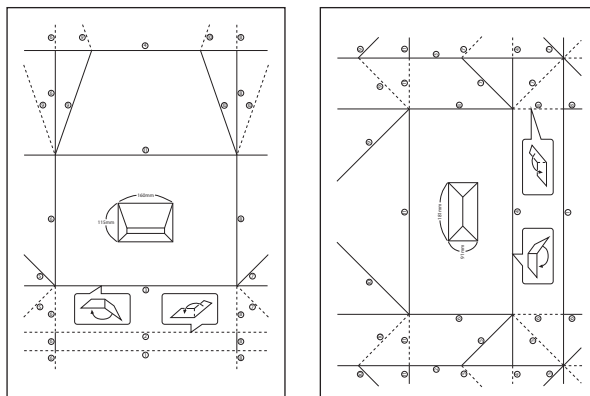
1. Select **Origami Envelope Instruction** from the **Origami** menu.
2. Select the envelope size that you selected when printing the envelope diagram.

Printing

3. Load A4 plain paper in the paper cassette, and then press **Proceed**.

4. Set the number of copies, and then press the  button.

The following instruction sheet is printed.



5. Lay the instruction sheet on top of the envelope diagram, and then fold them together following the instructions on the instruction sheet.

6. When finished, unfold them and remove the instruction sheet, and then fold only the envelope diagram again along its creases.

Printing Photos Using Other Features

This section introduces the other printing features available using the control panel.

Printing in Various Layouts

You can print the photos on your memory card in various layouts such as 2-up, 4-up, and upper half.



Select **More Functions** > **Photo Layout Sheet** from the home screen, and then follow the on-screen instructions to print.

Related Information

➔ [“More Functions Mode” on page 26](#)

Printing

Printing a Coloring Book

You can print a coloring sheet by extracting only the outline of photos or illustrations. This allows you to create unique coloring books.



Note:

Unless they are being used for personal use (at home or other restricted areas), you need permission from the copyright holder when using copyright protected originals to create a coloring book.

Select **More Functions** > **Coloring Book**, select whether to scan an original or use a photo on a memory card to print a coloring book, and then follow the on-screen instructions.

Related Information




➔ [“More Functions Mode” on page 26](#)

DPOF Printing

This printer is compatible with DPOF (Digital Print Order Format) Ver. 1.10. DPOF is a format that stores additional information for photos such as the date, time, user name, and printing information. DPOF-compatible cameras allow you to set which image on a memory card to print and the number of copies. When the memory card is inserted into the printer, the photos selected by the camera are printed.

Note:

For information on making print settings on your camera, see the documentation provided with your camera.

When you insert a memory card into the printer, a confirmation screen is displayed. Select **Yes** to display the print settings screen. Press the  button to start printing. If you want to change the print settings, display the items using the  or  button, and then make settings. Setting items are the same as in **Print Photos** mode.

Related Information

➔ [“Print Photos Mode” on page 22](#)

Printing from a Computer

Printing Basics - Windows

Note:

- See the online help for explanations of the setting items. Right-click an item, and then click **Help**.
- Operations differ depending on the application. See the application's help for details.

Printing

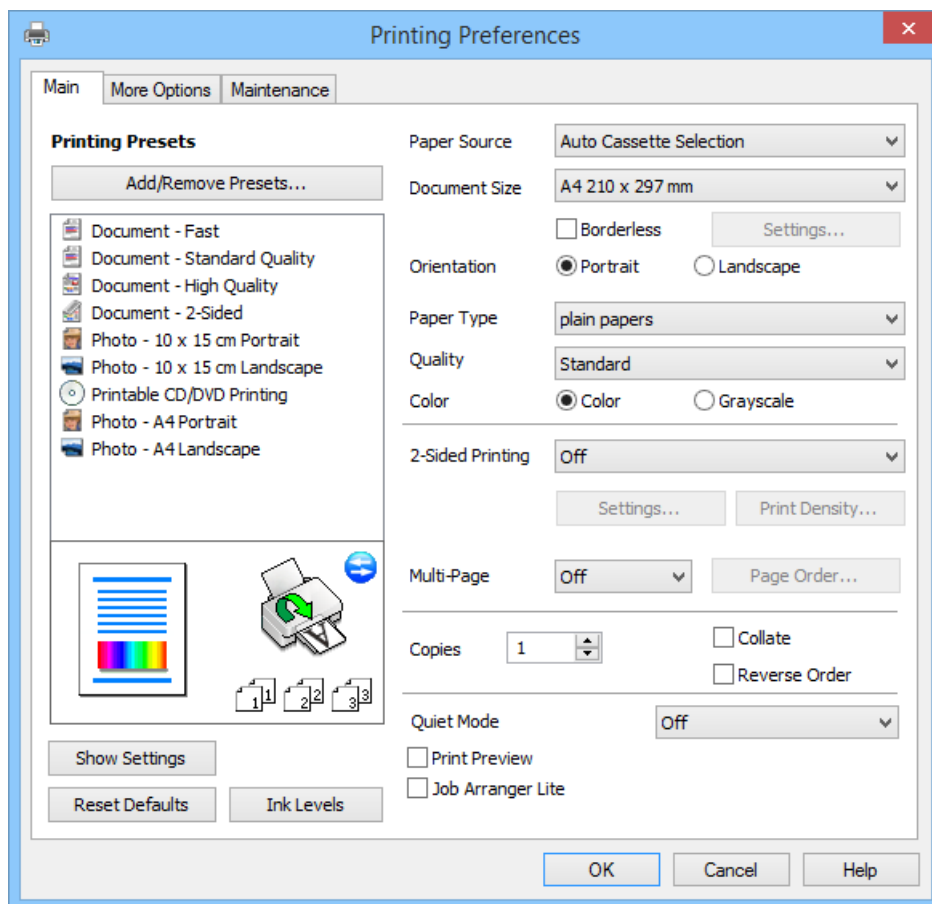
1. Load paper in the printer.



Important:

- When loading in the paper cassette, make the paper settings on the control panel.
- When loading in the rear paper feed slot, start printing from the printer driver before loading paper. Select *Rear Paper Feed Slot* as the *Paper Source* setting on the printer driver. When printing starts, the printer driver tells you that printing is in progress. Follow the printer's on-screen instructions to load paper.

2. Open the file you want to print.
3. Select **Print** or **Print Setup** from the **File** menu.
4. Select your printer.
5. Select **Preferences** or **Properties** to access the printer driver window.



6. Make the following settings.

- Paper Source: Select the paper source in which you loaded the paper.

If the printer has only one paper source, this item is not displayed.

- Document Size: Select the paper size you loaded in the printer.

- Borderless: Select to print with no margins around the image.

In borderless printing, the print data is enlarged slightly more than the paper size so that no margins are printed around the edges of the paper. Click **Settings** to select the amount of enlargement.

Printing

- Orientation: Select the orientation you set in the application.
- Paper Type: Select the type of paper you loaded.
- Color: Select **Grayscale** when you want to print in black or shades of gray.

Note:

*When printing on envelopes, select **Landscape** as the **Orientation** setting.*

7. Click **OK** to close the printer driver window.
8. Click **Print**.

Related Information

- ➔ [“Available Paper and Capacities” on page 39](#)
- ➔ [“Loading Paper in the Paper Cassette 1” on page 41](#)
- ➔ [“Loading Paper in the Paper Cassette 2” on page 44](#)
- ➔ [“Loading Paper in the Rear Paper Feed Slot” on page 48](#)
- ➔ [“Guide to Windows Printer Driver” on page 146](#)
- ➔ [“List of Paper Types” on page 40](#)

Printing Basics - Mac OS X

Note:

Operations differ depending on the application. See the application's help for details.

1. Load paper in the printer.



Important:

- When loading in the paper cassette, make the paper settings on the control panel.
- When loading in the rear paper feed slot, select **Rear Paper Feed Slot** as the **Paper Source** setting on the printer driver, and then start printing before loading paper. Start printing, click the printer icon in the **Dock** to display the print screen. Follow the printer's on-screen instructions to load paper.

2. Open the file you want to print.

Printing

3. Select **Print** from the **File** menu or another command to access the print dialog.

If necessary, click **Show Details** or ▼ to expand the print window.

The screenshot shows a print dialog box with the following settings:

- Printer: EPSON XXXX
- Presets: Default Settings
- Copies: 1
- Pages: All (selected), From: 1 to: 1
- Paper Size: A4 (210 by 297 mm)
- Orientation: Portrait (selected)
- Preview: (dropdown menu)
- Auto Rotate: (checked)
- Show Notes: (unchecked)
- Scale: 97 %
- Scale to Fit: (checked)
- Print Entire Image: (checked)
- Fill Entire Paper: (unchecked)
- Copies per page: 1

Buttons: Cancel, Print

4. Make the following settings.

- Printer: Select your printer.
- Preset: Select when you want to use the registered settings.
- Paper Size: Select the paper size you loaded in the printer.
When printing with no margins, select a "borderless" paper size.
- Orientation: Select the orientation you set in the application.

Note:


When printing on envelopes, select landscape orientation.

Printing

5. Select **Print Settings** from the pop-up menu.

Note:

On Mac OS X v10.8.x or later, if the **Print Settings** menu is not displayed, the Epson printer driver has not been installed correctly.

Select **System Preferences** from the  menu > **Printers & Scanners** (or **Print & Scan, Print & Fax**), remove the printer, and then add the printer again. See the following to add a printer.


<http://epson.sn>

6. Make the following settings.

- Paper Source: Select the paper source in which you loaded the paper.

If the printer has only one paper source, this item is not displayed.

If you enable the **Automatic Tray Switching** function, the printer automatically feeds paper from paper cassette 2 when paper runs out in paper cassette 1. Load the same paper (type and size) in paper cassette 1 and paper cassette 2.

To enable the **Automatic Tray Switching** function, select **System Preferences** from the  menu > **Printers & Scanners** (or **Print & Scan, Print & Fax**), and then select the printer. Make settings on the screen displayed by clicking **Options & Supplies** > **Options** (or **Driver**).

- Media Type: Select the type of paper you loaded.
- Expansion: Available when selecting a borderless paper size.

In borderless printing, the print data is enlarged slightly more than the paper size so that no margins are printed around the edges of the paper. Select the amount of enlargement.

- Grayscale: Select to print in black or shades of gray.

7. Click **Print**.

Printing

Related Information

- ➔ [“Available Paper and Capacities” on page 39](#)
- ➔ [“Loading Paper in the Paper Cassette 1” on page 41](#)
- ➔ [“Loading Paper in the Paper Cassette 2” on page 44](#)
- ➔ [“Loading Paper in the Rear Paper Feed Slot” on page 48](#)
- ➔ [“Guide to Mac OS X Printer Driver” on page 150](#)
- ➔ [“List of Paper Types” on page 40](#)

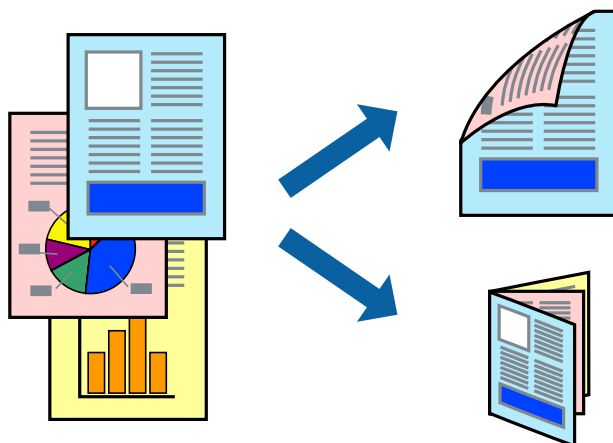
Printing on 2-Sides

You can use either of the following methods to print on both sides of the paper.

- Automatic 2-sided printing
- Manual 2-sided printing (for Windows only)

When the printer has finished printing the first side, flip the paper over to print on the other side.

You can also print a booklet that can be created by folding the printout. (For Windows only)



Note:

- This feature is not available for borderless printing.
- 2-sided printing is not available using the Rear Paper Feed Slot.
- If you do not use paper that is suitable for 2-sided printing, the print quality may decline and paper jams may occur.
- Depending on the paper and the data, ink may bleed through to the other side of the paper.

Related Information

- ➔ [“Available Paper and Capacities” on page 39](#)

Printing on 2-Sides (for Windows only)

Note:

- Manual 2-sided printing is only available when **EPSON Status Monitor 3** is enabled. If **EPSON Status Monitor 3** is disabled, access the printer driver, click **Extended Settings** on the **Maintenance** tab, and then select **Enable EPSON Status Monitor 3**.
- 2-sided printing may not be available when the printer is accessed over a network or is used as a shared printer.

Printing

1. Load paper in the printer.
2. Open the file you want to print.
3. Access the printer driver window.
4. Select **Auto (Long-edge binding)**, **Auto (Short-edge binding)**, **Manual (Long-edge binding)**, or **Manual (Short-edge binding)** from **2-Sided Printing** on the **Main** tab.
5. Click **Settings**, make the appropriate settings, and then click **OK** to close the window.

Note:

*To print as a booklet, select **Booklet**.*

6. Click **Print Density**, set **Select Document Type**, and then click **OK** to close the window.
The printer driver automatically sets the **Print Density** options for that document type.

Note:

*For manual 2-sided printing, the **Print Density** setting is not available.*

*For automatic 2-sided printing, printing may be slow depending on the combination of options selected for **Select Document Type** in the **Print Density** window, and for **Quality** on the **Main** tab.*

7. Set the other items on the **Main** and **More Options** tabs as necessary, and then click **OK**.
8. Click **Print**.

For manual 2-sided printing, when the first side has finished printing, a pop-up window is displayed on the computer. Follow the on-screen instructions.

Related Information

- ➔ [“Loading Paper in the Paper Cassette 1” on page 41](#)
- ➔ [“Loading Paper in the Paper Cassette 2” on page 44](#)
- ➔ [“Printing Basics - Windows” on page 71](#)

Printing on 2-Sides - Mac OS X

1. Load paper in the printer.
2. Open the file you want to print.
3. Access the printer driver window.
4. Select **Two-sided Printing Settings** from the pop-up menu, and then select the bindings in **2-sided Printing**.
5. Select **Document Type**.

Note:

*Printing may be slow depending on the **Document Type** setting.*

*If you are printing high-density data such as photos or graphs, select **Text with Photo** or **Photo** as the **Document Type** setting. If scuffing occurs or the image bleeds through to the reverse side, adjust the print density and ink drying time by clicking the arrow mark next to **Adjustments**.*

6. Set the other items as necessary.

Printing

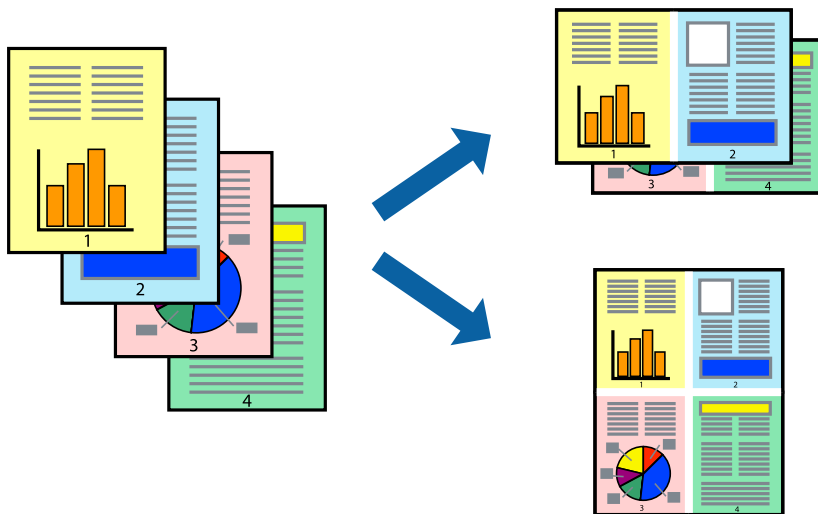
- Click **Print**.

Related Information

- ➔ “Loading Paper in the Paper Cassette 1” on page 41
- ➔ “Loading Paper in the Paper Cassette 2” on page 44
- ➔ “Printing Basics - Mac OS X” on page 73

Printing Several Pages on One Sheet

You can print two or four pages of data on a single sheet of paper.



Printing Several Pages on One Sheet - Windows

Note:

This feature is not available for borderless printing.

- Load paper in the printer.
- Open the file you want to print.
- Access the printer driver window.
- Select **2-Up** or **4-Up** as the **Multi-Page** setting on the **Main** tab.
- Click **Page Order**, make the appropriate settings, and then click **OK** to close the window.
- Set the other items on the **Main** and **More Options** tabs as necessary, and then click **OK**.
- Click **Print**.

Related Information

- ➔ “Loading Paper in the Paper Cassette 1” on page 41
- ➔ “Loading Paper in the Paper Cassette 2” on page 44
- ➔ “Loading Paper in the Rear Paper Feed Slot” on page 48

Printing

➔ [“Printing Basics - Windows” on page 71](#)

Printing Several Pages on One Sheet - Mac OS X

1. Load paper in the printer.
2. Open the file you want to print.
3. Access the print dialog.
4. Select **Layout** from the pop-up menu.
5. Set the number of pages in **Pages per Sheet**, the **Layout Direction** (page order), and **Border**.
6. Set the other items as necessary.
7. Click **Print**.

Related Information

- ➔ [“Loading Paper in the Paper Cassette 1” on page 41](#)
- ➔ [“Loading Paper in the Paper Cassette 2” on page 44](#)
- ➔ [“Loading Paper in the Rear Paper Feed Slot” on page 48](#)
- ➔ [“Printing Basics - Mac OS X” on page 73](#)

Printing to Fit the Paper Size

You can print to fit the paper size you loaded in the printer.



Printing to Fit the Paper Size - Windows

Note:

This feature is not available for borderless printing.

1. Load paper in the printer.
2. Open the file you want to print.

Printing

3. Access the printer driver window.
 4. Make the following settings on the **More Options** tab.
 - Document Size: Select the paper size you set in the application.
 - Output Paper: Select the paper size you loaded in the printer.
Fit to Page is selected automatically.
- Note:**
*If you want to print a reduced image at the center of the page, select **Center**.*
5. Set the other items on the **Main** and **More Options** tabs as necessary, and then click **OK**.
 6. Click **Print**.

Related Information

- ➔ [“Loading Paper in the Paper Cassette 1” on page 41](#)
- ➔ [“Loading Paper in the Paper Cassette 2” on page 44](#)
- ➔ [“Loading Paper in the Rear Paper Feed Slot” on page 48](#)
- ➔ [“Printing Basics - Windows” on page 71](#)

Printing to Fit the Paper Size - Mac OS X

1. Load paper in the printer.
2. Open the file you want to print.
3. Access the print dialog.
4. Select the size of the paper you set in the application as the **Paper Size** setting.
5. Select **Paper Handling** from the pop-up menu.
6. Select **Scale to fit paper size**.
7. Select the paper size you loaded in the printer as the **Destination Paper Size** setting.
8. Set the other items as necessary.
9. Click **Print**.

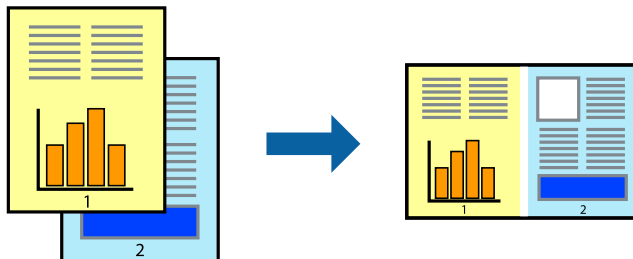
Related Information

- ➔ [“Loading Paper in the Paper Cassette 1” on page 41](#)
- ➔ [“Loading Paper in the Paper Cassette 2” on page 44](#)
- ➔ [“Loading Paper in the Rear Paper Feed Slot” on page 48](#)
- ➔ [“Printing Basics - Mac OS X” on page 73](#)

Printing

Printing Multiple Files Together (for Windows Only)

Job Arranger Lite allows you to combine several files created by different applications and print them as a single print job. You can specify the print settings for combined files, such as layout, print order, and orientation.



Note:

To open a **Print Project** saved in **Job Arranger Lite**, click **Job Arranger Lite** on the printer driver's **Maintenance** tab. Next, select **Open** from the **File** menu to select the file. The extension of the saved files is ".ecl".

1. Load paper in the printer.
2. Open the file you want to print.
3. Access the printer driver window.
4. Select **Job Arranger Lite** on the **Main** tab.
5. Click **OK** to close the printer driver window.
6. Click **Print**.

The **Job Arranger Lite** window is displayed and the print job is added to the **Print Project**.

7. With the **Job Arranger Lite** window opened, open the file that you want to combine with the current file, and then repeat steps 3 to 6.

Note:

If you close the **Job Arranger Lite** window, the unsaved **Print Project** is deleted. To print later, select **Save** from the **File** menu.

8. Select the **Layout** and **Edit** menus in **Job Arranger Lite** to edit the **Print Project** as necessary.
9. Select **Print** from the **File** menu.

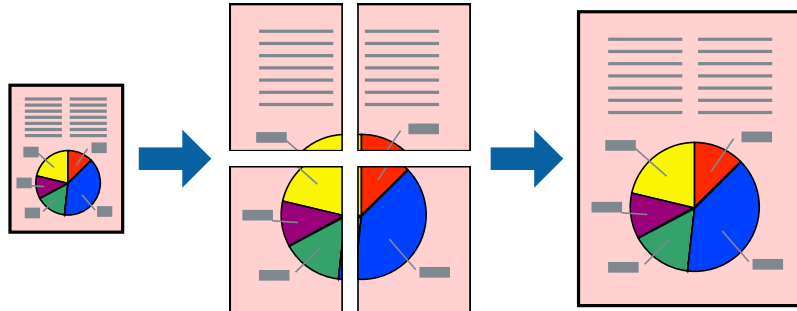
Related Information

- ➔ [“Loading Paper in the Paper Cassette 1” on page 41](#)
- ➔ [“Loading Paper in the Paper Cassette 2” on page 44](#)
- ➔ [“Loading Paper in the Rear Paper Feed Slot” on page 48](#)
- ➔ [“Printing Basics - Windows” on page 71](#)

Printing

Enlarged Printing and Making Posters (for Windows Only)

You can print one image on multiple sheets of paper to create a larger poster. You can print alignment marks that help you stick the sheets together.



Note:

This feature is not available for borderless printing.

1. Load paper in the printer.
2. Open the file you want to print.
3. Access the printer driver window.
4. Select **2x1 Poster**, **2x2 Poster**, **3x3 Poster**, or **4x4 Poster** from **Multi-Page** on the **Main** tab.
5. Click **Settings**, make the appropriate settings, and then click **OK**.
6. Set the other items on the **Main** and **More Options** tabs as necessary, and then click **OK**.
7. Click **Print**.

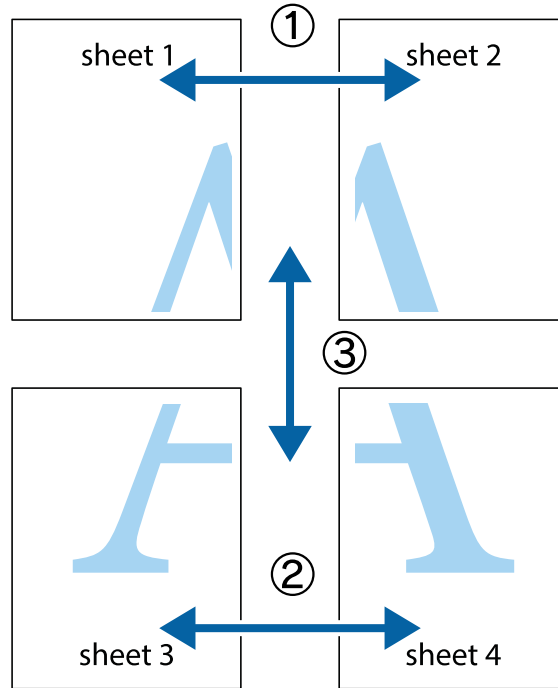
Related Information

- ➔ [“Loading Paper in the Paper Cassette 1” on page 41](#)
- ➔ [“Loading Paper in the Paper Cassette 2” on page 44](#)
- ➔ [“Loading Paper in the Rear Paper Feed Slot” on page 48](#)
- ➔ [“Printing Basics - Windows” on page 71](#)

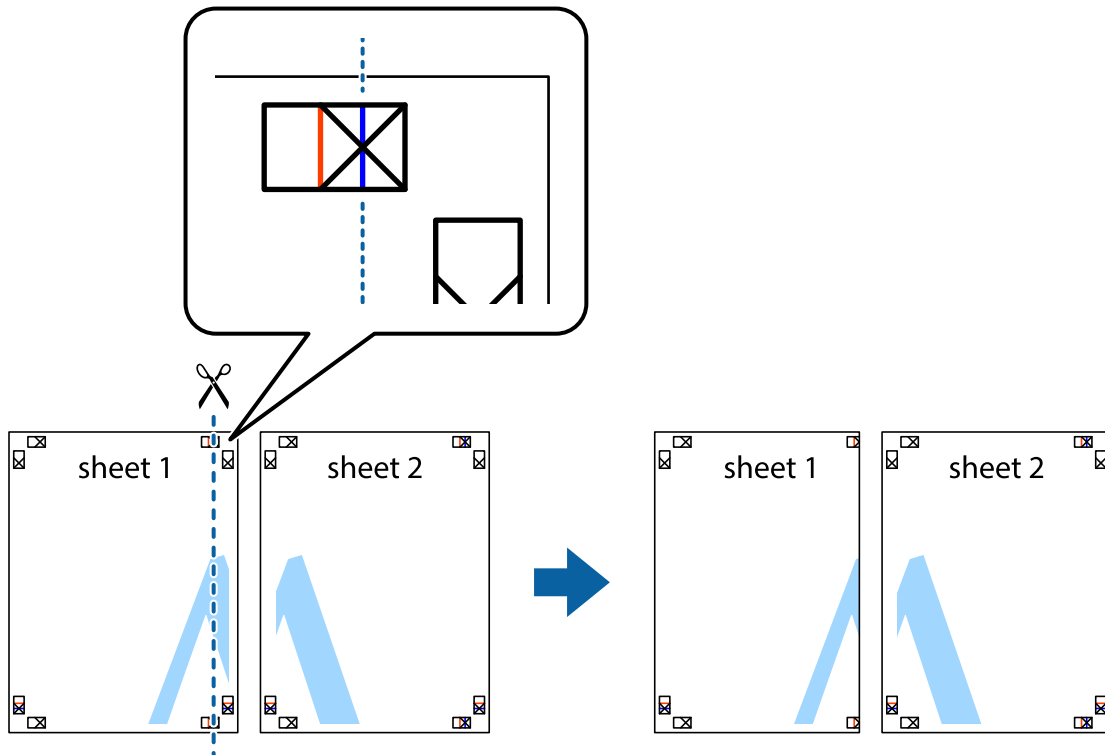
Printing

Making Posters Using Overlapping Alignment Marks

Here is an example of how to make a poster when **2x2 Poster** is selected, and **Overlapping Alignment Marks** is selected in **Print Cutting Guides**.

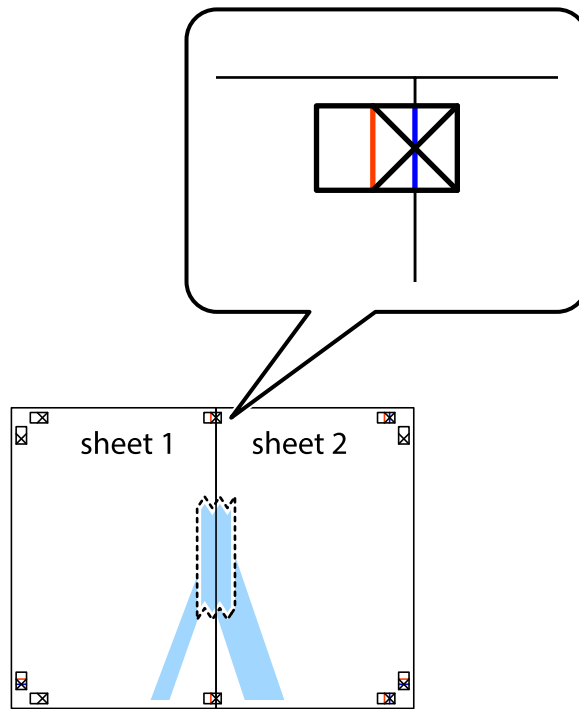


1. Prepare Sheet 1 and Sheet 2. Cut off the margins of Sheet 1 along the vertical blue line through the center of the top and bottom cross marks.

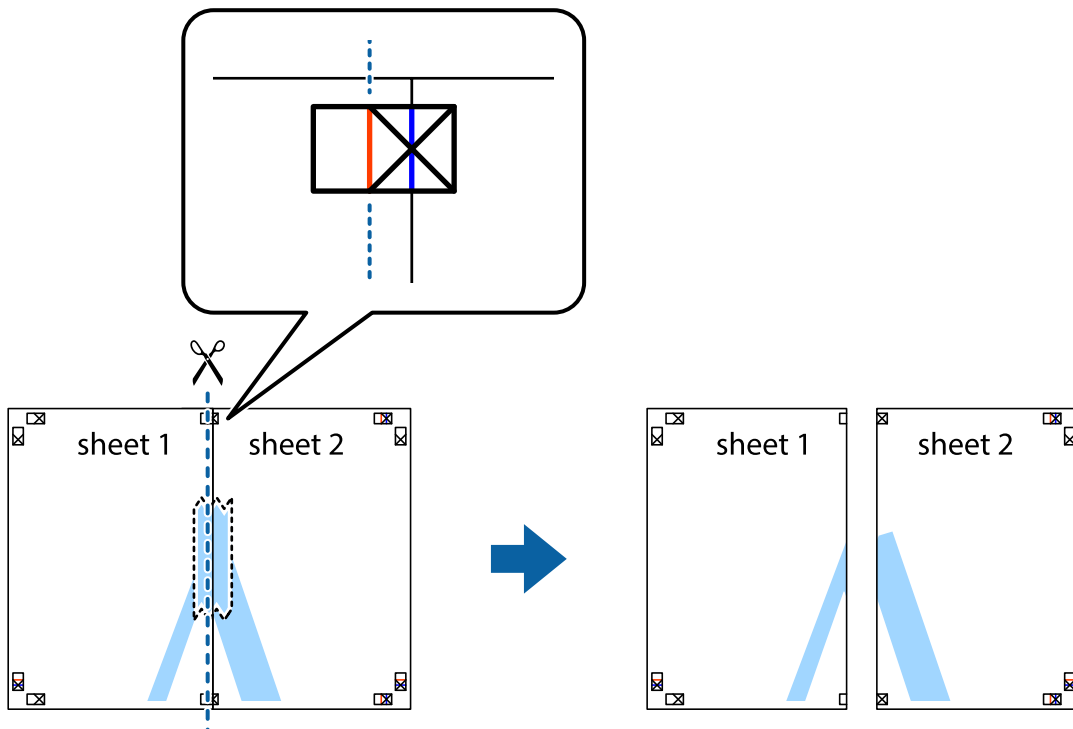


Printing

2. Place the edge of Sheet 1 on top of Sheet 2 and align the cross marks, then temporarily tape the two sheets together from the back.

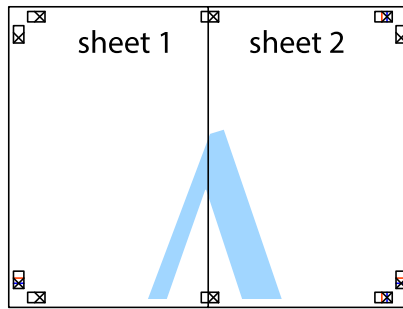


3. Cut the taped sheets in two along the vertical red line through the alignment markers (this time, the line to the left of the cross marks).

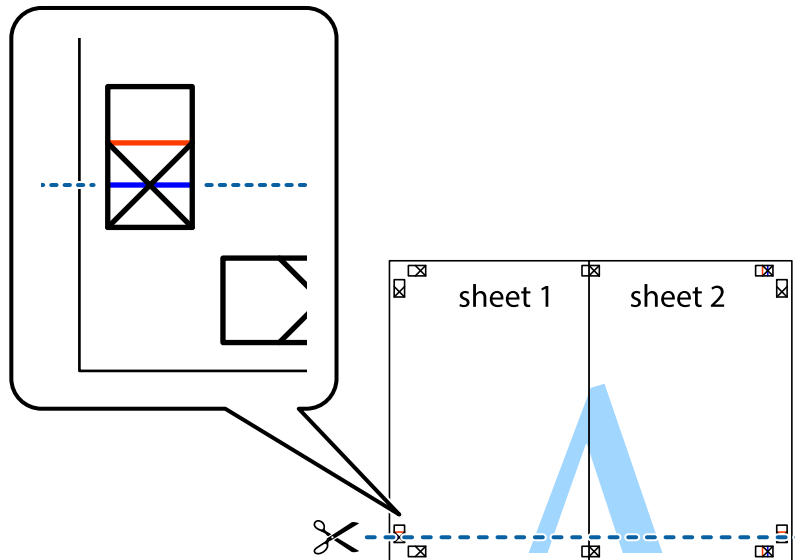


Printing

4. Tape the sheets together from the back.

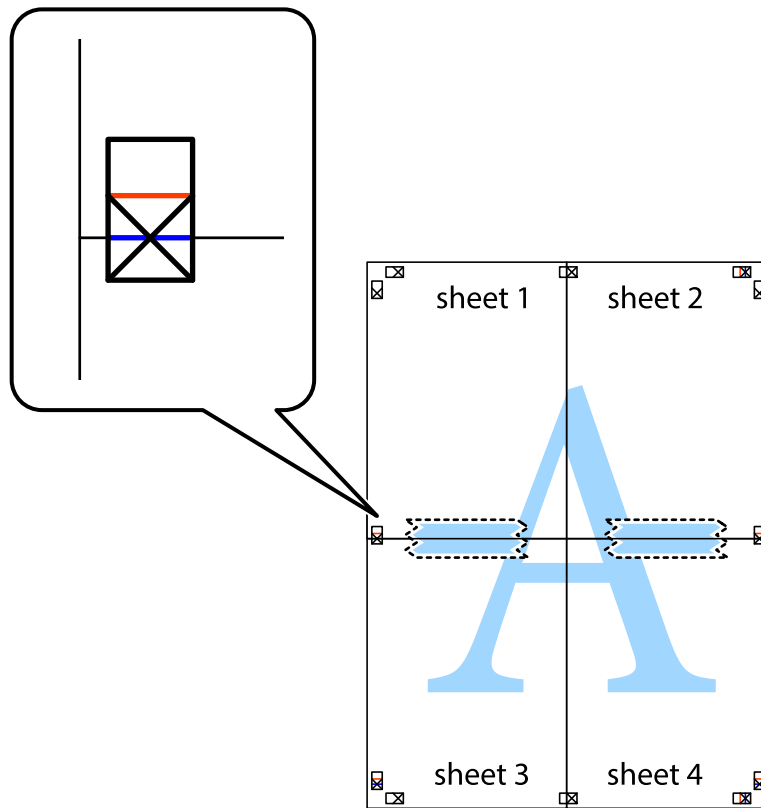


5. Repeat steps 1 to 4 to tape Sheet 3 and Sheet 4 together.
6. Cut off the margins of Sheet 1 and Sheet 2 along the horizontal blue line through the center of the left and right side cross marks.



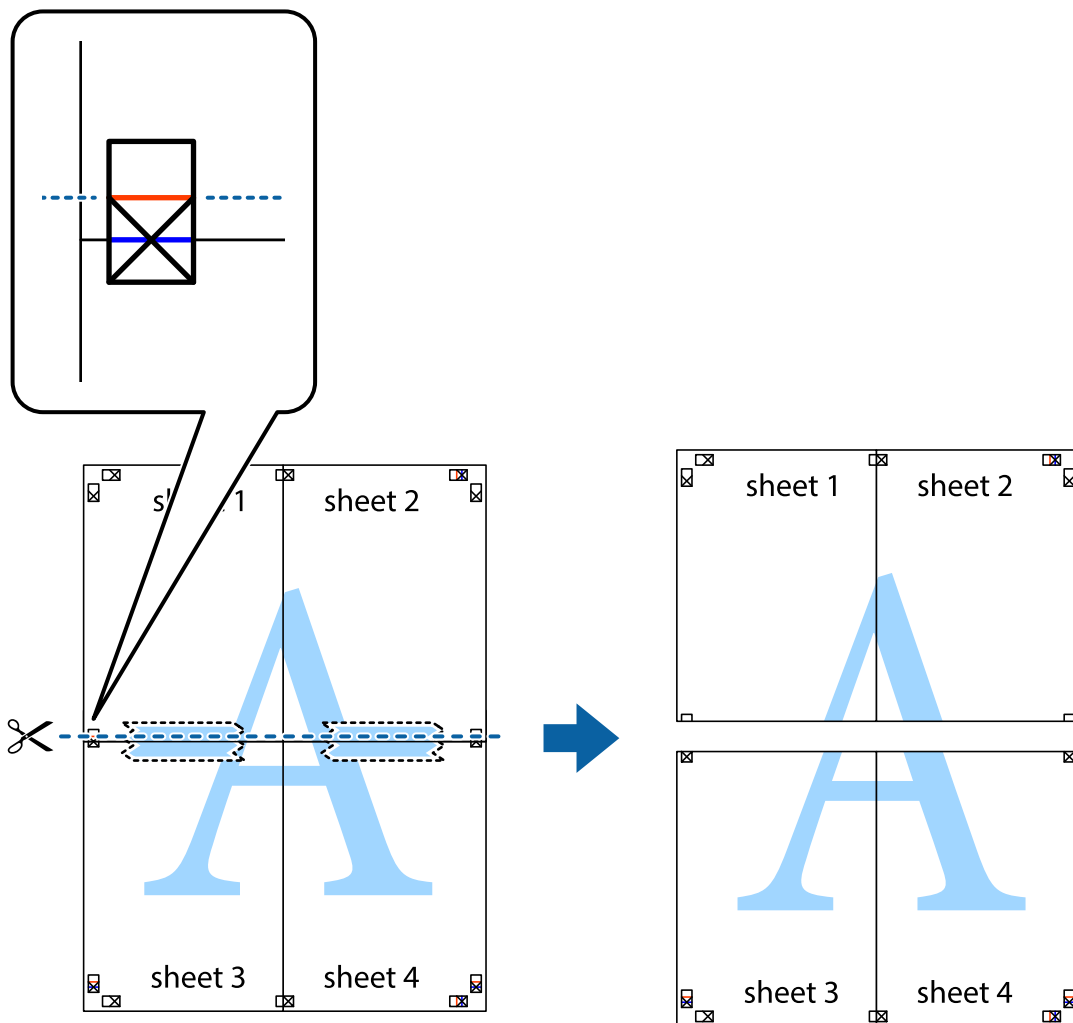
Printing

7. Place the edge of Sheet 1 and Sheet 2 on top of Sheet 3 and Sheet 4 and align the cross marks, and then temporarily tape them together from the back.

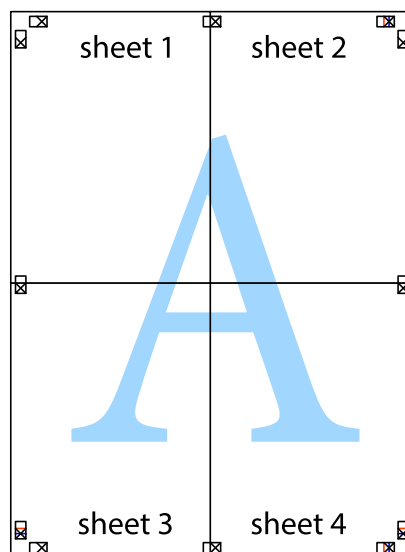


Printing

- Cut the taped sheets in two along the horizontal red line through the alignment markers (this time, the line above the cross marks).

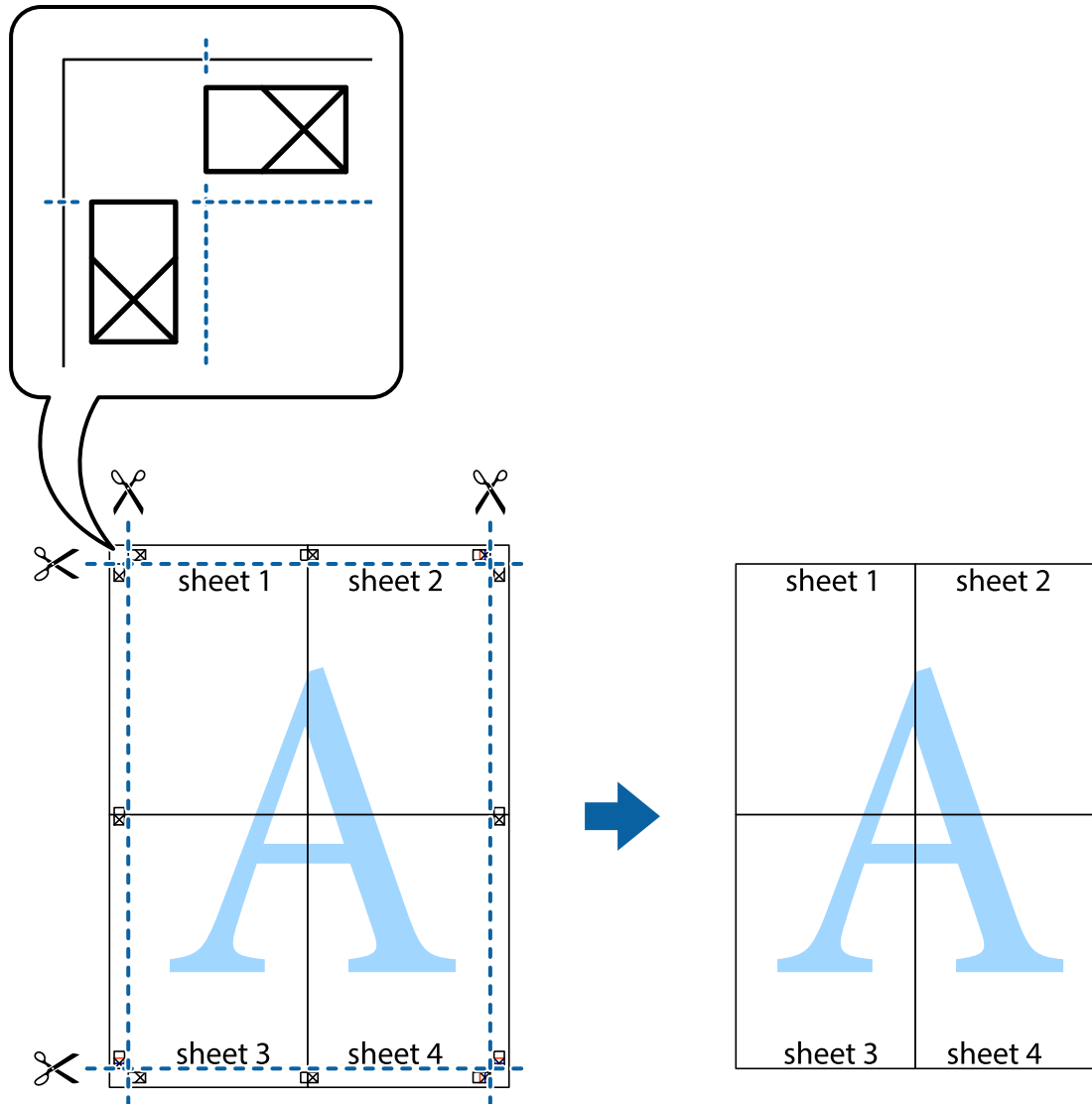


- Tape the sheets together from the back.



Printing

10. Cut off the remaining margins along the outer guide.



Printing Using Advanced Features

This section introduces a variety of additional layout and printing features available on the printer driver.

Related Information

- ➔ [“Windows Printer Driver” on page 145](#)
- ➔ [“Mac OS X Printer Driver” on page 149](#)

Adding a Printing Preset to Print Easily

If you create your own preset of frequently used print settings on the printer driver, you can print easily by selecting the preset from the list.

Printing

Windows

To add your own preset, set items such as the **Document Size** and **Paper Type** on the **Main** or **More Options** tab, and then click **Add/Remove Presets** in **Printing Presets**.

Note:

To delete an added preset, click **Add/Remove Presets**, select the preset name you want to delete from the list, and then delete it.

Mac OS X

Access the print dialog. To add your own preset, set items such as the **Paper Size** and **Media Type**, and then save the current settings as the preset in the **Presets** setting.

Note:

To delete an added preset, click **presets > Show Presets**, select the preset name you want to delete from the list, and then delete it.

Printing a Reduced or Enlarged Document

You can reduce or enlarge the size of a document by a specific percentage.

Windows

Note:

This feature is not available for borderless printing.

Set the **Document Size** on the **More Options** tab. Select **Reduce/Enlarge Document**, **Zoom to**, and then enter a percentage.

Mac OS X

Select **Page Setup** from the **File** menu. Select the settings for **Format For** and **Paper Size**, and then enter a percentage in **Scale**. Close the window, and then print following the basic printing instructions.

Adjusting the Print Color

You can adjust the colors used in the print job.

PhotoEnhance produces sharper images and more vivid colors by automatically adjusting the contrast, saturation, and brightness of the original image data.

Note:

- These adjustments are not applied to the original data.
- PhotoEnhance** adjusts the color by analyzing the location of the subject. Therefore, if you have changed the location of the subject by reducing, enlarging, cropping, or rotating the image, the color may change unexpectedly. Selecting the borderless setting also changes the location of the subject resulting in changes in color. If the image is out of focus, the tone may be unnatural. If the color is changed or becomes unnatural, print in a mode other than **PhotoEnhance**.

Windows

Select the method of color correction from **Color Correction** on the **More Options** tab.

If you select **Automatic**, the colors are automatically adjusted to match the paper type and print quality settings. If you select **Custom** and click **Advanced**, you can make your own settings.

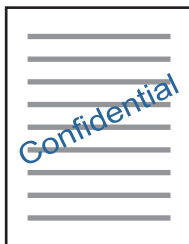
Printing

Mac OS X

Access the print dialog. Select **Color Matching** from the pop-up menu, and then select **EPSON Color Controls**. Select **Color Options** from the pop-up menu, and then select one of the available options. Click the arrow next to **Advanced Settings** and make the appropriate settings.

Printing a Watermark (for Windows Only)

You can print a watermark such as "Confidential" on your printouts. You can also add your own watermark.



Note:

This feature is not available for borderless printing.

Click **Watermark Features** on the **More Options** tab, and then select a watermark. Click **Settings** to change details such as the color and position of the watermark.

Printing a Header and Footer (for Windows Only)

You can print information such as a user name and printing date as headers or footers.

Click **Watermark Features** in the **More Options** tab, and then select **Header/Footer**. Click **Settings** and select necessary items from the drop-down list.

Printing Photos Using Epson Easy Photo Print

Epson Easy Photo Print lets you lay out and print photos easily on various types of paper.

Note:

- By printing on genuine Epson photo paper, the ink quality is maximized and the printouts are vivid and clear.*
- To perform borderless printing using a commercially available application, make the following settings.*
 - Create image data to fit the paper size. If a margin setting is available in the application you are using, set the margin to 0 mm.*
 - Enable the borderless printing setting in the printer driver.*

Related Information

- ➔ ["Epson Easy Photo Print" on page 153](#)
- ➔ ["Available Paper and Capacities" on page 39](#)
- ➔ ["Loading Paper in the Paper Cassette 1" on page 41](#)
- ➔ ["Loading Paper in the Paper Cassette 2" on page 44](#)
- ➔ ["Loading Paper in the Rear Paper Feed Slot" on page 48](#)

Printing

Printing a CD/DVD Label with Epson Print CD

Epson Print CD lets you easily create and print an original design CD/DVD label. You can also create and print a CD/DVD jacket.

You can set the print range for the CD/DVD to a minimum of 18 mm for the inner diameter, and a maximum of 120 mm for the outer diameter. Depending on the settings, the CD/DVD or tray may be smeared. Set within the print range for the CD/DVD you want to print.

Note:

When printing a CD/DVD label using a commercially available application, make the following settings.

- For Windows, A4 is automatically selected as the **Document Size** setting when you select **CD/DVD Tray** as the **Paper Source** setting. Select **Portrait** as the **Orientation** setting, and **CD/DVD** or **CD/DVD Premium Surface** as the **Paper Type** setting.
- For Mac OS X, select **A4 (CD/DVD)** as the **Paper Size** setting. Select portrait as the printing direction, and then select **CD/DVD** or **CD/DVD Premium Surface** as the **Media Type** on the **Print Settings** menu.
- On some applications, you may need to specify the tray type. Select **Epson Tray Type 2**. The setting name may vary slightly depending on the application.

Related Information

- ➔ [“Epson Print CD” on page 154](#)
- ➔ [“CD/DVD Handling Precautions” on page 60](#)
- ➔ [“Loading a CD/DVD” on page 60](#)

Printing from Smart Devices

Using Epson iPrint

Epson iPrint is an application that allows you to print photos, documents, and web pages from a smart device such as a smartphone or tablet. You can use local print, printing from a smart device that is connected to the same wireless network as your printer, or remote print, printing from a remote location over the Internet. To use remote print, register your printer in the Epson Connect service.



Related Information

- ➔ [“Epson Connect Service” on page 144](#)

Installing Epson iPrint

You can install Epson iPrint on your smart device from the following URL or QR code.

Printing

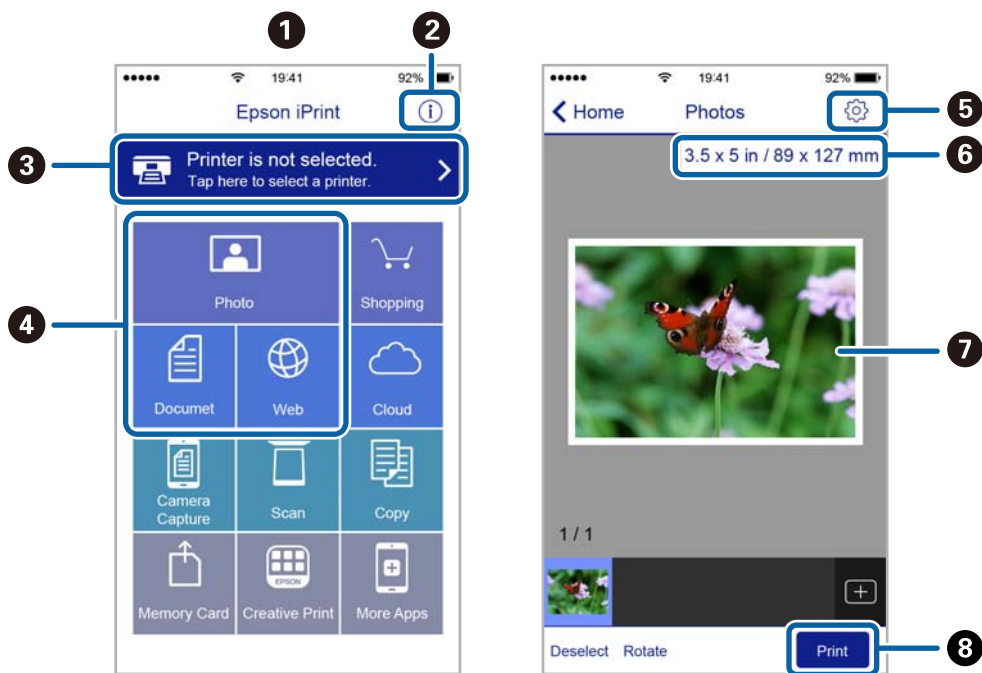
<http://ipr.to/a>



Printing Using Epson iPrint

Start Epson iPrint from your smart device and select the item you want to use from the home screen.

The following screens are subject to change without notice.



1	Home screen displayed when the application is started.
2	Displays information on how to setup the printer and a FAQ.
3	Displays the screen where you can select the printer and make printer settings. Once you have selected the printer, you do not need to select it again from the next time.
4	Select what you want to print such as photos, documents, and web pages.
5	Displays the screen to make print settings such as paper size and paper type.
6	Displays the paper size. When this is displayed as a button, press it to display the paper settings currently set on the printer.
7	Displays photos and documents you selected.
8	Starts printing.

Note:

To print from the document menu using iPhone, iPad, and iPod touch running iOS, start Epson iPrint after transferring the document you want to print using the file sharing function in iTunes.

Printing

Using AirPrint

AirPrint allows you to wirelessly print to your AirPrint-enabled printer from your iOS device using the latest version of iOS and from your Mac OS X v10.7.x or later.



Note:

- If you disable the paper source configuration setting in the Printer Setup menu in **Setup** on the printer's control panel, you cannot use AirPrint.
- See the AirPrint page on the Apple website for more details.

1. Load paper in the printer.
2. Connect your device to the same wireless network that your printer is using.
3. Print from your device to your printer.

Related Information

- ➔ [“Loading Paper in the Paper Cassette 1” on page 41](#)
- ➔ [“Loading Paper in the Paper Cassette 2” on page 44](#)

Printing from a Digital Camera

Note:

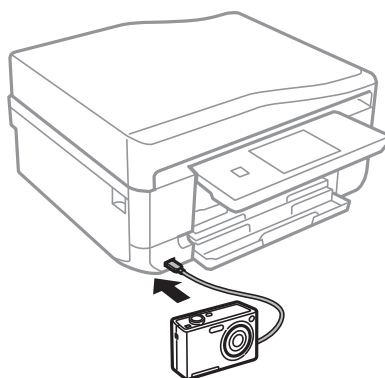
- You can print photos directly from a PictBridge-compatible digital camera. For more details on making operations on your camera, see the documentation provided with your camera.
- Usually digital camera settings are given priority; however, in the following situations, the printer settings are reflected.
 - When the camera's print setting is set to "use printer settings"
 - When the **Sepia** or **B&W** option is selected in the printer's print settings.
 - You may not be able to combine certain paper type, size, or layout settings depending on the camera settings and the printer settings. The digital camera settings may not be reflected in the output.
- When printing on a CD/DVD (only for printers that support CD/DVD printing), make the print settings on the printer before selecting photos on the digital camera, and then start printing. However, depending on your digital camera, you may not be able to print photos with DPOF settings on a CD/DVD.
- You can print photos with DPOF settings directly from a camera.

Printing

Printing from a Digital Camera Connected by USB Cable

You can print photos directly from a digital camera connected by USB cable.

1. Load paper in the paper cassette.
2. Select **Setup** > **External Device Setup** from the home screen.
3. Select **Print Settings** or **Photo Adjustments** and change the settings if necessary.
4. Turn on the digital camera, and then connect to the printer using a USB cable.



Note:

Use a USB cable that is shorter than two meters.

5. Select the photos you want to print from the digital camera, make settings such as the number of copies, and then start printing.

Related Information

- ➔ [“Loading Paper in the Paper Cassette 1” on page 41](#)
- ➔ [“Loading Paper in the Paper Cassette 2” on page 44](#)

Printing from a Digital Camera Connected Wirelessly

You can wirelessly print photos from digital cameras that support the DPS over IP standard (from here on referred to as PictBridge (wireless LAN)).

1. Make sure the icon that indicates that the printer is connected to a wireless network is displayed on the home screen.

Note:

*To learn the meaning of the icons, select **Help** > **Icon List** on the control panel.*

2. Load paper in the paper cassette.
3. Select **Setup** > **External Device Setup** from the home screen.
4. Select **Print Settings** or **Photo Adjustments** and change the settings if necessary.
5. Connect the digital camera to the same network as the printer.

Printing

6. Display the list of available printers on the digital camera, and then select the printer you want to connect to.

Note:

- ❑ To check the printer's name, press the network status icon on the home screen.
- ❑ If your digital camera has a function that allows you to register printers, you can connect to the printer by selecting it from the next time.

7. Select the photos you want to print from the digital camera, make settings such as the number of copies, and then start printing.
8. Disconnect the PictBridge (wireless LAN) connection to the printer from the digital camera.



Important:

When using PictBridge (wireless LAN), you cannot use other printer functions or print from other devices. Disconnect immediately when you have finished printing.

Related Information

- ➔ [“Loading Paper in the Paper Cassette 1” on page 41](#)
- ➔ [“Loading Paper in the Paper Cassette 2” on page 44](#)

Canceling Printing

Note:

- ❑ In Windows, you cannot cancel a print job from the computer once it has been completely sent to the printer. In this case, cancel the print job by using the printer's control panel.
- ❑ When printing several pages from Mac OS X, you cannot cancel all of the jobs by using the control panel. In this case, cancel the print job from the computer.
- ❑ If you have sent a print job from Mac OS X v10.6.x through the network, you may not be able to cancel printing from the computer. In this case, cancel the print job by using the printer's control panel. You need to change settings in Web Config to cancel printing from the computer. See the Network Guide for more details.

Canceling Printing - Printer Button

Press the  button to cancel the print job in progress.


Canceling Printing - Windows

1. Access the printer driver window.
2. Select the **Maintenance** tab.
3. Click **Print Queue**.
4. Right-click on the job you want to cancel and then select **Cancel**.

Related Information

- ➔ [“Windows Printer Driver” on page 145](#)

Canceling Printing - Mac OS X

1. Click the printer icon in the **Dock**.
2. Select the job you want to cancel.
3. Cancel the job.
 - Mac OS X v10.8.x to Mac OS X v10.9.x
Click  next to the progress meter.
 - Mac OS X v10.6.x to v10.7.x
Click **Delete**.


Copying

Copying Basics

1. Load paper in the printer.




Important:

- When loading in the paper cassette, make the paper settings on the control panel.
- When loading in the rear paper feed slot, select the rear paper feed slot as the paper source, and then press the  button before loading paper.

2. Place the originals. If you want to copy multiple originals or make 2-sided copies, place all of the originals on the ADF (ADF-equipped printers only).
3. Select **Copy** on the control panel.
4. Set the number of copies using – or +.
5. Select color copy or monochrome copy.
6. Check the settings such as the paper size and the paper type and change settings if necessary.

Note:

- If you want to copy by reducing or enlarging the size of a document by a specific percentage, select **Custom Size** as the **Reduce/Enlarge** setting, and then specify a percentage on the text entry screen displayed.
- When using ADF, you can only copy on A4-size plain paper at the same magnification.
If you change any of the following settings, you cannot copy: **Reduce/Enlarge: Actual Size, Paper Size: A4, Paper Type: plain papers**. However, the reduce/enlarge setting is fixed at **Auto Fit Page** if you select **A4, 2-up Copy** (ADF-equipped printers only).
- If you place originals that are larger than A4 size on the ADF, they are trimmed to A4 size (ADF-equipped printers only).

7. Press the  button.

Related Information

- ➔ [“Loading Paper in the Paper Cassette 1” on page 41](#)
- ➔ [“Loading Paper in the Paper Cassette 2” on page 44](#)
- ➔ [“Loading Paper in the Rear Paper Feed Slot” on page 48](#)
- ➔ [“Placing Originals on the Scanner Glass” on page 52](#)
- ➔ [“Placing Originals on the ADF \(ADF-equipped Printers Only\)” on page 54](#)
- ➔ [“Copy Mode” on page 20](#)

Copying Photos

You can copy multiple photos at the same time. You can also restore the colors in faded photos.

Copying

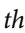
Note:


- The smallest size of original you can copy is 30 x 40 mm.
- White space around the photo may not be detected.

1. Load paper in the printer.



Important:




- When loading in the paper cassette, make the paper settings on the control panel.
- When loading in the rear paper feed slot, select the rear paper feed slot as the paper source, and then press the  button before loading paper.

2. Select **More Functions** on the control panel.
3. Select **Copy/Restore Photos**.
4. Select whether or not to restore the colors in faded photos.
5. Place the photos on the scanner glass following the instructions displayed on the screen.
6. Press the  button.

The photos are scanned and displayed on the screen.

7. Press **Settings**, check the settings such as the paper size and the paper type, and then change the settings if necessary.

Note:

Press **Edit** to adjust the colors in the photos. If you want to print by enlarging part of a photo, select **Crop/Zoom**. Move the frame of the print area using , ,  or  and change the frame size using **-** or **+**.

8. Press the  button.

Related Information

- ➔ [“Loading Paper in the Paper Cassette 1” on page 41](#)
- ➔ [“Loading Paper in the Paper Cassette 2” on page 44](#)
- ➔ [“Loading Paper in the Rear Paper Feed Slot” on page 48](#)
- ➔ [“Placing Originals on the Scanner Glass” on page 52](#)
- ➔ [“More Functions Mode” on page 26](#)

Copying on a CD/DVD Label

You can copy a disc label or a square original such as a photo onto a CD/DVD label.



Important:

Do not load a CD/DVD into the printer until you are instructed to do so.

1. Select **More Functions** on the control panel.

Copying

2. Select **Copy to CD/DVD**.
3. Place the original following the instructions displayed on the screen, and then press **Proceed**.
4. Set the printing area by specifying the inner diameter and the outer diameter, and then press **Proceed**.

Note:

You can set 114 to 120 mm as the outer diameter, and 18 to 46 mm as the inner diameter in 1 mm increments.

5. Select **Print on a CD/DVD**.

Note:

*To make a test print, select **Test print on A4 paper**, and then load A4 plain paper in the paper cassette. You can check the printout image before printing on a CD/DVD label.*

6. A message is displayed on the screen telling you that the printer is getting ready. You are then instructed to load a CD/DVD. Press ▼ to check the instructions and load a CD/DVD.
7. Press **Ready**, a message is displayed telling you that the printer is ready, and then press **OK**.
8. Select color copy or monochrome copy.
9. Change the other settings if needed.
10. Press the ◊ button.
11. When printing has finished, the CD/DVD tray is ejected. Remove the tray from the printer, and then press **OK**.
12. Remove the CD/DVD and store the CD/DVD tray on the bottom of the printer.

Related Information


- ➔ [“Placing Originals on the Scanner Glass” on page 52](#)
- ➔ [“Loading a CD/DVD” on page 60](#)
- ➔ [“More Functions Mode” on page 26](#)
- ➔ [“Removing a CD/DVD” on page 62](#)

Scanning

Scanning Using the Control Panel

Scanning to a Memory Card

You can save the scanned image to a memory card.

1. Insert a memory card into the printer.
2. Place the originals.
When scanning 2-sided originals, place them on the ADF (ADF-equipped printers only).
3. Select **Scan to Memory Card** on the control panel.
If the menu is not displayed, select **Scan > Scan to Memory Card** from the home screen.
4. Check settings such as the save format, and change them if necessary.
5. Press the  button.

Related Information

- ➔ “Inserting a Memory Card” on page 57
- ➔ “Placing Originals on the Scanner Glass” on page 52
- ➔ “Placing Originals on the ADF (ADF-equipped Printers Only)” on page 54
- ➔ “Scan Mode” on page 23

Scanning to the Cloud

You can send scanned images to cloud services using Epson Connect.

See the Epson Connect portal website for details.

<https://www.epsonconnect.com/>

<http://www.epsonconnect.eu> (Europe only)

Related Information

- ➔ “Scan Mode” on page 23

Scanning to a Computer

You can save the scanned image to a computer.

**Important:**


Make sure you have installed EPSON Scan and Epson Event Manager on your computer before using this feature.

Scanning

1. Place the originals.
When scanning 2-sided originals, place them on the ADF (ADF-equipped printers only).
2. Select **Scan** on the control panel.
3. Select **Scan to Computer (JPEG)**, **Scan to Computer (PDF)**, or **Scan to Computer (Email)**.
4. Select a computer on which to save the scanned images.

Note:

- You can change to frequently-used scan settings such as the document type, folder to save, or save format by using Epson Event Manager.
- When the printer is connected to a network, you can select the computer to which you want to save the scanned image. Up to 20 computers can be displayed on the printer's control panel.
- When the computer to which you want to save the scanned images is detected on the network, the initial 15 characters of the computer name are displayed on the control panel. If you set **Network Scan Name (Alphanumeric)** in Epson Event Manager, it is displayed on the control panel.

5. Press the  button.


Related Information

- ➔ [“Placing Originals on the Scanner Glass” on page 52](#)
- ➔ [“Placing Originals on the ADF \(ADF-equipped Printers Only\)” on page 54](#)
- ➔ [“Epson Event Manager” on page 152](#)

Scanning to a Computer (WSD)

Note:

- Before using this feature, you need to setup your computer. See the online Network Guide for more details.
- This feature is only available for computers running Windows 8.1/Windows 8/Windows 7/Windows Vista.

1. Place the originals.
2. Select **Scan** on the control panel.
3. Select **Scan to Computer (WSD)**.
4. Select a computer.
5. Press the  button.

Note:

See your computer's documentation for information on where the scanned image is stored on the computer.

Related Information

- ➔ [“Placing Originals on the Scanner Glass” on page 52](#)
- ➔ [“Placing Originals on the ADF \(ADF-equipped Printers Only\)” on page 54](#)

Scanning from a Computer

Scan using the scanner driver "EPSON Scan". See the EPSON Scan help for an explanation of each setting item.

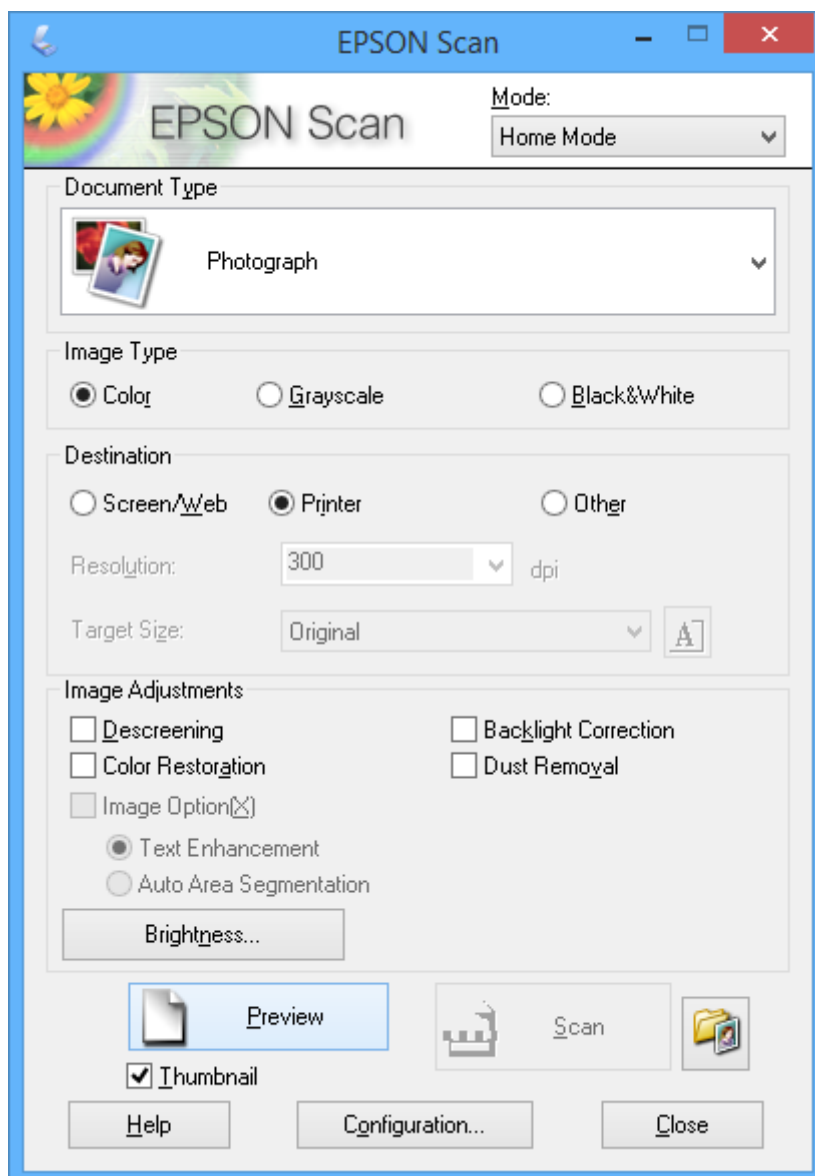
Scanning Basics

This section uses EPSON Scan's **Home Mode** to explain the basics of scanning. The operation work flow is the same in other scanning modes.

Note:

You cannot use **Home Mode** when scanning from ADF (ADF-equipped printers only). Scan from scanner glass or use **Office Mode** or **Professional Mode**.

1. Place the originals.
2. Start EPSON Scan.
3. Select **Home Mode** from the **Mode** list.



Scanning

4. Make the following settings.

Document Type: Select the type of the original you want to scan.

Image Type: Select the color type of the image you want to scan.

Although this is automatically selected by the **Document Type** setting, you can change the setting.

Destination: Select the resolution of the image you want to scan.

If you select **Other**, you can set **Resolution** and **Target Size** (output image size).

Thumbnail: Only available if you select **Photograph** as the **Document Type** setting.

If you select this item and click **Preview**, you can scan by automatically detecting the scan area, direction, or skew of the document, or place multiple photos on the scanner glass.

5. Click **Preview**.

Note:

Depending on the photos and the scanning conditions, the scan results may not be as intended. Clear **Thumbnail**, and only place one photo.

When placing multiple photos, place them at least 20 mm (0.8 inch) apart. Also, the edge area of the scanner glass is not scanned.

6. Adjust the quality or brightness of the image as necessary.

Note:

Depending on the originals, the scan results may not be as intended.

7. Click **Scan**.

8. In the **File Save Settings** window, make appropriate settings and then click **OK**.

Note:

When **Show this dialog box before next scan** is cleared, the **File Save Settings** screen is not displayed and scanning starts immediately. To display the **File Save Settings** screen, click the icon (**File Save Settings**) to the right of **Scan**, before starting to scan.

Related Information

➔ [“Placing Originals on the Scanner Glass” on page 52](#)

➔ [“EPSON Scan \(Scanner Driver\)” on page 152](#)

Scanning Using Advanced Features

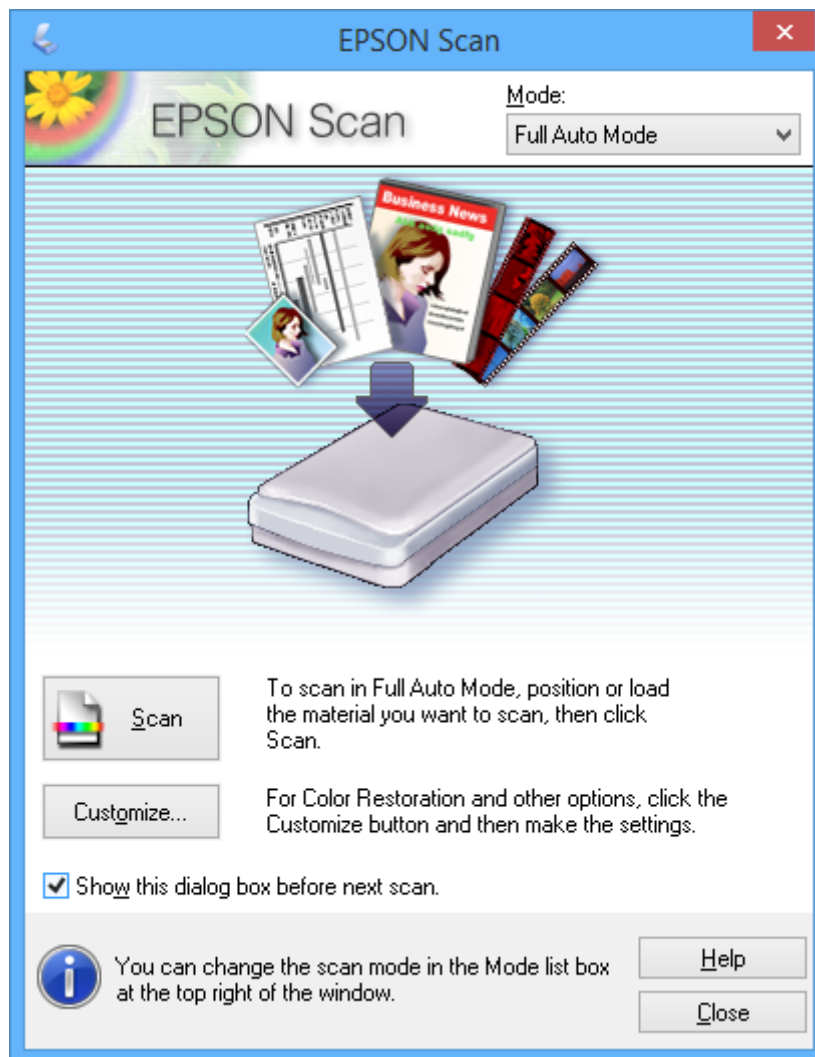
Scanning by Detecting the Original Automatically (Full Auto Mode)

You can start scanning by simply placing the original and clicking **Scan**. Select **Full Auto Mode** from the **Mode** list in EPSON Scan.

Scanning

Note:

This mode is not available for ADF-equipped printers.



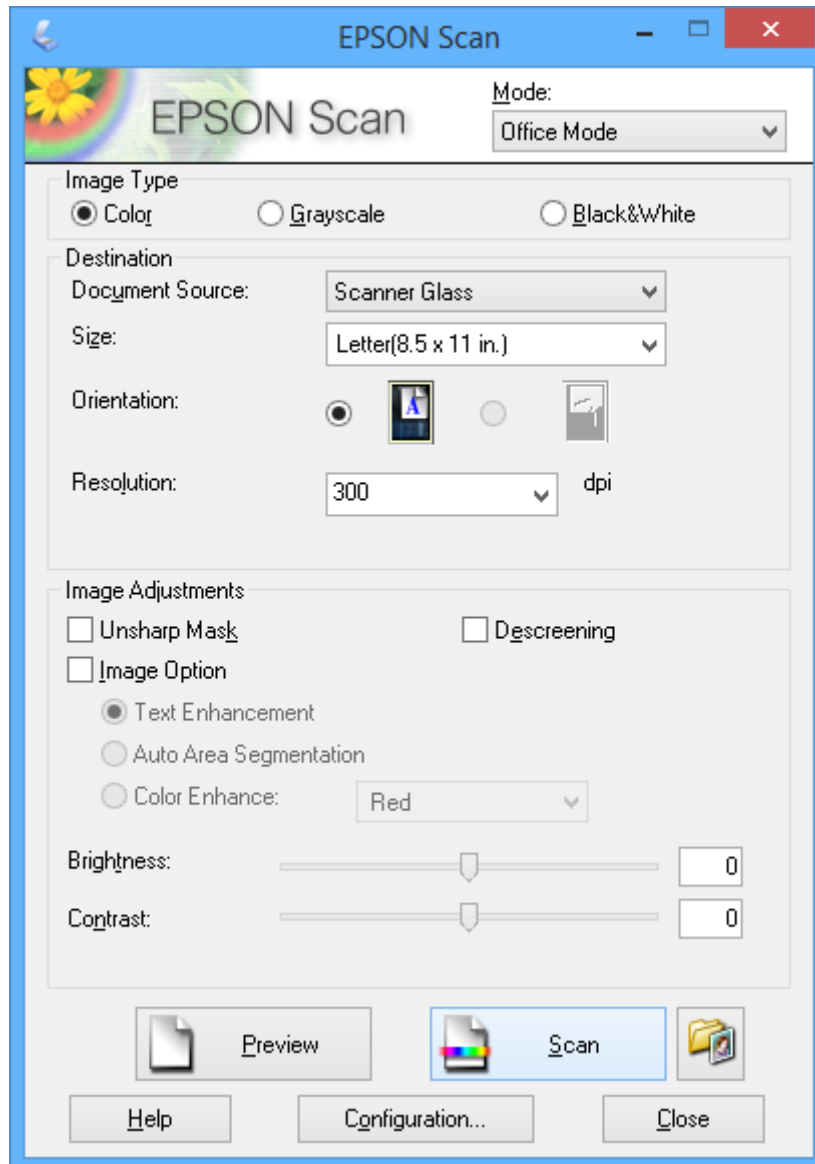
Scanning at Specified Sizes (Office Mode)

You can scan originals at the specified size without previewing the image. By using the ADF, you can scan many documents rapidly (ADF-equipped printers only). Select **Office Mode** from the **Mode** list in EPSON Scan.

Scanning

Note:

- ❑ If you want to scan many documents to one file, save in PDF format.
- ❑ When using ADF-equipped printers, if you place originals in the ADF and click **Preview**, the first page of the originals is ejected. Place the first page back on top of the rest of the pages, load all of the originals into the ADF, and then click **Scan**.
- ❑ If you want to scan 2-sided originals using the ADF, select **ADF - Double-sided** as the **Document Source** setting. When previewing, only the front side is scanned.



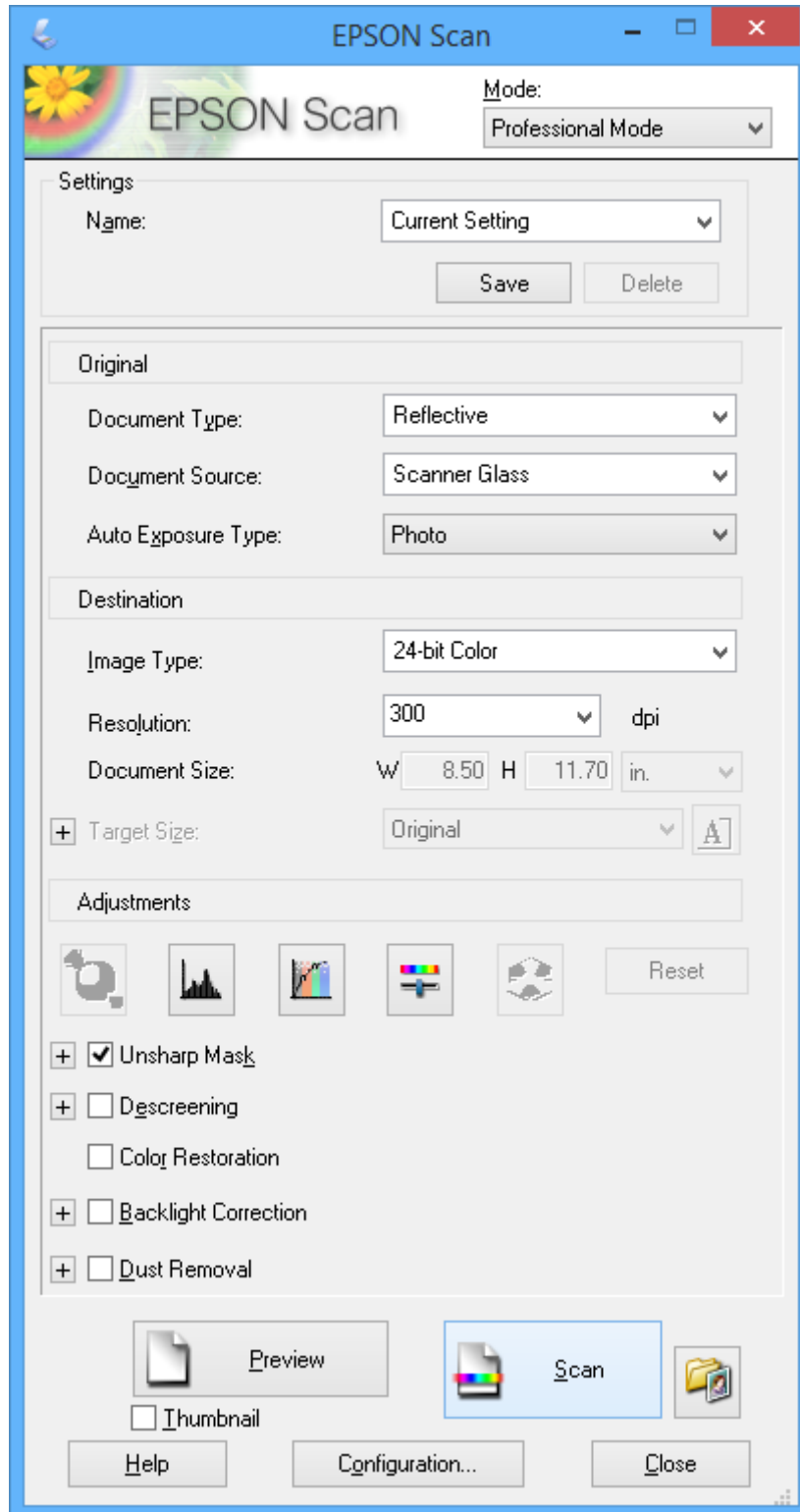
Scanning by Adjusting the Image Quality (Professional Mode)

You can scan images while adjusting the quality and color. This mode is recommended for advanced users. Select **Professional Mode** from the **Mode** list in EPSON Scan.

Scanning

Note:

- ❑ If you want to scan using the ADF, select **ADF - Single-sided** or **ADF - Double-sided** as the **Document Source**. When previewing 2-sided documents, only the front side is scanned.
- ❑ When using ADF-equipped printers, if you place originals in the ADF and click **Preview**, the first page of the originals is ejected. Place the first page back on top of the rest of the pages, load all of the originals into the ADF, and then click **Scan**.



Scanning from Smart Devices

Epson iPrint is an application that allows you to scan photos and documents from a smart device, such as a smartphone or tablet, that is connected to the same wireless network as your printer. You can save the scanned data on a smart device or to Cloud services, send it by email, or print it.

You can install Epson iPrint on your smart device from the following URL or QR code.

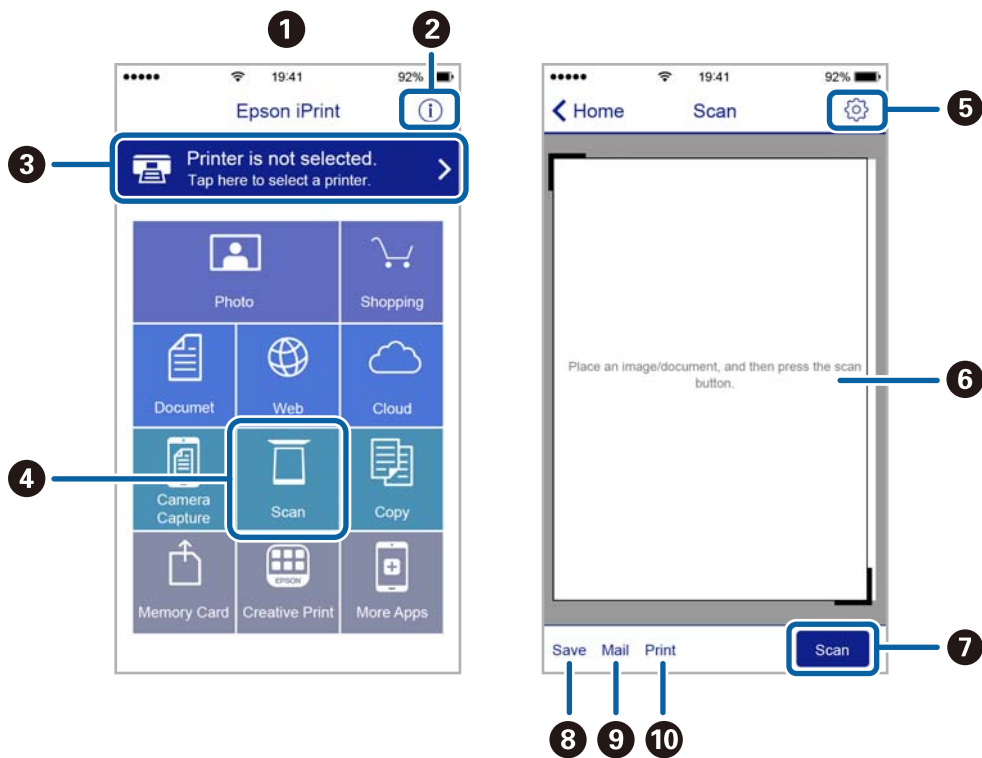
<http://ipr.to/a>



Using Epson iPrint

Start Epson iPrint from your smart device and select the item you want to use from the home screen.

The following screens are subject to change without notice.



1	Home screen displayed when the application is started.
2	Displays information on how to setup the printer and a FAQ.
3	Displays the screen where you can select the printer and make printer settings. Once you have selected the printer, you do not need to select it again from the next time.
4	Displays the scanning screen.
5	Displays the screen where you can make scan settings such as resolution.

Scanning

6	Displays scanned images.
7	Starts scanning.
8	Displays the screen where you can save scanned data to a smart device or Cloud services.
9	Displays the screen where you can send scanned data by email.
10	Displays the screen where you can print scanned data.

Related Information

➔ [“Epson Connect Service” on page 144](#)

Faxing (Fax-capable printers only)

Setting Up a Fax

Connecting to a Phone Line

Compatible Telephone Lines

You can use the printer over standard analogue telephone lines (PSTN = Public Switched Telephone Network) and PBX (Private Branch Exchange) telephone systems.

You may not be able to use the printer with the following phone lines or systems.

- VoIP phone line such as DSL or fiber-optic digital service
- Digital phone line (ISDN)
- Some PBX telephone systems
- When adapters such as terminal adapters, VoIP adapters, splitters, or DSL router are connected between the telephone wall jack and the printer

Connecting the Printer to a Phone Line

Connect the printer to a telephone wall jack using an RJ-11 (6P2C) phone cable. When connecting a telephone to the printer, use a second RJ-11 (6P2C) phone cable.

Depending on the area, a phone cable may be included with the printer. If it is included, use that cable.

You may need to connect the phone cable to an adapter provided for your country or region.

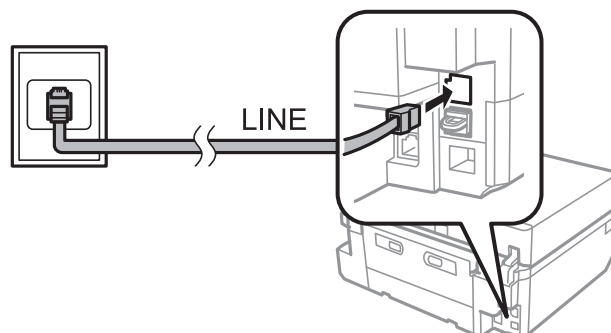
! **Important:**

Remove the cap from the EXT. port of the printer only when connecting your telephone to the printer. Do not remove the cap if you are not connecting your telephone.

In areas where lightning strikes occur frequently, we recommend that you use a surge protector.

Connecting to a Standard Phone Line (PSTN) or PBX

Connect a phone cable from the telephone wall jack or PBX port to the LINE port on the back of the printer.



Faxing (Fax-capable printers only)

Related Information

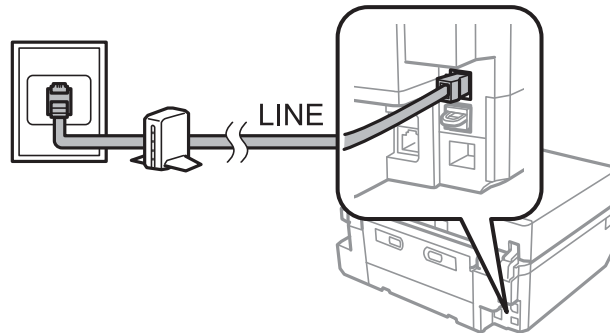
➔ [“Setting the Line Type” on page 112](#)

Connecting to DSL or ISDN

Connect a phone cable from the DSL modem or the ISDN terminal adapter to the LINE port on the back of the printer. See the documentation provided with the modem or the adapter for more details.

Note:

If your DSL modem is not equipped with a built-in DSL filter, connect a separate DSL filter.



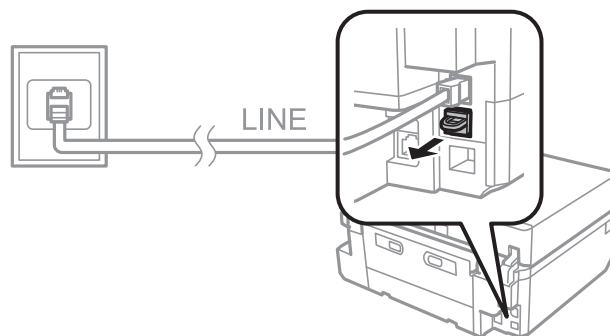
Connecting Your Phone Device to the Printer

When using the printer and your telephone on a single phone line, connect the telephone to the printer.

Note:

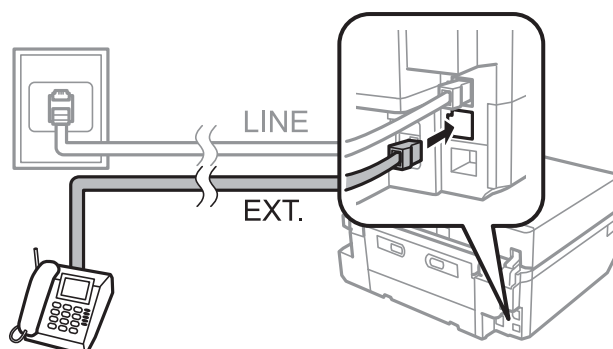
- If your phone device has a fax function, disable the fax function before connecting. See the documentation provided with the phone device for more details.*
- Set the number of **Rings to Answer** before receiving faxes to a larger number than for the answering machine.*

1. Remove the cap from the EXT. port on the back of the printer.



Faxing (Fax-capable printers only)

2. Connect the phone device and the EXT. port with a phone cable.



! Important:

When sharing a single phone line, make sure you connect the phone device to the EXT. port of the printer. If you split the line to connect the phone device and the printer separately, the phone and the printer do not work correctly.

3. Pick up the handset of the connected phone device and confirm that a message asking you to select whether to send or receive a fax is displayed on the LCD screen.

If the message is not displayed, check that the phone cable is securely connected to the EXT. port.

Related Information

- ➔ [“Setting Rings to Answer” on page 113](#)
- ➔ [“Setting the DRD \(Distinctive Ring Pattern\)” on page 113](#)

Checking Whether you can use the Fax

When you have finished connecting the printer to a phone line, check whether it is connected correctly using the automatic check function.

1. Enter **Setup** from the home screen.
2. Select **Fax Settings > Check Fax Connection**.

The automatic check starts.

3. Press the **◇** button.

A check report is printed. If any errors are reported, follow the solution provided in the report.

Making Basic Fax Settings

Check the following settings when using the fax for the first time, and change the settings if necessary.

- Header
- Line Type
- Receive Mode (automatic or manual)
- Rings to Answer

Faxing (Fax-capable printers only)

DRD

Setting the Fax Header

Enter the sender name and the fax number that appears as the header on out going faxes.

1. Enter **Setup** from the home screen.
2. Select **Fax Settings > Communication > Header**.
3. Select **Fax Header**, enter your sender name within 40 characters, and then press **Done**.
4. Select **Your Phone Number**, enter your fax number within 20 digits, and then press **Done**.

Setting the Line Type

Make the following settings when using the printer in environments that use extensions and require external access codes, such as 0 and 9, to get an outside line.

1. Enter **Setup** from the home screen.
2. Select **Fax Settings > Communication > Line Type**.
3. Select **PBX**.
4. On the **Access Code** screen, select **Use**.
5. Enter the external access code used for your phone system, and then press **Done**.
The access code is stored in the printer. When sending a fax to an outside fax number, enter # (hash) instead of the actual access code.

Setting Receiving Mode

The printer automatically receives faxes by default. After the set number of rings occurs, the printer starts receiving a fax. If you do not use the fax feature often, or want to receive a fax after you answer the phone, change the receiving mode from automatic to manual.



Caution:

If you have not connected a telephone to the printer, make sure that the receiving mode is automatic. Otherwise, faxes cannot be received.

1. Enter **Setup** from the home screen.
2. Select **Fax Settings > Receive Settings > Auto Answer**, and then change the setting.

Related Information

- ➔ [“Receiving Faxes Automatically” on page 118](#)
- ➔ [“Receiving Faxes Manually” on page 119](#)

Faxing (Fax-capable printers only)

Setting Rings to Answer

Set the number of rings that must occur before the printer starts to receive a fax.



Caution:

To use the answering feature of the connected telephone, set the **Rings to Answer** setting of the printer to a higher number than the number of rings for the answering machine. Otherwise, you cannot receive voice calls and voice messages are not recorded. See the documentation provided with the telephone for more details on its settings.

1. Enter **Setup** from the home screen.
2. Select **Fax Settings > Receive Settings > Rings to Answer**.
3. Set the number of rings to answer using – and +.

Setting the DRD (Distinctive Ring Pattern)

If you are using a distinctive ring service on your phone line that allows you to have several phone numbers on one phone line and assign different ring patterns to each, set the DRD setting to allow the printer to detect the ring pattern assigned to your fax number.

1. Enter **Setup** from the home screen.
2. Select **Fax Settings > Receive Settings > DRD**.
3. Select the ring pattern assigned to your fax number.
Select **On** if the setting options are only **On** and **Off**.

Registering Recipients of Faxes to a Contact List

Registering frequently used fax numbers to a contact list allows you to easily send faxes. After registering each recipient as a speed dial entry, you can group some speed dial entries together to send a fax to multiple recipients at a time. You can register up to 60 entries (including both speed dial and group dial entries).

Note:

Contacts data may be lost due to a printer malfunction. We recommend that you make a backup of the data whenever you update the data. Epson shall not be responsible for the loss of any data, for backing up or recovering data and/or settings even during a warranty period. You can use the FAX Utility to create a contact list on your computer and to backup the data. See the FAX Utility help for details.

Related Information

➔ [“FAX Utility” on page 153](#)


Registering Speed Dial Entries

1. Enter **Fax** from the home screen.
2. Select **Contacts > Add/Edit Contacts**.
3. Select **Speed Dial Setup**. If you want to edit a speed dial entry that is already registered, select **Edit Contacts**.

Faxing (Fax-capable printers only)

- Select an entry number.
- Enter a fax number, and then press **Done**. On the next screen, enter the recipient's name, and then press **Done**.

Note:

- You can enter up to 64 digits for the fax number and up to 30 characters for the name.
- To add a pause (pause for three seconds) during dialing, enter a hyphen by pressing .
- Enter an external access code at the beginning of the fax number if your phone system is PBX and you need the access code to get an outside line. If the access code has been set in the **Line Type** setting, enter a hash (#) instead of the actual access code.

- Press **Options**, and then select the fax speed.

Note:

The fax speed set in **Setup > Fax Settings > Communication > Fax Speed** is used by default. If communication errors occur frequently with the recipient, or when the recipient is abroad, we recommend selecting **Slow(9,600bps)**.

- Check the registered information, and then press **Done**.

Registering Group Dial Entries

- Enter **Fax** from the home screen.
- Select **Contacts > Add/Edit Contacts**.
- Select **Group Dial Setup**.

Note:

If you want to edit a group dial entry that is already registered, select **Edit Contacts**.

- Select an entry number.
- Enter the group name within 30 characters, and then press **Done**.

- Select up to 30 speed dial entries to add them to the group.

Note:

A check mark appears for each of the selected entries. To deselect, press the check mark.

- When you have finished adding speed dial entries, press **Done**.

Sending Faxes

Basic Fax Sending Operations

You can send faxes in color or monochrome (B&W). When sending a fax in monochrome, you can preview the scanned image on the LCD screen before sending.

Note:

- If the fax number is busy or a problem occurs, the printer automatically redials twice after one minute. Press **Redial** to start redialing immediately.
- You can store your default settings for sending a fax, such as the resolution, in the following menu.
Setup > Fax Settings > Send Settings.

Faxing (Fax-capable printers only)**Sending Faxes Using the Control Panel**

1. Place the originals.

Note:


You can send up to 100 pages in one transmission; however, depending on the amount of memory remaining, you may not be able to send faxes with less than 100 pages.


2. Select **Fax** on the control panel.

3. Specify the recipient.

- To enter manually: Press **Enter Fax Number**, enter the number on the number entry screen, and then press **Done**.
- To select from the contact list: Press **Contacts**, and then select the recipient.
- To select the last dialed number: Press **Redial**.


Note:

- To add a pause (pause for three seconds) during dialing, enter a hyphen by pressing .
- If you set an external access code in **Line Type**, enter "#" (hash) instead of the actual external access code at the beginning of the fax number.
- If you press **Redial** and the last fax was sent to a group dial entry, the entry registered last in the group is displayed.
- As well as using group dial entries, you can use the **Broadcast Fax** feature to send a fax to multiple recipients at the same time.


4. Scroll the screen by pressing , select **Color** or **B&W**, and then make settings such as the resolution and the sending method as necessary.


Note:




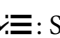
- To send 2-sided originals, enable **2-Sided Faxing**. However, you cannot send in color with this setting.
- When sending a fax in monochrome, you can preview the scanned image on the LCD screen before sending by enabling **Send Preview**.
- Only monochrome faxes can be sent to group dial entries.

5. Press the  button.

Note:

- To cancel sending, press the  button.
- It takes longer to send a fax in color because the printer performs scanning and sending simultaneously.

6. When sending a monochrome fax and Send Preview is enabled, check the preview on the LCD screen, and then press the  button.

- : Moves the screen in the direction of the arrows.
- : Reduces or enlarges.
- : Moves to the previous or the next page.
- : Starts sending or scans again.

Faxing (Fax-capable printers only)

Note:

- ❑ When **Direct Send** is enabled, you cannot preview.
- ❑ When the preview screen is left untouched for 20 seconds, the fax is sent automatically.
- ❑ The image quality of a sent fax may differ from the preview depending on the capability of the recipient's device.

Related Information

- ➔ [“Placing Originals on the Scanner Glass” on page 52](#)
- ➔ [“Placing Originals on the ADF \(ADF-equipped Printers Only\)” on page 54](#)
- ➔ [“Registering Recipients of Faxes to a Contact List” on page 113](#)
- ➔ [“Fax Mode \(Fax-capable printers only\)” on page 24](#)
- ➔ [“Sending Faxes to multiple destinations \(Broadcast Fax\)” on page 117](#)

Sending Faxes when Dialing from an External Phone Device

You can send a fax by dialing using the connected telephone when you want to talk over the phone before sending a fax, or when the recipient's fax machine does not switch to faxes automatically.

1. Place the originals.

Note:

You can send up to 100 pages in one transmission.

2. Pick up the handset of the connected telephone.
3. Press **Send** on the printer's control panel.
4. Scroll the screen by pressing ▼, select color or monochrome, and then make settings such as the resolution and the sending method as necessary.
5. Dial the recipient's fax number from the connected phone.
6. When you hear a fax tone, press the ◊ button, and then hang up the handset.

Note:

It takes longer to send a fax when dialing from a connected phone because the printer performs scanning and sending simultaneously.

Related Information

- ➔ [“Placing Originals on the Scanner Glass” on page 52](#)
- ➔ [“Placing Originals on the ADF \(ADF-equipped Printers Only\)” on page 54](#)
- ➔ [“Fax Mode \(Fax-capable printers only\)” on page 24](#)

Various Ways of Sending Faxes

Sending Faxes at a Specified Time

You can set to send a fax at a specified time. Only monochrome faxes can be sent when the time to send is specified.

Faxing (Fax-capable printers only)

1. Place the originals.
2. Select **Fax** on the control panel.
3. Specify the recipient.
4. Press **Advanced Options**, and then select **Send Fax Later**.
5. Press **On**, enter the time to send the fax, and then press **Done**.
6. Scroll the screen by pressing ▼, and then make settings such as the resolution and the sending method as necessary.
7. Press the ⬠ button.

The originals are scanned, saved, and then sent at the specified time.

Note:

Until the fax is sent at the specified time, you cannot send other faxes. To cancel the fax, press the ⓧ button on the fax mode top screen.

Related Information

- ➔ [“Placing Originals on the Scanner Glass” on page 52](#)
- ➔ [“Placing Originals on the ADF \(ADF-equipped Printers Only\)” on page 54](#)
- ➔ [“Sending Faxes Using the Control Panel” on page 115](#)

Sending Faxes to multiple destinations (Broadcast Fax)

A monochrome fax can be sent to up to 30 recipients at a time. You can specify the recipients by entering fax numbers manually, using speed dial or group dial entries, or by using all methods.

1. Place the originals.
2. Select **Fax** on the control panel.
3. Press **Advanced Options**, and then select **Broadcast Fax**.
4. Select **Add New** as the **Contact List** setting.
5. Select how to set the recipients.
 - Enter Fax Number: Enter a fax number on the number entry screen, and then press **Done**.
 - Select from Contacts: Select recipients from the list displayed, and then press **Done**.
6. Add the necessary recipients by repeating step 4 and 5, and then press **DoneDone**.
7. Scroll the screen by pressing ▼, and then make settings such as the resolution and the sending method as necessary.
8. Press the ⬠ button.

Faxing (Fax-capable printers only)

Related Information

- ➔ “Placing Originals on the Scanner Glass” on page 52
- ➔ “Placing Originals on the ADF (ADF-equipped Printers Only)” on page 54
- ➔ “Sending Faxes Using the Control Panel” on page 115

Sending a Fax from a Computer

You can send faxes from the computer by using the FAX Utility and PC-FAX driver. See the help of FAX Utility and PC-FAX driver for the operating instructions.

Related Information

- ➔ “PC-FAX Driver (Fax Driver)” on page 153
- ➔ “FAX Utility” on page 153

Receiving Faxes

You can set to print or save received documents from **Setup > Fax Settings > Receive Settings > Fax Output**. If you print received documents, keep A4 size plain paper loaded in the paper cassette.

Related Information

- ➔ “Loading Paper in the Paper Cassette 2” on page 44

Receiving Faxes Automatically

While the receiving mode is set to automatic, the  icon lights up on the home screen. The printer automatically receives a fax after the number of rings you specified. Recommended for frequent fax users.

- Keep A4-size plain paper loaded in the paper cassette to print received documents and reports.
 - The **Fax Output** setting allows you to prevent the printer from automatically printing received documents, and save the documents in the printer's inbox, on a memory device, or on a computer instead.
- Your answering machine answers a call after the number of rings set for the device. If it is a voice call, the answering machine records a voice message. If the printer detects a fax tone after the answering machine answers the call, the printer starts to receive the fax.
- If you pick up the handset of the connected phone device and you hear a fax tone, please wait. When the message "Connecting..." is displayed on the LCD screen, hang up the handset.

Note:


- Set the rings to answer setting on the printer to a higher number than the number of rings for the answering machine. Otherwise, you cannot receive voice calls or the answering machine cannot record voice messages since the printer answers before the answering machine answers.
- To avoid noises at night or at other times, you can stop printing received documents during a set time period. By entering the time to stop and time to restart in the following menu, documents received during the specified time period are not printed, and are saved in the printer's memory instead. The faxes are printed at the restart time.
 - Setup > Fax Settings > Print Settings > Print Suspend Time**
- If you use the printer for faxing only without connecting a telephone to the printer, you can set to receive faxes without ringing. Select **Setup > Printer Setup > Sound > Button Press > Off**.

Faxing (Fax-capable printers only)

Related Information

- ➔ [“Setting Receiving Mode” on page 112](#)
- ➔ [“Setting Rings to Answer” on page 113](#)
- ➔ [“Saving Received Faxes” on page 120](#)



Receiving Faxes Manually

If you do not fax often, we recommended using a manual receiving mode that allows you to receive a fax after answering a call on the connected phone to check if it is a fax. When the receiving mode is set to manual, the  icon light remains off on the home screen. If you think you will receive faxes while you are away, set the receiving mode to automatic.

1. When the telephone rings, pick up the handset.
2. When you hear a fax tone, press **Receive** on the printer's LCD screen.

Note:

When the **Remote Receive** feature is enabled, you can only start receiving the fax by operating the telephone.

3. Press the  button, and then hang up the handset.
4. Press the  button again to start printing.

Note:

If you have set **Fax Output** to save received documents, a message is displayed when saving is finished. Follow the on-screen instructions to view the received document.

Related Information

- ➔ [“Setting Receiving Mode” on page 112](#)
- ➔ [“Receiving Faxes Using a Connected Telephone \(Remote Receive\)” on page 119](#)
- ➔ [“Saving Received Faxes” on page 120](#)

Receiving Faxes Using a Connected Telephone (Remote Receive)

To receive a fax manually, you need to operate the printer after you pick up the handset of the telephone. By using the **Remote Receive** feature, you can start receiving a fax just by operating the phone.

The **Remote Receive** feature is available for telephones that support tone dialing.

Related Information

- ➔ [“Receiving Faxes Manually” on page 119](#)

Setting Up Remote Receive

1. Enter **Setup** from the home screen.
2. Select **Fax Settings > Receive Settings > Remote Receive**.
3. After enabling **Remote Receive**, enter a two digit code (0 to 9, *, and # can be entered) in the **Start Code** field.

Faxing (Fax-capable printers only)


4. Press **Done**.

Using Remote Receive

1. When the telephone rings, pick up the handset.
2. When you hear a fax tone, enter the start code using the telephone.
3. After confirming that the printer has started receiving the fax, hang up the handset.

Receiving Faxes by Polling

By dialing the fax number, you can receive a fax stored on another fax machine for fax polling. You can receive a specific document from a fax information service by following the audio guidance provided by the service. When you use a fax information service that supports audio guidance, dial the fax number using the connected telephone.

1. Enter **Fax** from the home screen.
2. Press **Advanced Options**, select **Polling**, and then **On**.
3. Enter the fax number, and then press the  button.

Note:

*If you have set **Fax Output** to save received documents, a message is displayed when saving is finished. Follow the on-screen instructions to view the received document.*

Related Information

- ➔ [“Sending Faxes when Dialing from an External Phone Device” on page 116](#)

Saving Received Faxes

You can set to save received faxes in the printer's inbox, on a memory device, or on a computer. If none of these are set, received documents are printed automatically.

1. Enter **Setup** from the home screen.
2. Select **Fax Settings** > **Receive Settings** > **Fax Output**.
3. Press **Change Settings**, select the option you want, and then make settings.

Save to Inbox:

Saves all received documents in the printer's inbox. The stored documents are not automatically printed. You can view the documents on the printer's LCD screen and print them if needed.

Save to Computer:

On the computer connected to the printer, make settings to save received documents on the computer using FAX Utility. See the FAX Utility help for more details.

Once the received documents are saved on the computer, they are deleted from the printer. To print the documents automatically while saving them on the computer, select **Yes then Print** on the printer after finishing the FAX Utility settings.

Faxing (Fax-capable printers only)

Note:

When the computer is off, the printer temporarily saves the received documents in its memory. If the memory becomes full, the printer cannot send or receive faxes.

Save to External Device:

Converts received documents into PDF format and saves them to a memory device, such as a memory card or USB flash drive, connected to the printer. Once the received documents are saved to the memory device, they are deleted from the printer. To print the documents automatically while saving them to the memory device, select **Yes then Print** on the printer.

Before using this feature, you need to create a folder on the memory device in which received documents are saved. Select **Create Folder to Save**, and then create a folder.

Note:

Make sure the memory device is connected to the printer. If the device is not connected, sending and receiving faxes may become impossible due to a memory full error because the printer temporarily saves the received documents while the device is disconnected.

Related Information

- ➔ [“FAX Utility” on page 153](#)
- ➔ [“Inserting a Memory Card” on page 57](#)

Checking Received Faxes on the LCD Screen

You can check received documents saved in the printer's inbox on the LCD screen.

1. When there are new faxes, a notification message is displayed on the home screen. Press **Open Inbox**. Or enter **Fax** on the home screen, and then select **Advanced Options > Open Inbox**.

Note:





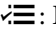

When there are unread or unprinted documents, the  icon lights up on the home screen. To check the number of unread or unprinted documents and the memory usage, press this icon.

2. Select the fax you want to view from the received documents list.

Note:

Press **Menu** on the list screen to print or delete all of the received documents at once.

3. Check the received documents.

- : Rotates the image to the right by 90 degrees.
- : Moves the screen in the direction of the arrows.
- : Reduces or enlarges.
- : Moves to the previous or the next page.
- : Displays the menus for printing and deleting.
- : Starts printing.

Note:

The printer cannot receive and send faxes when the memory is full. We recommend deleting viewed or printed documents.

Using Other Faxing Features

Printing Fax Report and List

Printing a Fax Report Manually

1. Enter **Fax** from the home screen.
2. Select **Advanced Options > Fax Report**.
3. Select the report you want to print, and then follow the on-screen instructions.

Note:

You can change the report format. From the home screen, select **Setup > Fax Settings > Report Settings**, and then change the **Attach Image to Report** or **Report Format** settings.

Related Information

- ➔ [“Fax Mode \(Fax-capable printers only\)” on page 24](#)
- ➔ [“Fax Settings \(Fax-capable printers only\)” on page 35](#)

Setting Up to Print Fax Reports Automatically

You can make settings to print the following fax reports automatically.

Last Transmission Report

From the home screen, select **Setup > Fax Settings > Report Settings > Last Transmission Report**, and then select **On Send** or **On Error**.

Fax Log

From the home screen, select **Setup > Fax Settings > Report Settings > Fax Log Auto Print**, and then select **On(Every 30)** or **On(Time)**.

Related Information

- ➔ [“Fax Mode \(Fax-capable printers only\)” on page 24](#)
- ➔ [“Fax Settings \(Fax-capable printers only\)” on page 35](#)

Reprinting Received Faxes


You can reprint received documents that you have already printed. All of the received documents saved in the printer's memory are printed in reverse chronological order. However, if the printer runs out of memory, documents that have already been printed are automatically deleted starting with the oldest document.

Note:


When you have set **Save to Inbox** to **Yes** as **Fax Output** setting, you can select individual documents that you want to reprint from the printer's inbox.

1. Enter **Fax** from the home screen.

Faxing (Fax-capable printers only)

2. Press **Advanced Options**, and then select **Reprint Faxes**.
3. Press the  button.

Note:

When the documents you want to reprint have been printed, press the  button to stop printing.

Replacing Ink Cartridges

Checking the Ink Levels

You can check the approximate ink levels from the control panel or the computer.

Checking the Ink Levels - Control Panel

1. Enter **Setup** from the home screen.
2. Select **Ink Levels**.

Checking the Ink Levels - Windows

1. Access the printer driver window.
2. Click **EPSON Status Monitor 3** on the **Maintenance** tab.


Note:

*If EPSON Status Monitor 3 is disabled, click **Extended Settings** on the **Maintenance** tab, and then select **Enable EPSON Status Monitor 3**.*

Related Information

➔ [“Windows Printer Driver” on page 145](#)

Checking the Ink Levels - Mac OS X

1. Select **System Preferences** from the  menu > **Printers & Scanners** (or **Print & Scan**, **Print & Fax**), and then select the printer.
2. Click **Options & Supplies** > **Utility** > **Open Printer Utility**.
3. Click **EPSON Status Monitor**.


Ink Cartridge Codes

Epson recommends the use of genuine Epson ink cartridges. Epson cannot guarantee the quality or reliability of non-genuine ink. The use of non-genuine ink may cause damage that is not covered by Epson's warranties, and under certain circumstances, may cause erratic printer behavior. Information about non-genuine ink levels may not be displayed.

The following are the codes for genuine Epson ink cartridges.

Replacing Ink Cartridges


XP-720 Series/XP-820 Series

Product	Icon	BK: Black	PBK: Photo Black	C: Cyan	M: Magenta	Y: Yellow
XP-720 XP-820	Polar Bear 	26 26XL ^{*1}	26 26XL ^{*1}	26 26XL ^{*1}	26 26XL ^{*1}	26 26XL ^{*1}
XP-720 ^{*2} XP-820 ^{*2}	–	273 273XL ^{*1}	273 273XL ^{*1}	273 273XL ^{*1}	273 273XL ^{*1}	273 273XL ^{*1}
XP-721 XP-821	–	255	256	256	256	256

*1 "XL" indicates a large cartridge.

*2 For Australia and New Zealand.

XP-760 Series/XP-860 Series

Product	Icon	BK: Black	C: Cyan	LC: Light Cyan	M: Magenta	LM: Light Magenta	Y: Yellow
XP-760 XP-860	Elephant 	24 24XL ^{*1}	24 24XL ^{*1}	24 24XL ^{*1}	24 24XL ^{*1}	24 24XL ^{*1}	24 24XL ^{*1}
XP-860 ^{*2}	–	277 277XL ^{*1}	277 277XL ^{*1}	277 277XL ^{*1}	277 277XL ^{*1}	277 277XL ^{*1}	277 277XL ^{*1}

*1 "XL" indicates a large cartridge.

*2 For Australia and New Zealand.

Note:

Not all cartridges are available in all regions.

For users in Europe, visit the following website for information on Epson's ink cartridge yields.

<http://www.epson.eu/pageyield>

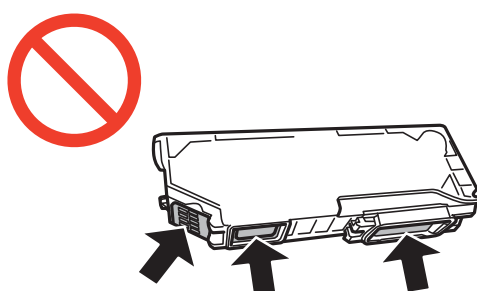
Ink Cartridge Handling Precautions

Read the following instructions before replacing ink cartridges.

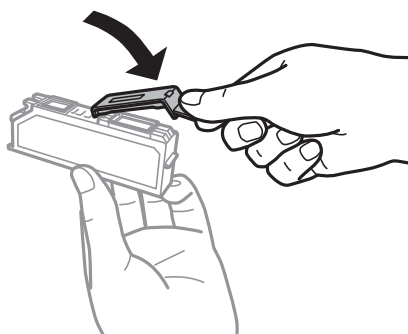
Replacing Ink Cartridges

Handling precautions

- ❑ Store ink cartridges at normal room temperature and keep them away from direct sunlight.
- ❑ Epson recommends using the ink cartridge before the date printed on the package.
- ❑ For best results, use up ink cartridge within six months of opening the package.
- ❑ For best results, store ink cartridge packages with their bottom down.
- ❑ After bringing an ink cartridge inside from a cold storage site, allow it to warm up at room temperature for at least three hours before using it.
- ❑ Do not open the ink cartridge package until you are ready to install it in the printer. The cartridge is vacuum packed to maintain its reliability. If you leave a cartridge unpacked for a long time before using it, normal printing may not be possible.
- ❑ Do not touch the sections shown in the illustration. Doing so may prevent normal operation and printing.



- ❑ Install all ink cartridges; otherwise you cannot print.
- ❑ Do not replace ink cartridges with the power off. Do not move the print head by hand; otherwise, you may damage the printer.
- ❑ After installing the ink cartridge, the power light continues to flash while the printer is charging ink. Do not turn off the printer during ink charging. If the ink charging is incomplete, you may not be able to print.
- ❑ Do not leave the printer with the ink cartridges removed or do not turn off the printer during cartridge replacement. Otherwise, ink remaining in the print head nozzles will dry out and you may not be able to print.
- ❑ Be careful not to let dust or any objects get inside the ink cartridge holder. Anything inside the holder may adversely affect the printing results or result in an inability to print. If anything gets inside the holder, remove it carefully.
- ❑ If you remove the cartridge from the printer for later use or to dispose of it, make sure you put the cap back on the cartridge's ink supply port to prevent ink from drying out or to prevent surrounding areas from getting smeared by ink.



Replacing Ink Cartridges

- ❑ This printer uses ink cartridges equipped with a green chip that monitors information such as the amount of remaining ink for each cartridge. This means that even if the cartridge is removed from the printer before it is expended, you can still use the cartridge after reinserting it back into the printer. However, when reinserting a cartridge, some ink may be consumed to guarantee printer performance.
- ❑ For maximum ink efficiency, only remove an ink cartridge when you are ready to replace it. Ink cartridges with low ink status may not be used when reinserted.
- ❑ To ensure you receive premium print quality and to help protect your print head, a variable ink safety reserve remains in the cartridge when your printer indicates to replace the cartridge. The yields quoted for you do not include this reserve.
- ❑ Although the ink cartridges may contain recycled materials, this does not affect printer function or performance.
- ❑ Specifications and appearance of the ink cartridge are subject to change without prior notice for improvement.
- ❑ Do not disassemble or remodel the ink cartridge, otherwise you may not be able to print normally.
- ❑ You cannot use the cartridges that came with the printer for the replacement.
- ❑ Quoted yields may vary depending on the images that you are printing, the paper type that you are using, the frequency of your prints and environmental conditions such as temperature.
- ❑ Finish ink cartridge replacement promptly. Do not leave the printer with the ink cartridges removed.

Ink Consumption

- ❑ To maintain optimum print head performance, some ink is consumed from all cartridges not only during printing but also during maintenance operations such as ink cartridge replacement and print head cleaning.
- ❑ When printing in monochrome or grayscale, color inks instead of black ink may be used depending on the paper type or print quality settings. This is because a mixture of color inks is used to create black.
- ❑ The ink in the ink cartridges supplied with your printer is partly used during initial setup. In order to produce high quality printouts, the print head in your printer will be fully charged with ink. This one-off process consumes a quantity of ink and therefore these cartridges may print fewer pages compared to subsequent ink cartridges.

Replacing Ink Cartridges

**Caution:**

Be careful not to trap your hand or fingers when opening or closing the scanner unit. Otherwise you may be injured.

**Important:**

Finish ink cartridge replacement promptly. Do not leave the printer with the ink cartridges removed.

Note:

If you replace the ink cartridges while copying, the originals may move out of place. Press the ⏹ button to cancel and replace the originals.

1. If the CD/DVD tray has been inserted, remove the tray.
2. Do one of the following.
 - ❑ When prompted to replace ink cartridges

Replacing Ink Cartridges

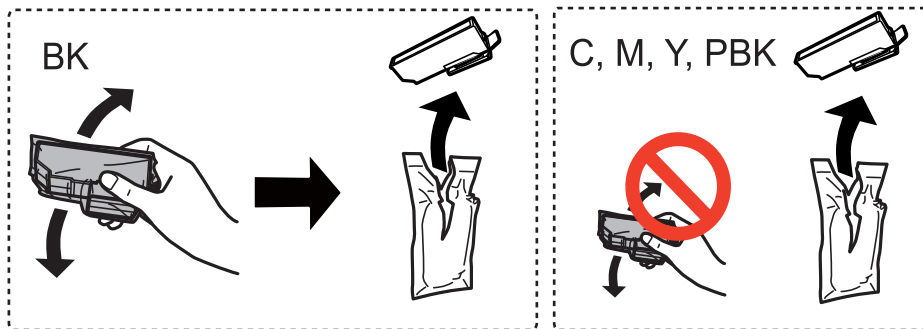
Check which ink cartridge needs to be replaced, touch **Proceed**, and then select **Yes, replace now**.

- ❑ When replacing ink cartridges before they are expended

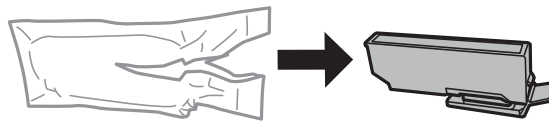
Enter **Setup** from the home screen, and then select **Maintenance > Ink Cartridge(s) Replacement**. Next, press the **◇** button.

3. Do one of the following.

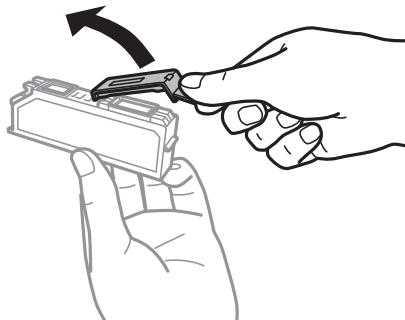
- ❑ For the XP-720 Series/XP-820 Series, when replacing the black ink cartridge, gently shake the new black ink cartridge four or five times and then remove it from its package. When replacing other color cartridges and the photo black cartridge, remove the new color cartridges and the photo black cartridge from their package without shaking.



- ❑ For the XP-760 Series/XP-860 Series, remove the ink cartridge from its package.



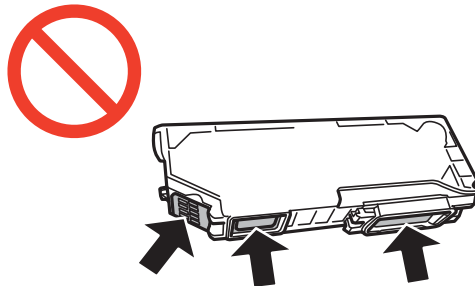
4. Remove the cap.



Replacing Ink Cartridges

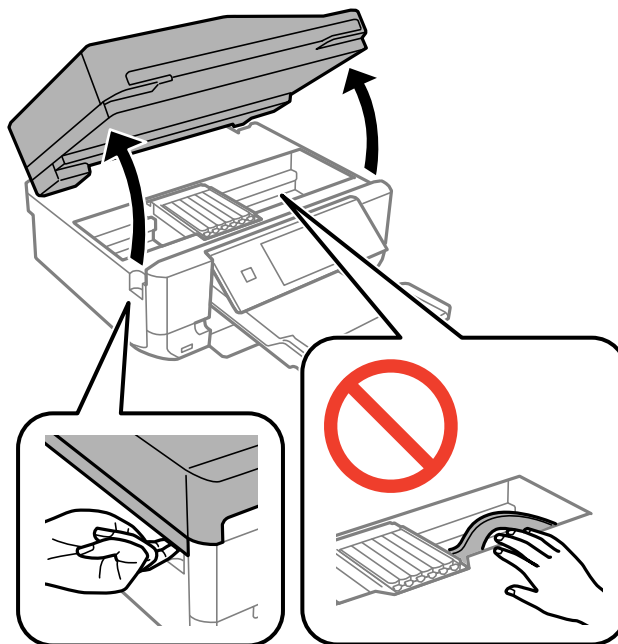
! *Important:*

❑ *Do not touch the sections shown in the illustration. Doing so may prevent normal operation and printing.*

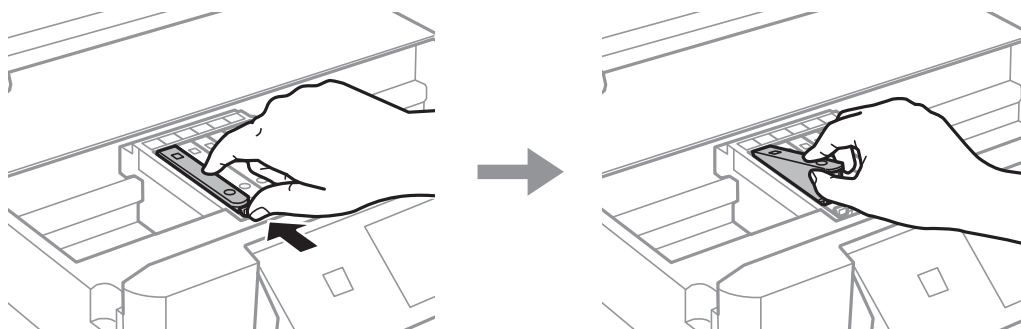


❑ *Do not shake cartridges after opening the package, as they may leak.*

5. Open the scanner unit with the document cover closed.



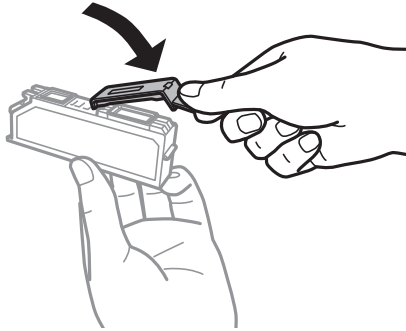
6. Push the tab to unlock the ink cartridge holder, and then remove the cartridge diagonally.



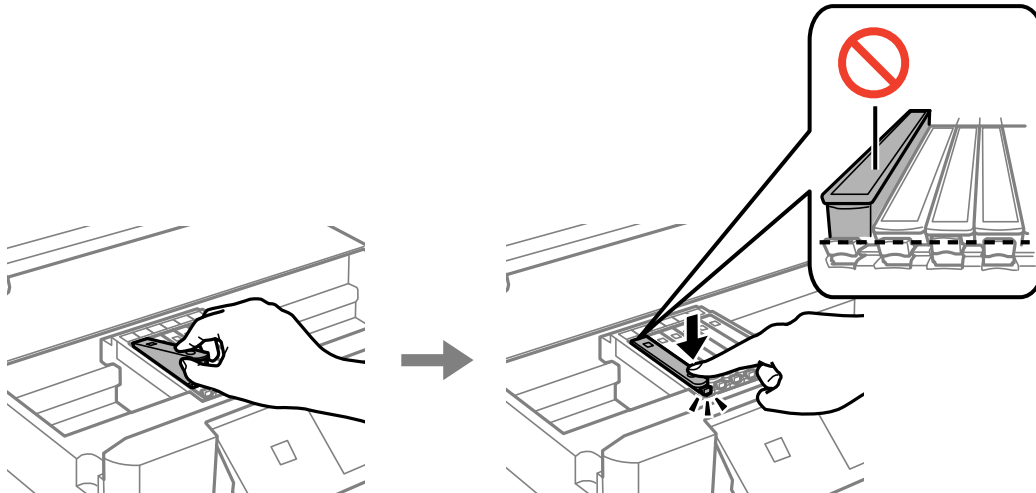
Replacing Ink Cartridges


! *Important:*

If you remove the cartridge from the printer for later use or to dispose of it, make sure you put the cap back on the cartridge's ink supply port to prevent ink from drying out or to prevent surrounding areas from getting smeared by ink.



7. Insert the ink cartridge diagonally into the cartridge holder and gently push it down until it clicks into place.



8. Close the scanner unit, and then press the  button.
9. Follow the on-screen instructions.

! *Important:*

- After installing the ink cartridge, the power light continues to flash while the printer is charging ink. Do not turn off the printer during ink charging. If the ink charging is incomplete, you may not be able to print.*
- Do not insert the CD/DVD tray until ink charging is complete.*

Related Information

- ➔ [“Ink Cartridge Codes” on page 124](#)
- ➔ [“Ink Cartridge Handling Precautions” on page 125](#)

Temporarily Printing with Black Ink

For the XP-720 Series/XP-820 Series

When color ink or photo black ink is expended but black ink still remains while printing from a computer, you can use the following settings to continue printing for a short time using only black ink.

For the XP-760 Series/XP-860 Series

When color ink is expended and black ink still remains while printing from a computer, you can use the following settings to continue printing for a short time using only black ink.

- Type of paper: plain papers, Envelope
- Color: **Grayscale**
- Borderless: Not selected
- EPSON Status Monitor 3: Enabled (for Windows only)

Because this feature is only available for approximately five days, replace the expended ink cartridge as soon as possible.

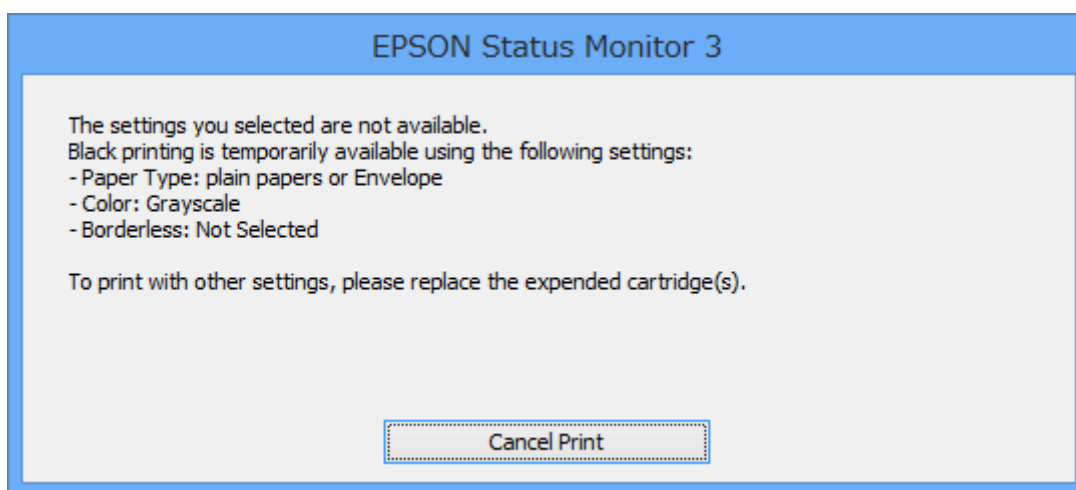
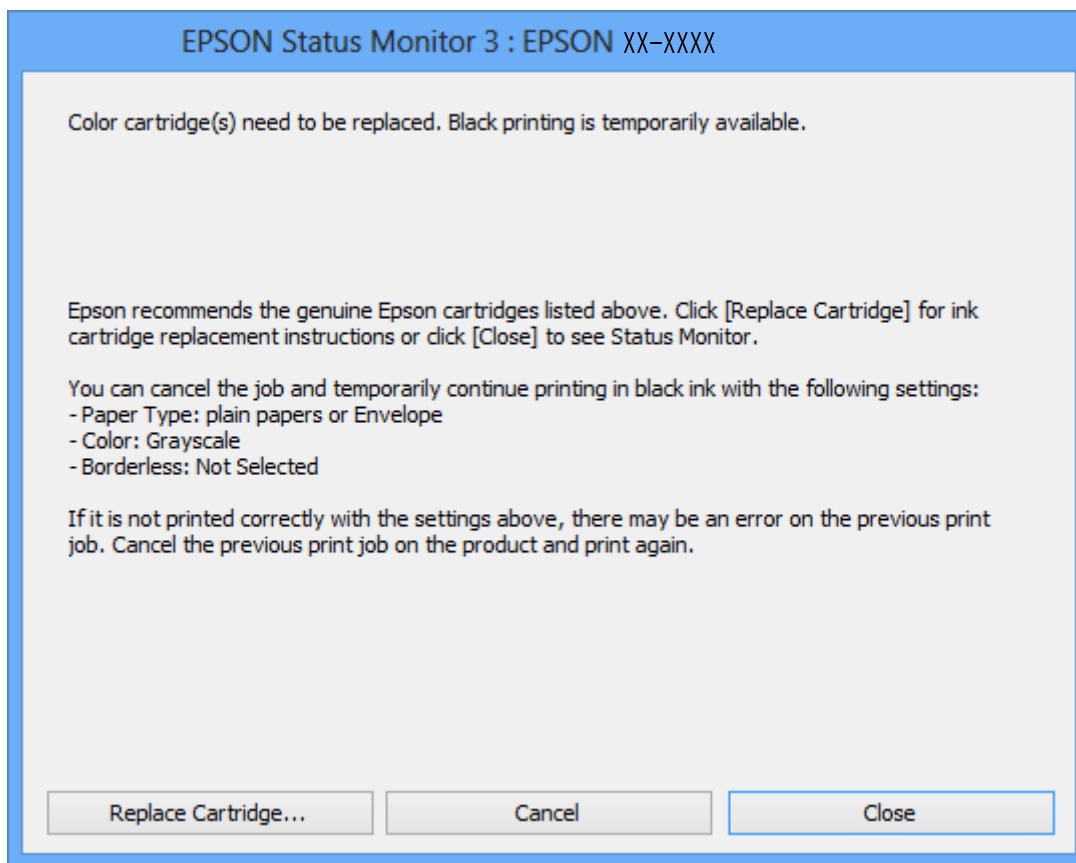
Note:

- If **EPSON Status Monitor 3** is disabled, access the printer driver, click **Extended Settings** on the **Maintenance** tab, and then select **Enable EPSON Status Monitor 3**.*
- The available period varies depending on the usage conditions.*

Replacing Ink Cartridges

Temporarily Printing with Black Ink - Windows

1. When the following window is displayed, cancel printing.

**Note:**

If you cannot cancel printing from the computer, cancel using the printer's control panel.

2. Access the printer driver window.
3. Clear **Borderless** on the **Main** tab.
4. Select **plain papers** or **Envelope** as the **Paper Type** setting on the **Main** tab.

Replacing Ink Cartridges

5. Select **Grayscale**.
6. Set the other items on the **Main** and **More Options** tabs as necessary, and then click **OK**.
7. Click **Print**.
8. Click **Print in Black** in the window displayed.


Related Information

- ➔ [“Loading Paper in the Paper Cassette 1” on page 41](#)
- ➔ [“Loading Paper in the Paper Cassette 2” on page 44](#)
- ➔ [“Loading Paper in the Rear Paper Feed Slot” on page 48](#)
- ➔ [“Printing Basics - Windows” on page 71](#)

Temporarily Printing with Black Ink - Mac OS X

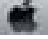
Note:

To use this feature through a network, connect with **Bonjour**.

1. Click the printer icon in the **Dock**.
2. Cancel the job.
 - Mac OS X v10.8.x to Mac OS X v10.9.x
Click  next to the progress meter.
 - Mac OS X v10.6.x to v10.7.x
Click **Delete**.

Note:

If you cannot cancel printing from the computer, cancel using the printer's control panel.

3. Select **System Preferences** from the  menu > **Printers & Scanners** (or **Print & Scan, Print & Fax**), and then select the printer. Click **Options & Supplies** > **Options** (or **Driver**).
4. Select **On** as the **Permit temporary black printing** setting.
5. Access the print dialog.
6. Select **Print Settings** from the pop-up menu.
7. Select any paper size except for a borderless size as the **Paper Size** setting.
8. Select **plain papers** or **Envelope** as the **Media Type** setting.
9. Select **Grayscale**.
10. Set the other items as necessary.
11. Click **Print**.

Replacing Ink Cartridges

Related Information

- ➔ [“Loading Paper in the Paper Cassette 1” on page 41](#)
- ➔ [“Loading Paper in the Paper Cassette 2” on page 44](#)
- ➔ [“Loading Paper in the Rear Paper Feed Slot” on page 48](#)
- ➔ [“Printing Basics - Mac OS X” on page 73](#)

Conserving Black Ink when the Black Ink Is Low (for Windows Only)

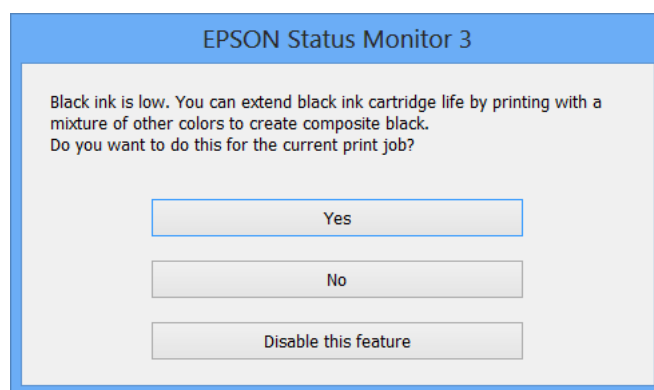
When black ink is running low and there is enough color ink remaining, you can use a mixture of color inks to create black. You can continue printing while preparing a replacement black ink cartridge.

This feature is only available when you select the following settings in the printer driver.

- Paper Type: **plain papers**
- Quality: **Standard**
- EPSON Status Monitor 3: Enabled

Note:

- If EPSON Status Monitor 3 is disabled, access the printer driver, click **Extended Settings** on the **Maintenance** tab, and then select **Enable EPSON Status Monitor 3**.*
- Composite black looks slightly different from pure black. In addition, the print speed is reduced.*
- To maintain the quality of the print head, black ink is also consumed.*



Menu	Descriptions
Yes	<p>For the XP-720 Series/XP-820 Series</p> <p>Select to use a mixture of color inks and photo black ink to create black. This window is displayed the next time you print a similar job.</p> <p>For the XP-760 Series/XP-860 Series</p> <p>Select to use a mixture of color inks to create black. This window is displayed the next time you print a similar job.</p>
No	<p>Select to continue using the remaining black ink. This window is displayed the next time you print a similar job.</p>

Replacing Ink Cartridges

Menu	Descriptions
Disable this feature	Select to continue using the remaining black ink. This window is not displayed until you replace the black ink cartridge and it runs low again.

Improving Print and Scan Quality


Checking and Cleaning the Print Head

If the nozzles are clogged, the printouts become faint, there is visible banding, or unexpected colors appear. When print quality has declined, use the nozzle check feature and check if the nozzles are clogged. If the nozzles are clogged, clean the print head.

! **Important:**

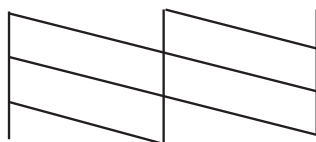
Do not open the scanner unit or turn off the printer during head cleaning. If the head cleaning is incomplete, you may not be able to print.

Note:

- Because print head cleaning uses some ink, clean the print head only if quality declines.
- When ink is low you may not be able to clean the print head. Replace the appropriate ink cartridge first.
- If print quality has not improved after repeating nozzle check and head cleaning about two times, wait for at least six hours without printing, and then run the nozzle check again and repeat the head cleaning if necessary. If the printer operates printing while waiting, extend the waiting time. We recommend to turn off the printer. If print quality has still not improved, contact Epson support.
- To prevent the print head from drying out, always turn the printer off by pressing the  button.
- To keep the print head operating at its best, we recommend printing a few pages on a regular basis.

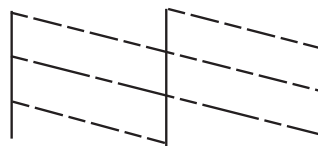
Checking and Cleaning the Print Head - Control Panel

1. Load A4-size plain paper in the paper cassette.
2. Enter **Setup** from the home screen.
3. Select **Maintenance > Nozzle Check**.
4. Follow the on-screen instructions to print the nozzle check pattern.
5. Compare the printed check pattern with the sample shown below.
 - All lines are printed: The print head nozzles are not clogged. Select **Done**.



Improving Print and Scan Quality

- ❑ There are broken lines or missing segments: The print head nozzles may be clogged. Go to the next step.



Note:

The test pattern may vary by model.

6. Select **Clean the Print Head**.
7. Follow the on-screen instructions to clean the print head.
8. When cleaning is finished, select **Print Nozzle Check Pattern**, and then follow the on-screen instructions to print the nozzle check pattern again. Repeat cleaning and printing the pattern until all lines are printed completely.

Related Information

- ➔ [“Loading Paper in the Paper Cassette 2” on page 44](#)


Checking and Cleaning the Print Head - Windows

1. Load A4-size plain paper in the paper cassette.
2. Access the printer driver window.
3. Click **Nozzle Check** on the **Maintenance** tab.
4. Follow the on-screen instructions.

Related Information

- ➔ [“Loading Paper in the Paper Cassette 2” on page 44](#)
- ➔ [“Windows Printer Driver” on page 145](#)

Checking and Cleaning the Print Head - Mac OS X

1. Load A4-size plain paper in the paper cassette.
2. Select **System Preferences** from the  menu > **Printers & Scanners** (or **Print & Scan**, **Print & Fax**), and then select the printer.
3. Click **Options & Supplies** > **Utility** > **Open Printer Utility**.
4. Click **Nozzle Check**.
5. Follow the on-screen instructions.

Related Information

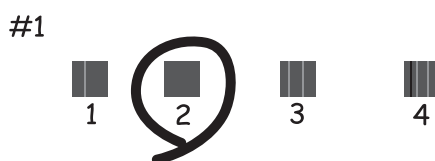
➔ [“Loading Paper in the Paper Cassette 2” on page 44](#)

Aligning the Print Head

If you notice a misalignment of vertical lines or blurred images, align the print head.

Aligning the Print Head - Control Panel

1. Load A4-size plain paper in the paper cassette.
2. Enter **Setup** from the home screen.
3. Select **Maintenance > Print Head Alignment**.
4. Follow the on-screen instructions to print the alignment pattern.
5. Follow the on-screen instructions to align the print head. Find and select the number for the most solid pattern in each group using the – or + button.

**Note:**

❑ *The test pattern may vary by model.*

❑ *If print quality is not improved, align the print head from a computer.*

Related Information

➔ [“Loading Paper in the Paper Cassette 2” on page 44](#)

Aligning the Print Head - Windows


1. Load A4-size plain paper in the paper cassette.
2. Access the printer driver window.
3. Click **Print Head Alignment** on the **Maintenance** tab.
4. Follow the on-screen instructions.

Improving Print and Scan Quality

Related Information

- ➔ [“Loading Paper in the Paper Cassette 2” on page 44](#)
- ➔ [“Windows Printer Driver” on page 145](#)

Aligning the Print Head - Mac OS X

1. Load A4-size plain paper in the paper cassette.
2. Select **System Preferences** from the  menu > **Printers & Scanners** (or **Print & Scan, Print & Fax**), and then select the printer.
3. Click **Options & Supplies** > **Utility** > **Open Printer Utility**.
4. Click **Print Head Alignment**.
5. Follow the on-screen instructions.

Related Information

- ➔ [“Loading Paper in the Paper Cassette 2” on page 44](#)

Cleaning the Paper Path

When the printouts are smeared or scuffed or paper does not feed correctly, clean the roller inside. You cannot use the cleaning sheet that came with the paper.

**Important:**

Do not use tissue paper to clean the inside of the printer. The print head nozzles may be clogged with lint.

1. Make sure there is no dust or stains on the scanner glass and the document cover.
2. Load A4-size plain paper in the paper cassette.
3. Start copying without placing the original.

Note:

Repeat this procedure until the paper is not smeared with ink. If you are using the rear paper feed slot, load A4-size plain paper after starting to copy.

Related Information

- ➔ [“Loading Paper in the Paper Cassette 2” on page 44](#)
- ➔ [“Loading Paper in the Rear Paper Feed Slot” on page 48](#)
- ➔ [“Copying Basics” on page 97](#)

Cleaning the Scanner Glass

When the copies or scanned images are smeared or scuffed, clean the scanner glass.

Improving Print and Scan Quality



Caution:

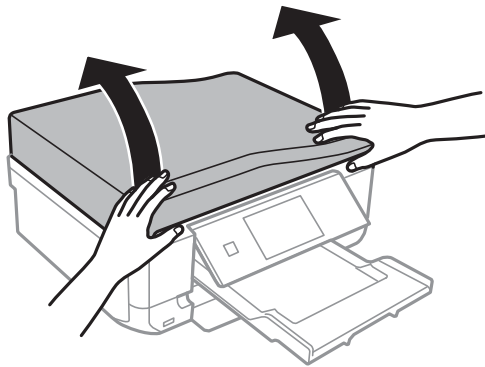
Be careful not to trap your hand or fingers when opening or closing the document cover. Otherwise you may be injured.



Important:

Never use alcohol or thinner to clean the printer. These chemicals can damage the printer.

1. Open the document cover.



2. Use a soft, dry, clean cloth to clean the surface of the scanner glass.

Note:

- If the glass surface is stained with grease or some other hard-to-remove material, use a small amount of glass cleaner and a soft cloth to remove it. Wipe off all remaining liquid.
- Do not press the glass surface too hard.
- Be careful not to scratch or damage the surface of the glass. A damaged glass surface can decrease the scan quality.

Cleaning the ADF (ADF-equipped Printers Only)

When the copied or scanned images from the ADF are smeared or the originals do not feed in the ADF correctly, clean the ADF.



Caution:

Be careful not to trap your hand or fingers when opening or closing the document cover. Otherwise you may be injured.

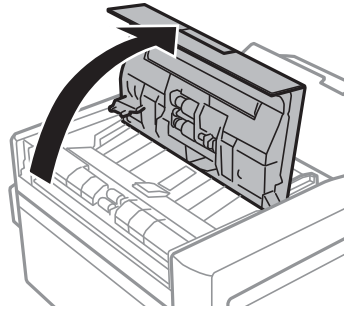


Important:

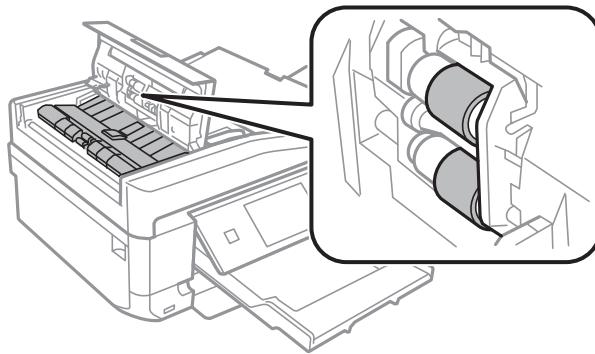
Never use alcohol or thinner to clean the printer. These chemicals can damage the printer.

Improving Print and Scan Quality

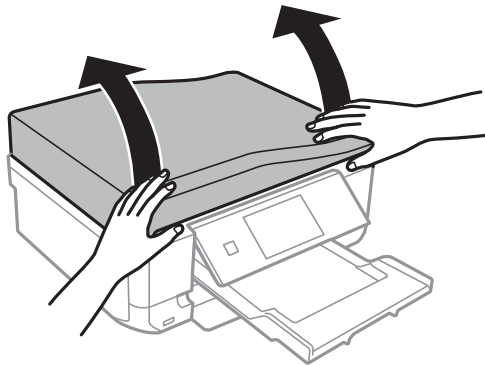
1. Open the ADF cover.



2. Use a soft, dry, clean cloth to clean the roller and the interior of the ADF, and then close the ADF cover.

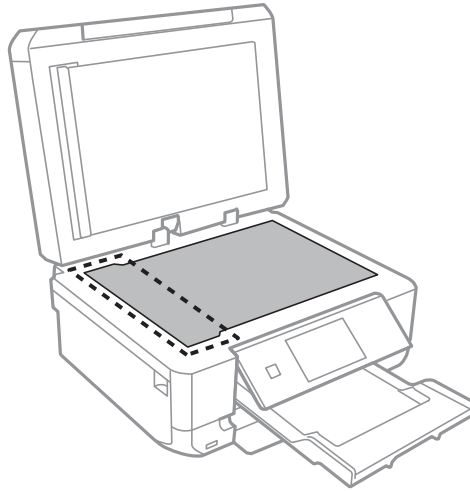


3. Open the document cover.



Improving Print and Scan Quality

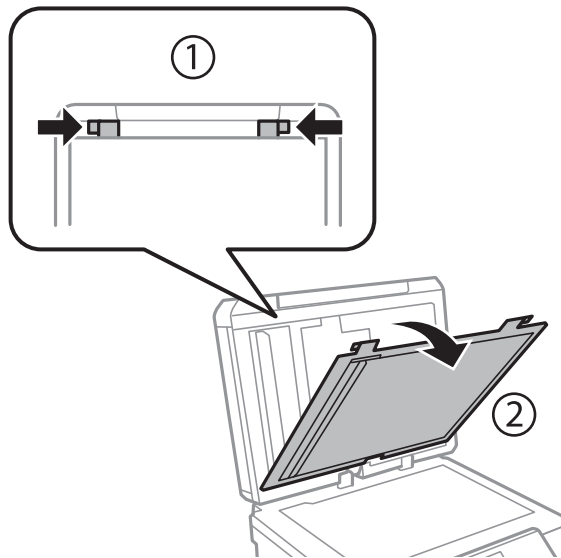
4. Use a soft, dry, clean cloth to clean the part that is shown in the illustration.



Note:

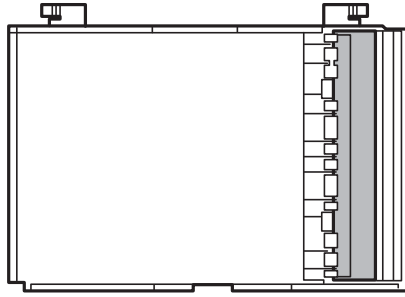
- ❑ If the glass surface is stained with grease or some other hard-to-remove material, use a small amount of glass cleaner and a soft cloth to remove it. Wipe off all remaining liquid.
- ❑ Do not press the glass surface too hard.
- ❑ Be careful not to scratch or damage the surface of the glass. A damaged glass surface can decrease the scan quality.

5. Remove the document mat.



Improving Print and Scan Quality

6. Use a soft, dry, clean cloth to clean the clear parts on the reverse side of the document mat.



7. Attach the document mat, and then close the document cover.

Applications and Network Service Information

Epson Connect Service

Using Epson Connect, you can print from your smartphone, tablet PC, or laptop, anytime and practically anywhere. You can also send scanned images to the Cloud service.

The following features are available for your printer.

Email Print	Epson iPrint remote print	Scan to Cloud	Remote Print Driver
✓	✓	✓	✓

See the Epson Connect portal website for details.

<https://www.epsonconnect.com/>

<http://www.epsonconnect.eu> (Europe only)

Web Config

Web Config is an application that allows you to manage the printer status or settings on a Web browser from a computer or smart device. You can confirm the printer status or change the network and printer settings. To use the Web Config, connect the printer and device to the same network.

Note:


The following browsers are supported.

OS	Browser
Windows XP or later	Internet Explorer 8 or later, Firefox*, Chrome*
Mac OS X v10.6.x or later	Safari*, Firefox*, Chrome*
iOS*	Safari*
Android 2.3 or later	Default browser
Chrome OS*	Default browser

*: Use the latest version.

Running Web Config on a Web Browser

1. Check the printer's IP address.

Press the network icon (for example ) from the home screen, and then check the printer's IP address.

Applications and Network Service Information

2. Launch a Web browser from a computer or smart device, and then enter the printer's IP address.

Format:

IPv4: http://the printer's IP address/

IPv6: http://[the printer's IP address]/

Examples:

IPv4: http://192.168.100.201/

IPv6: http://[2001:db8::1000:1]/

Note:

Using the smart device, you can also run Web Config from the maintenance screen of Epson iPrint.


Related Information

➔ [“Using Epson iPrint” on page 91](#)

Running Web Config on Windows

1. Access the devices and printers screen in Windows.
 - Windows 8.1/Windows 8
Select **Desktop > Settings > Control Panel > View devices and printers in Hardware and Sound (or Hardware)**.
 - Windows 7
Click the start button, and select **Control Panel > View devices and printers in Hardware and Sound**.
 - Windows Vista
Click the start button, and select **Control Panel > Printers in Hardware and Sound**.
2. Right-click on your printer and select **Properties**.
3. Select the **Web Service** tab and click the URL.

Running Web Config on Mac OS X

1. Select **System Preferences** from the  menu > **Printers & Scanners** (or **Print & Scan, Print & Fax**), and then select the printer.
2. Click **Options & Supplies > Show Printer Webpage**.

Necessary Applications

Windows Printer Driver

The printer driver is an application that controls the printer according to the print commands from other applications. Making settings on the printer driver provides the best printing results. You can also check the status of the printer or keep it in top operating condition using the printer driver utility.

Applications and Network Service Information

Note:

You can change the language of the printer driver. Select the language you want to use from the **Language** setting on the **Maintenance** tab.

Accessing the printer driver from applications

To make settings that apply only to the application you are using, access from that application.

Select **Print** or **Print Setup** from the **File** menu. Select your printer, and then click **Preferences** or **Properties**.

Note:

Operations differ depending on the application. See the application's help for details.

Accessing the printer driver from the control panel

To make settings that apply to all of the applications, access from the control panel.

 Windows 8.1/Windows 8

Select **Desktop > Settings > Control Panel > View devices and printers in Hardware and Sound**. Right-click on your printer, or press and hold it and then select **Printing preferences**.

 Windows 7

Click the start button, and select **Control Panel > View devices and printers in Hardware and Sound**. Right-click on your printer and select **Printing preferences**.

 Windows Vista

Click the start button, and select **Control Panel > Printers in Hardware and Sound**. Right-click on your printer and select **Printing preferences**.

 Windows XP

Click the start button, and select **Control Panel > Printers and Other Hardware > Printers and Faxes**. Right-click on your printer and select **Printing preferences**.

Accessing the printer driver from the printer icon on the task bar (Windows)

The printer icon on the desktop task bar is a shortcut icon allowing you to quickly access the printer driver.

If you click the printer icon and select **Printer Settings**, you can access the same printer settings window as the one displayed from the control panel. If you double-click this icon, you can check the status of the printer.

Note:

If the printer icon is not displayed on the task bar, access the printer driver window, click **Monitoring Preferences** on the **Maintenance** tab, and then select **Register the shortcut icon to the taskbar**.

Guide to Windows Printer Driver

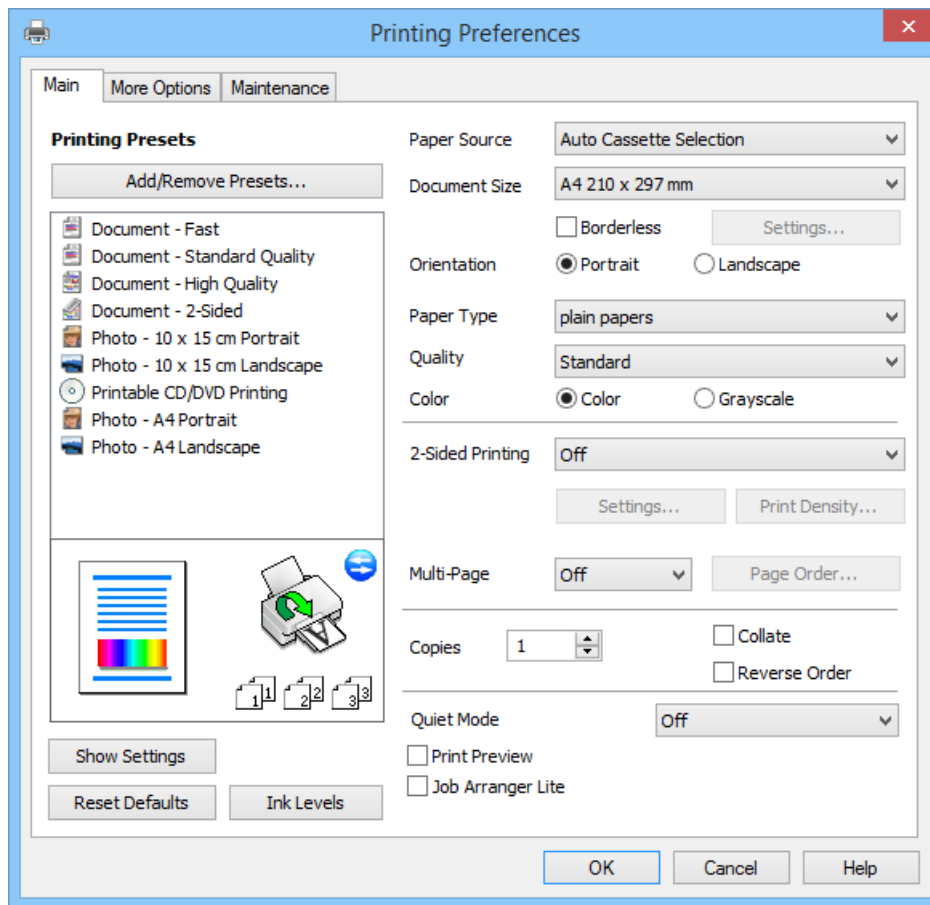
Help is available in the printer driver for Windows. To view explanations of the setting items, right-click on each item, and then click **Help**.

Main Tab

You can make basic settings for printing, such as paper type or paper size.

Applications and Network Service Information

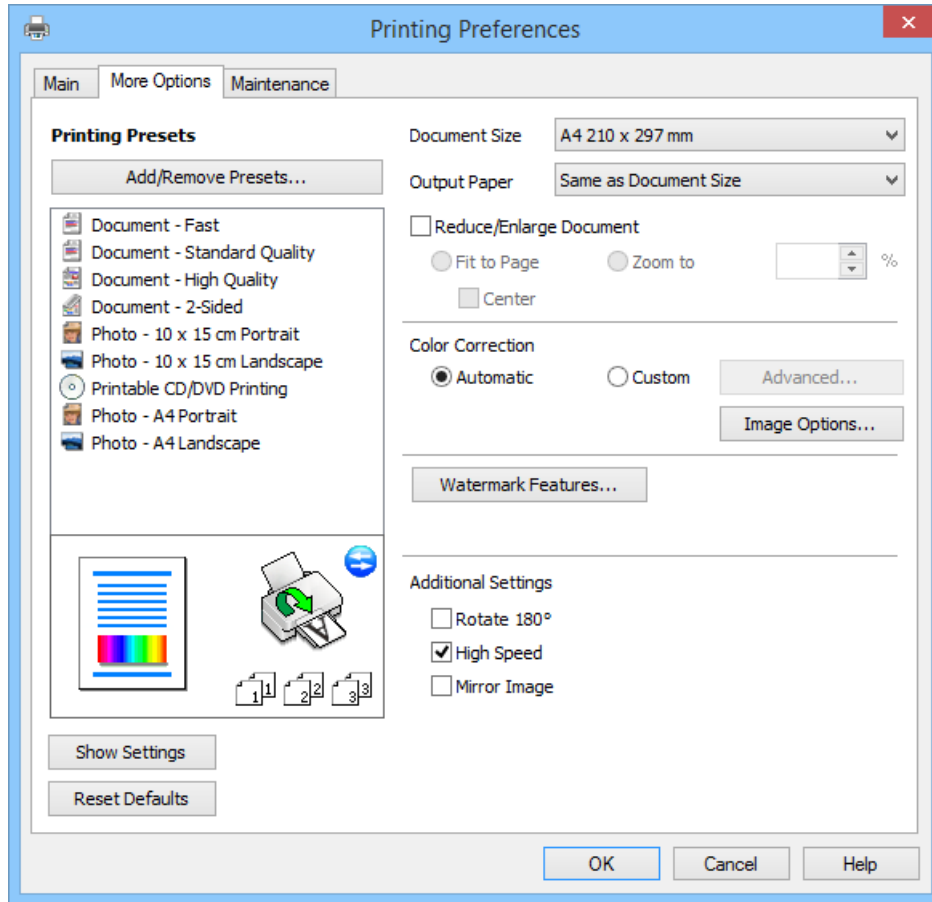
You can also make settings for printing both sides of the paper or printing multiple pages on one sheet.



Applications and Network Service Information

More Options Tab

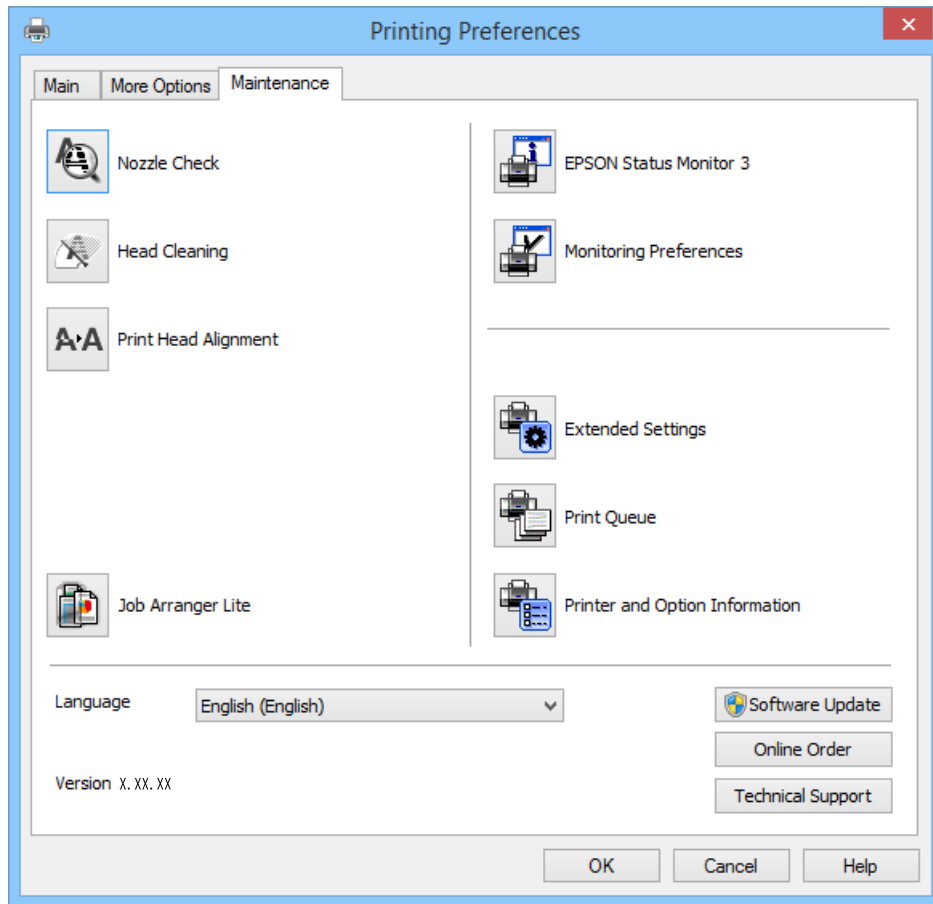
You can select additional layout and printing options such as changing the size of a printout or making color corrections.



Applications and Network Service Information

Maintenance Tab

You can check the approximate ink levels and error information, and also maintain your printer, such as nozzle check or print head cleaning.



Making Operation Settings for the Windows Printer Driver

You can make settings such as enabling **EPSON Status Monitor 3**.

1. Access the printer driver window.
2. Click **Extended Settings** on the **Maintenance** tab.
3. Make the appropriate settings, and then click **OK**.
See the online help for explanations of the setting items.

Related Information

➔ [“Windows Printer Driver” on page 145](#)

Mac OS X Printer Driver

The printer driver is an application that controls the printer according to the print commands from other applications. Making settings on the printer driver provides the best printing results. You can also check the status of the printer or keep it in top operating condition using the printer driver utility.

Applications and Network Service Information

Accessing the printer driver from applications

Select **Print** from the **File** menu. If necessary, click **Show Details** (or ▼) to expand the print window.

Note:

Operations differ depending on the application. See the application's help for details.

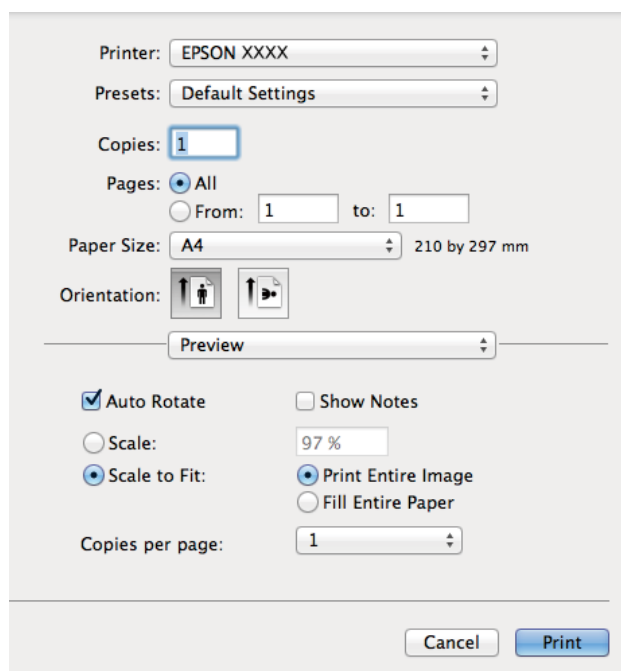
Starting the utility

Select **System Preferences** from the  menu > **Printers & Scanners** (or **Print & Scan**, **Print & Fax**), and then select the printer. Click **Options & Supplies** > **Utility** > **Open Printer Utility**.

Guide to Mac OS X Printer Driver

Printer Driver Screen

Switch the pop-up menu on the center of the screen to show more items.



Pop-up Menu	Descriptions
Print Settings	You can make basic settings for printing, such as paper type or borderless printing.
Two-sided Printing Settings	You can select a binding direction for 2-sided printing or select a document type. This menu is only displayed for automatic 2-sided printing capable models.
Layout	You can select a layout for printing several pages on one sheet or select to print a border.
Paper Handling	You can reduce or enlarge the size of the print job to automatically fit the paper size you loaded.
Color Matching	You can adjust the colors.

Applications and Network Service Information

Note:

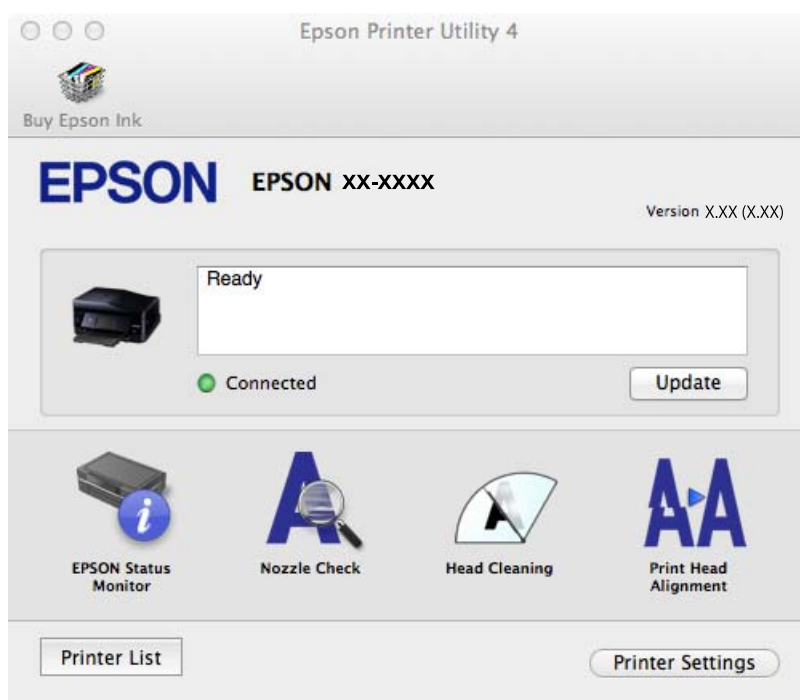
On Mac OS X v10.8.x or later, if **Print Settings** menu is not displayed, Epson printer driver has not been installed correctly.

Select **System Preferences** from the  menu > **Printers & Scanners** (or **Print & Scan**, **Print & Fax**), remove the printer, and then add the printer again. See the following to add a printer.

<http://epson.sn>


Epson Printer Utility

You can check the approximate ink levels and error information, and also maintain your printer, such as nozzle check or print head cleaning.



Making Operation Settings for the Mac OS X Printer Driver

You can make various settings such as skipping blank pages and enabling/disabling high speed printing.

1. Select **System Preferences** from the  menu > **Printers & Scanners** (or **Print & Scan**, **Print & Fax**), and then select the printer. Click **Options & Supplies** > **Options** (or **Driver**).
2. Make the appropriate settings, and then click **OK**.
 - Thick paper and envelopes: Prevents the ink from smearing when printing on thick paper. However, the print speed may be slower.
 - Skip Blank Page: Avoids printing blank pages.
 - Quiet Mode: Prints quietly. However, the print speed may be slower.
 - Permit temporary black printing: Prints only with black ink temporarily.
 - High Speed Printing: Prints when the print head moves in both directions. The print speed is faster, but the quality may decline.
 - Remove white borders: Removes unnecessary margins during borderless printing.
 - Warning Notifications: Allows the printer driver to display warning notifications.

Applications and Network Service Information

- Establish bidirectional communication: Usually, this should be set to **On**. Select **Off** when acquiring the printer information is impossible because the printer is shared with Windows computers on a network or for any other reason.
- Lower Cassette: Add the optional paper cassette units to the paper source.

Note:

The availability of these settings varies by model.

Related Information

➔ [“Temporarily Printing with Black Ink” on page 131](#)

EPSON Scan (Scanner Driver)

EPSON Scan is an application for controlling scanning. You can adjust the size, resolution, brightness, contrast, and quality of the scanned image.

Note:

You can also start EPSON Scan from a TWAIN-compliant scanning application.

Starting on Windows

- Windows 8.1/Windows 8

Enter the application name in the search charm, and then select the displayed icon.

- Except for Windows 8.1/Windows 8

Click the start button, and select **All Programs** or **Programs > EPSON > EPSON Scan > EPSON Scan**.

Starting on Mac OS X

Note:

EPSON Scan does not support the Mac OS X fast user switching feature. Turn off fast user switching.

Select **Go > Applications > Epson Software > EPSON Scan**.

Epson Event Manager

Epson Event Manager is an application that allows you to manage scanning from the control panel and save images to a computer. You can add your own settings as presets, such as the document type, the save folder location, and the image format. See the application's help for details.

Starting on Windows

- Windows 8.1/Windows 8

Enter the application name in the search charm, and then select the displayed icon.

- Except for Windows 8.1/Windows 8

Click the start button, and select **All Programs** or **Programs > Epson Software > Event Manager**.

Starting on Mac OS X

Select **Go > Applications > Epson Software > Event Manager**.

Applications and Network Service Information

Related Information

➔ [“Scanning to a Computer” on page 100](#)

PC-FAX Driver (Fax Driver)

PC-FAX driver is an application that allows you to send a document created on a separate application as a fax directly from the computer. PC-FAX driver is installed when you install FAX Utility. See the application's help for details.

Note:

The operation differs depending on the application you used to create the document. See the application's help for details.

Accessing from Windows

In the application, select **Print** or **Print Setup** from the **File** menu. Select your printer (FAX), and then click **Preferences** or **Properties**.

Accessing from Mac OS X

In the application, select **Print** from the **File** menu. Select your printer (FAX) as the **Printer** setting, and then select **Fax Settings** or **Recipient Settings** from the pop-up menu.

FAX Utility

FAX Utility is an application that allows you to configure various settings for sending faxes from a computer. You can create or edit the contacts list to be used when sending a fax, configure to save received faxes in PDF format on the computer, and so on. See the application's help for details.

Note:

Make sure you have installed the printer driver before installing FAX Utility.

Starting on Windows

- Windows 8.1/Windows 8

Enter the application name in the search charm, and then select the displayed icon.

- Except for Windows 8.1/Windows 8

Click the start button, and select **All Programs** (or **Programs**) > **Epson Software** > **FAX Utility**.

Starting on Mac OS X

Select **System Preferences** from the  menu > **Printers & Scanners** (or **Print & Scan, Print & Fax**), and then select the printer (FAX). Click **Options & Supplies** > **Utility** > **Open Printer Utility**.

Epson Easy Photo Print

Epson Easy Photo Print is an application that allows you to easily print photos with various layouts. You can preview the photo image and adjust the images or position. You can also print photos with a frame. See the application's help for details.

Note:

To use this application, the printer driver needs to be installed.

Applications and Network Service Information

Starting on Windows

- Windows 8.1/Windows 8

Enter the application name in the search charm, and then select the displayed icon.

- Except for Windows 8.1/Windows 8

Click the start button, and then select **All Programs** or **Programs** > **Epson Software** > **Epson Easy Photo PrintE-Photo**.

Starting on Mac OS X

Select **Go** > **Applications** > **Epson Software** > **Epson Easy Photo Print**.

Epson Print CD

Epson Print CD is an application that allows you to design a CD/DVD label to be printed directly onto a CD/DVD. You can also print a CD/DVD jacket for CD/DVD case. See the application's help for details.

Note:

To use this application, the printer driver needs to be installed.

Starting on Windows

- Windows 8/Windows 8.1

Enter the application name in the search charm, and then select the displayed icon.

- Except for Windows 8/Windows 8.1

Click the start button, and then select **All Programs** or **Programs** > **Epson Software** > **Print CD**.

Starting on Mac OS X

Select **Go-Applications** > **Epson Software** > **Print CD** > **Print CD**.

E-Web Print (for Windows Only)

E-Web Print is an application that allows you to easily print web pages with various layouts. See the application's help for details. You can access the help from the **E-Web Print** menu on the **E-Web Print** tool bar.

Starting

When you install E-Web Print, it is displayed in your browser. Click **Print** or **Clip**.

Easy Photo Scan

Easy Photo Scan is an application that allows you to scan photos and easily send the scanned image to a computer or cloud service. You can also easily adjust the scanned image. See the application's help for details.

Note:

To use this application, the scanner driver EPSON Scan needs to be installed.

Starting on Windows

- Windows 8.1/Windows 8

Enter the application name in the search charm, and then select the displayed icon.

Applications and Network Service Information

- Except for Windows 8.1/Windows 8

Click the start button, and select **All Programs** or **Programs** > **Epson Software** > **Easy Photo Scan**.

Starting on Mac OS X

Select **Go** > **Applications** > **Epson Software** > **Easy Photo Scan**.

EPSON Software Updater

EPSON Software Updater is an application that checks for new or updated software on the internet and installs it. You can also update the printer's firmware and manual.

Starting on Windows

- Windows 8.1/Windows 8

Enter the application name in the search charm, and then select the displayed icon.

- Except for Windows 8.1/Windows 8

Click the start button, and select **All Programs** (or **Programs**) > **Epson Software** > **EPSON Software Updater**.

Note:

*You can also start EPSON Software Updater by clicking the printer icon on the task bar on the desktop, and then selecting **Software Update**.*

Starting on Mac OS X


Select **Go** > **Applications** > **Epson Software** > **EPSON Software Updater**.

Uninstalling Applications

Note:

Log on to your computer as an administrator. Enter the administrator password if the computer prompts you.

Uninstalling Applications - Windows

1. Press the  button to turn off the printer.
2. Quit all running applications.
3. Open **Control Panel**:
 - Windows 8.1/Windows 8
Select **Desktop** > **Settings** > **Control Panel**.
 - Except for Windows 8.1/Windows 8
Click the start button and select **Control Panel**.
4. Open **Uninstall a program** (or **Add or Remove Programs**):
 - Windows 8.1/Windows 8/Windows 7/Windows Vista
Select **Uninstall a program** in **Programs**.
 - Windows XP

Applications and Network Service Information

Click **Add or Remove Programs**.



5. Select the application you want to uninstall.
6. Uninstall the applications:
 - Windows 8.1/Windows 8/Windows 7/Windows Vista
Click **Uninstall/Change** or **Uninstall**.
 - Windows XP
Click **Change/Remove** or **Remove**.

Note:

If the **User Account Control** window is displayed, click **Continue**.

7. Follow the on-screen instructions.

Uninstalling Applications - Mac OS X

1. Download the Uninstaller using EPSON Software Updater.
Once you have downloaded the Uninstaller, you do not need to download it again each time you uninstall the application.
2. Turn off the printer by pressing the  button.
3. To uninstall the printer driver and PC-FAX driver for Fax-capable printers, select **System Preferences** from the  menu > **Printers & Scanners** (or **Print & Scan, Print & Fax**), and then remove the printer from the enabled printers list.
4. Quit all running applications.
5. Select **Go > Applications > Epson Software > Uninstaller**.
6. Select the application you want to uninstall, and then click **Uninstall**.

 **Important:**

The Uninstaller removes all drivers for Epson inkjet printers on the computer. If you use multiple Epson inkjet printers and you only want to delete some drivers, delete all of them first, and then install the necessary printer driver again.

Note:

*If you cannot find the application you want to uninstall in the application list, you cannot uninstall using the Uninstaller. In this situation, select **Go > Applications > Epson Software**, select the application you want to uninstall, and then drag it to the trash icon.*

Related Information

- ➔ [“EPSON Software Updater” on page 155](#)

Installing Applications

If your computer is connected to a network, install the latest applications available on the website. If you are unable to download the applications from the website, install them from the software disc that came with the printer.

Note:

- ❑ Log on to your computer as an administrator. Enter the administrator password if the computer prompts you.
- ❑ When reinstalling an application, you need to uninstall it first.

1. Quit all running applications.
2. When installing the printer driver or EPSON Scan, disconnect the printer and the computer temporarily.

Note:

Do not connect the printer and the computer until you are instructed to do so.

3. Install the applications by following the instructions on the website below.

<http://epson.sn>

Related Information

➔ [“Uninstalling Applications” on page 155](#)

Updating Applications and Firmware

You may be able to clear certain problems and improve or add functions by updating the applications and the firmware. Make sure you use the latest version of the applications and firmware.

1. Make sure that the printer and the computer are connected, and the computer is connected to the internet.
2. Start EPSON Software Updater, and update the applications or the firmware.

**Important:**

Do not turn off the computer or the printer while updating.

Note:

If you cannot find the application you want to update in the list, you cannot update using the EPSON Software Updater. Check for the latest versions of the applications from your local Epson website.

<http://www.epson.com>

Related Information


➔ [“EPSON Software Updater” on page 155](#)

Solving Problems

Checking the Printer Status

Checking Messages on the LCD Screen

If an error message is displayed on the LCD screen, follow the on-screen instructions or the solutions below to solve the problem.

Error Messages	Solutions
Printer error. Turn the power off and on again. For details, see your documentation.	If the error message is still displayed after turning power off and on again, contact Epson support.
Operation canceled. An error occurred while saving.	The external storage device, such as a memory card, may be damaged. Check if the device is available.
Ink is low.	You can continue printing until you are prompted to replace the ink cartridges. However, note that the printer cannot print if any of the ink cartridges is expended. Prepare new cartridges as soon as possible.
You need to replace the following ink cartridge(s).	To ensure you receive premium print quality and to help protect your print head, a variable ink safety reserve remains in the cartridge when your printer indicates it is time to replace the cartridge. Replace the cartridge when you are prompted to do so.
Paper Configuration is disabled. Some features may not be available. For details, see your documentation.	If Paper Configuration is disabled, you cannot use AirPrint. In addition, messages notifying you that the paper size and type do not match are not displayed. Keep this setting enabled unless you always use the same size and type of paper and do not need to change the paper settings.
A printer's ink pad is nearing the end of its service life. Please contact Epson Support.	Contact Epson or an authorised Epson service provider to replace the ink pad*. It is not a user-serviceable part. The message will be displayed until the ink pad is replaced. Press the  button to resume printing.
A printer's ink pad is at the end of its service life. Please contact Epson Support.	Contact Epson or an authorised Epson service provider to replace the ink pad*. It is not a user-serviceable part.
Communication error. Check if a computer is connected.	Connect the computer and the printer correctly. If you are connecting over a network, see the <i>Network Guide</i> . If the error message is still displayed, make sure that EPSON Scan and Epson Event Manager are installed on the computer.
Combination of the IP address and the subnet mask is invalid. See your documentation.	See the <i>Network Guide</i> .
No dial tone detected. Run Check Fax Connection under Fax Settings in Setup menu. (Fax-capable printers only)	Select Setup > Fax Settings > Check Fax Connection and run check fax connection. Follow the solution provided in the report.

Solving Problems

Error Messages	Solutions
Recovery Mode	<p>The printer has started in recovery mode because the firmware update failed. Follow the steps below to try to update the firmware again.</p> <ol style="list-style-type: none"> 1. Connect the computer and the printer with a USB cable. (During recovery mode, you cannot update the firmware over a network connection.) 2. Visit your local Epson website for further instructions.

* In some print cycles a very small amount of surplus ink may be collected in the ink pad. To prevent ink leakage from the pad, the printer is designed to stop printing when the pad has reached its limit. Whether and how often this is required will vary according to the number of pages you print, the type of material that you print and the number of cleaning cycles that the printer performs. The need for replacement of the pad does not mean that your printer has ceased to operate in accordance with its specifications. The printer will advise you when the pad requires replacing and this can only be performed by an authorised Epson Service provider. The Epson warranty does not cover the cost of this replacement.

Related Information

- ➔ [“Contacting Epson Support” on page 199](#)
- ➔ [“Supported Memory Card Specifications” on page 188](#)
- ➔ [“Supported External Storage Device Specifications” on page 189](#)
- ➔ [“Installing Applications” on page 157](#)
- ➔ [“Updating Applications and Firmware” on page 157](#)

Checking the Printer Status - Windows

1. Access the printer driver window.
2. Click **EPSON Status Monitor 3** on the **Maintenance** tab.


Note:

- You can also check the printer status by double-clicking the printer icon on the taskbar. If the printer icon is not added to the taskbar, click **Monitoring Preferences** on the **Maintenance** tab, and then select **Register the shortcut icon to the taskbar**.
- If **EPSON Status Monitor 3** is disabled, click **Extended Settings** on the **Maintenance** tab, and then select **Enable EPSON Status Monitor 3**.

Related Information

- ➔ [“Windows Printer Driver” on page 145](#)

Checking Printer Status - Mac OS X

1. Select **System Preferences** from the  menu > **Printers & Scanners** (or **Print & Scan, Print & Fax**), and then select the printer.
2. Click **Options & Supplies** > **Utility** > **Open Printer Utility**.
3. Click **EPSON Status Monitor**.

Removing Jammed Paper

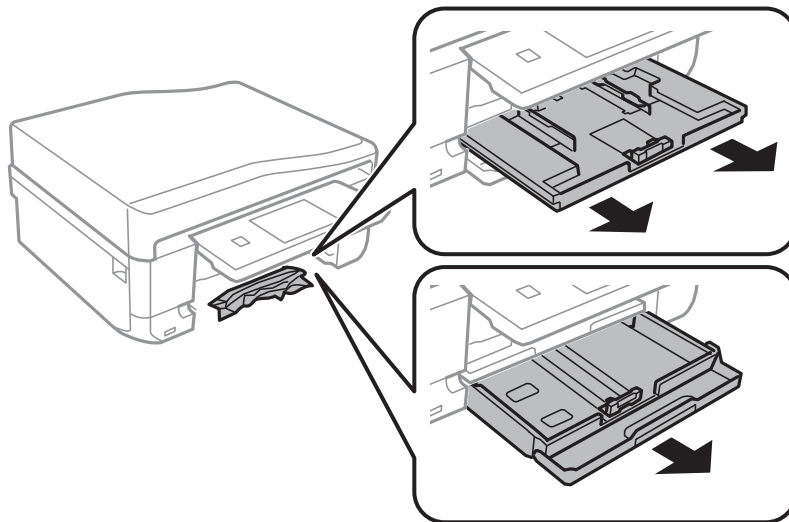
Check the error displayed on the control panel and follow the instructions to remove the jammed paper including any torn pieces. Next, clear the error.

**Important:**

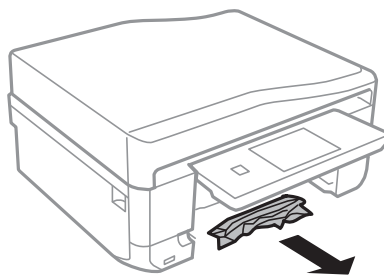
Remove the jammed paper carefully. Removing the paper vigorously may cause damage to the printer.

Removing Jammed Paper from the Paper Cassette

1. Close the output tray.
2. Pull out the paper cassette.

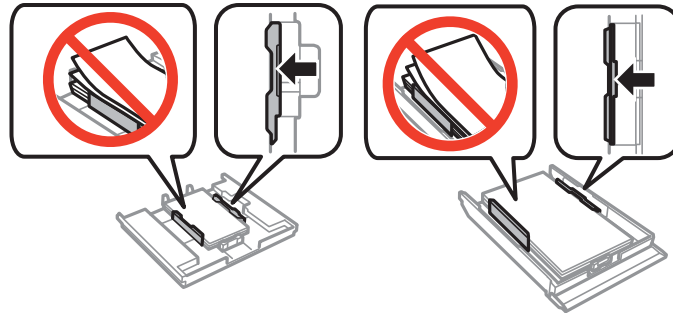


3. Remove the jammed paper.



Solving Problems

- Align the edges of the paper and slide the edge guides to the edges of the paper.



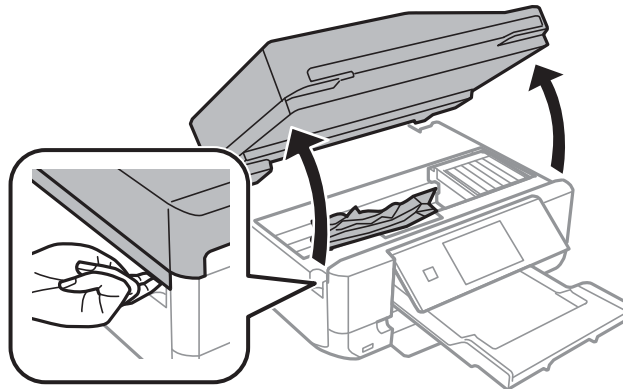
- Insert the paper cassette in the printer.

Removing Jammed Paper from Inside the Printer

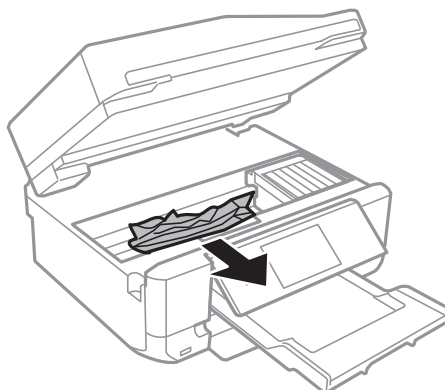
Caution:

- ❑ Be careful not to trap your hand or fingers when opening or closing the scanner unit. Otherwise you may be injured.
- ❑ Never touch the buttons on the control panel while your hand is inside the printer. If the printer starts operating, it could cause an injury. Be careful not to touch the protruding parts to avoid injury.

- Open the scanner unit with the document cover closed.



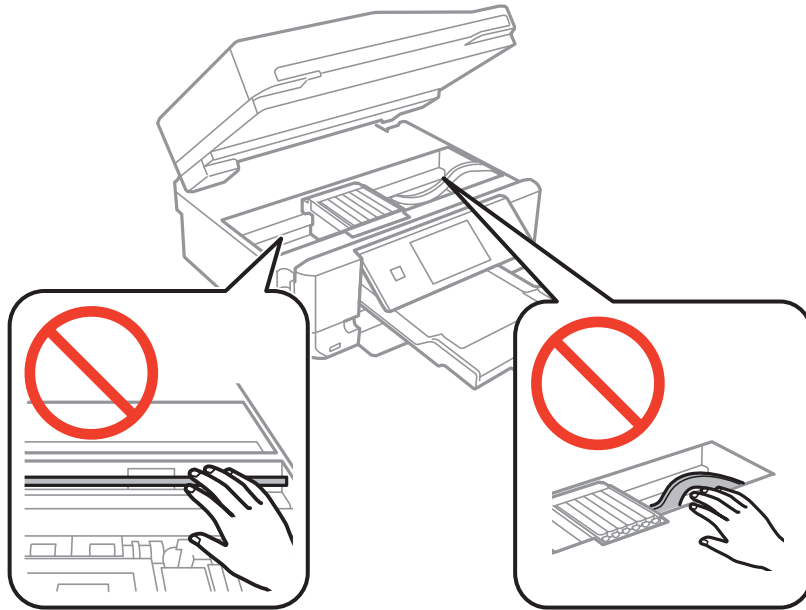
- Remove the jammed paper.



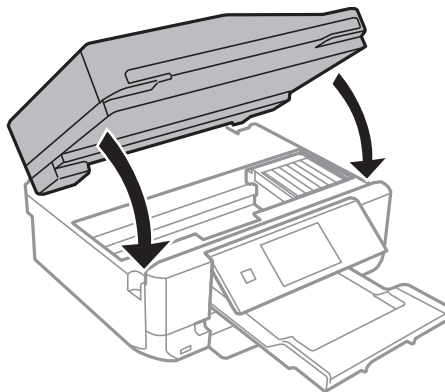
Solving Problems

! *Important:*

Do not touch the white flat cable or translucent part inside the printer. Doing so may cause a malfunction.

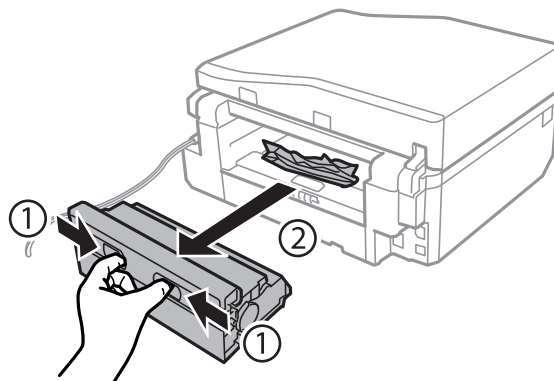


3. Close the scanner unit.



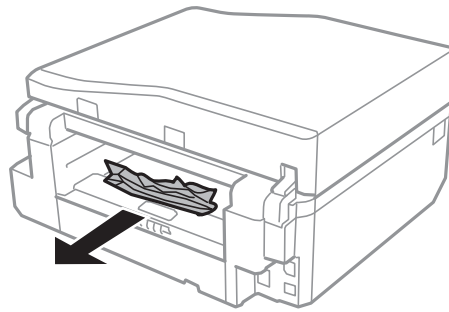
Removing Jammed Paper from the Rear Cover

1. Remove the rear cover.

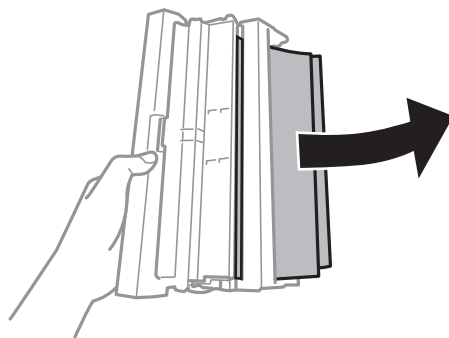


Solving Problems

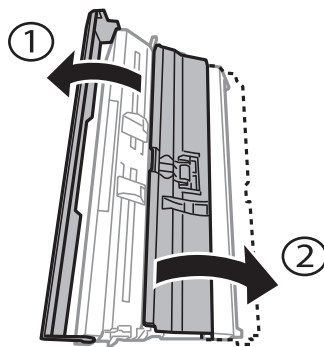
2. Remove the jammed paper.



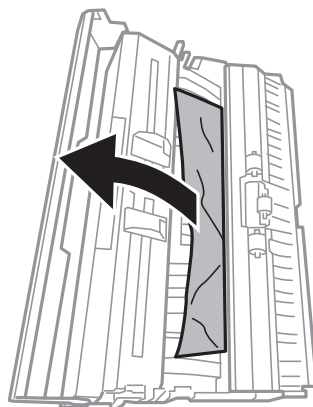
3. Remove jammed paper from the rear cover.



4. Open the cover of the rear cover.

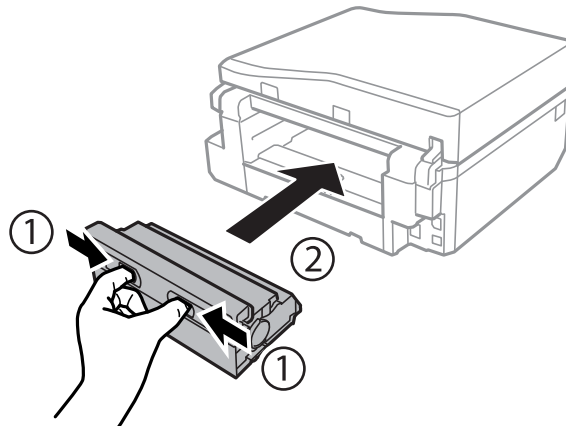


5. Remove the jammed paper.



Solving Problems

6. Close the cover of the rear cover, and then insert the rear cover in the printer.



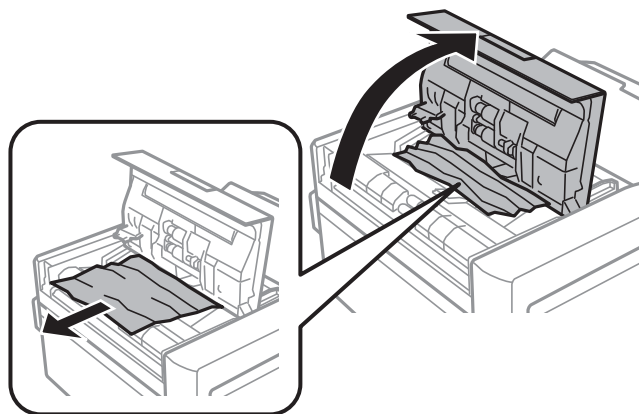
Removing Jammed Paper from the ADF (ADF-equipped Printers Only)



Caution:

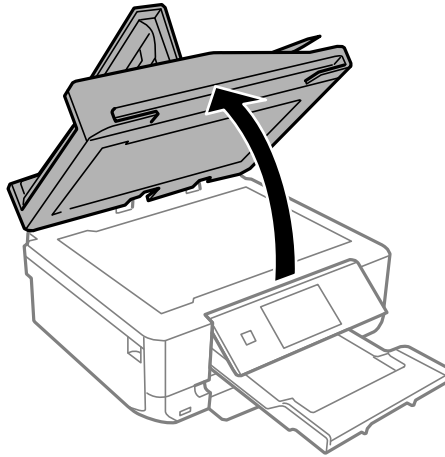
Be careful not to trap your hand or fingers when opening or closing the document cover. Otherwise you may be injured.

1. Open the ADF cover and remove the jammed paper.

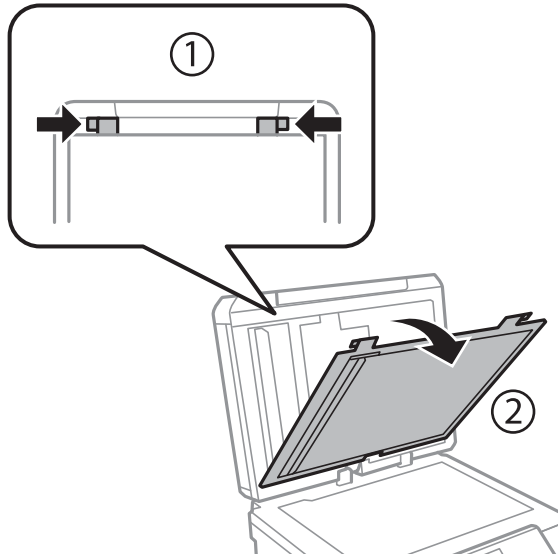


Solving Problems

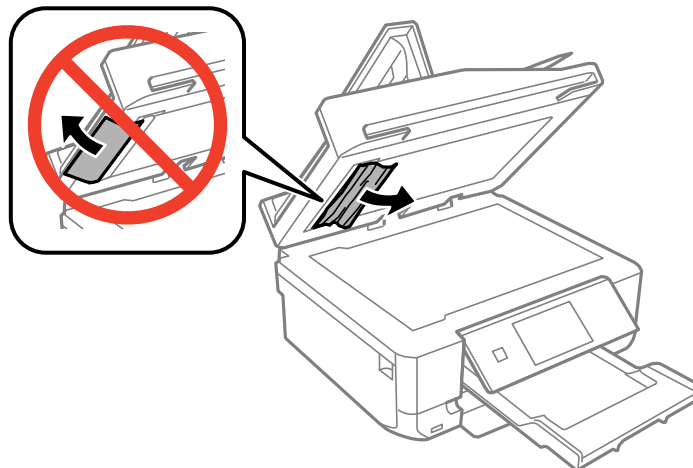
2. Open the document cover.



3. Remove the document mat.



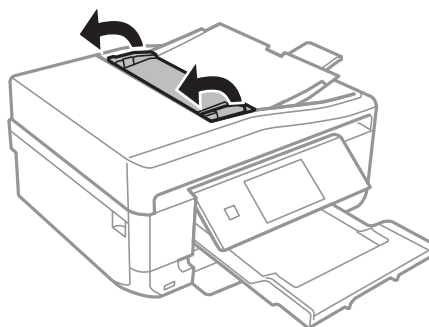
4. Remove the jammed paper.



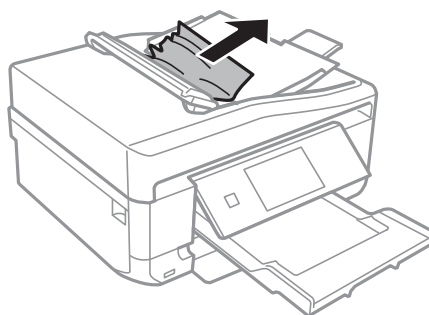
5. Attach the document mat.

Solving Problems

6. Close the document cover, and then close the ADF cover.
7. Open the ADF input tray.



8. Remove the jammed paper.



9. Close the ADF input tray.

Paper Does Not Feed Correctly

Check the following if the paper jams, paper is fed at a slant, several sheets of paper are fed at a time, no paper is fed, or paper is ejected.

- Place the printer on a flat surface and operate in the recommended environmental conditions.
- Use paper supported by this printer.
- Follow the paper handling precautions.
- Load paper in the correct direction, and slide the edge guides against the edges of the paper.
- Do not load more than the maximum number of sheets specified for the paper. For plain paper, do not load above the line indicated by the triangle symbol on the edge guide.
- If the paper is ejected from the rear paper feed slot without being printed, first start your print job, and then load paper in the rear paper feed slot.
- Load one sheet of paper at a time when loading multiple sheets of paper.
- When several sheets of paper are fed at a time during manual 2-sided printing, remove any paper which is loaded in the paper source before you reload the paper.
- Load and eject paper without printing to clean the paper path.
- Make sure the paper size and paper type settings are correct.

Solving Problems

Related Information

- ➔ [“Environmental Specifications” on page 194](#)
- ➔ [“Paper Handling Precautions” on page 38](#)
- ➔ [“Available Paper and Capacities” on page 39](#)
- ➔ [“Loading Paper in the Paper Cassette 1” on page 41](#)
- ➔ [“Loading Paper in the Paper Cassette 2” on page 44](#)
- ➔ [“Loading Paper in the Rear Paper Feed Slot” on page 48](#)
- ➔ [“Cleaning the Paper Path” on page 139](#)

CD/DVD Tray is Ejected

- Make sure the disc is properly set on the tray and reinsert the tray correctly.
- Do not insert the CD/DVD tray until you are instructed to do so. Otherwise, an error occurs and the tray is ejected

Related Information

- ➔ [“Loading a CD/DVD” on page 60](#)

Original Does Not Feed in the ADF (ADF-equipped Printers Only)


- Use originals supported by the ADF.
- Load originals in the correct direction, and slide the edge guides against the edges of the originals.
- Clean the inside of the ADF.
- Do not load originals above the line indicated by the triangle symbol on the edge guide.
- Make sure the ADF icon is displayed on the printer's LCD screen. If not, reload the originals.

Related Information

- ➔ [“Available Originals for the ADF \(ADF-equipped Printers Only\)” on page 54](#)
- ➔ [“Placing Originals on the ADF \(ADF-equipped Printers Only\)” on page 54](#)
- ➔ [“Cleaning the ADF \(ADF-equipped Printers Only\)” on page 140](#)

Power and Control Panel Problems

Power Does Not Turn On

- Hold down the  button for a little longer.
- Make sure the power cord is securely plugged in.



Lights Came On and then Went Out

The printer's voltage may not match the outlet rating. Turn off the printer and unplug it immediately. Then check the label on the printer.

**Caution:**

If the voltage does not match, DO NOT PLUG YOUR PRINTER BACK IN. Contact your dealer.

Power Does Not Turn Off

Hold down the  button for a little longer. If you still cannot turn off the printer, unplug the power cord. To prevent the print head from drying out, turn the printer back on and turn it off by pressing the  button.

Power Turns Off Automatically

Disable the **Auto Power Off** setting on the control panel as described below.

Setup > Printer Setup > Auto Power Off

Your product may or may not have this feature available depending on the production date and the location of purchase.

LCD Screen Gets Dark

The printer is in sleep mode. Press any button on the control panel to return the LCD screen to its former state.

The Auto Power On Feature does not Work (Except for Fax-capable Printers)

- Make sure that the **Auto Power On** setting in **Setup** mode has been enabled.
- Make sure that the printer is properly connected with a USB cable or to a network.

Related Information


➔ [“Setup Mode” on page 32](#)

Printer Does Not Print

Check the following if the printer does not operate or prints nothing.

- Install the printer driver.
- To print a disc label, install Epson Print CD.
- To print photos easily, install Epson Easy Photo Print.
- Connect the interface cable securely to the printer and the computer.
- If you are using a USB hub, try to connect the printer directly to the computer.

Solving Problems

- If you are using the printer over a network, make sure the printer is connected to the network. You can check the status by checking the indicators on the control panel or by printing the network status sheet. If the printer is not connected to the network, see the *Network Guide*.
- If you are printing a large image, the computer may not have enough memory. Print the image at a lower resolution or a smaller size.
- In Windows, click **Print Queue** on the printer driver's **Maintenance** tab, and then check the following.
 - Check if there are any paused print jobs.
Cancel printing if necessary.
 - Make sure the printer is not offline or pending.
If the printer is offline or pending, clear the offline or pending setting from the **Printer** menu.
 - Make sure the printer is selected as the default printer from the **Printer** menu (there should be a check mark on the menu item).
If the printer is not selected as the default printer, set it as the default printer.
- In Mac OS X, make sure the printer status is not **Pause**.
Select **System Preferences** from the  menu > **Printers & Scanners** (or **Print & Scan**, **Print & Fax**), and then double-click the printer. If the printer is **paused**, click **Resume** (or **Resume Printer**).
- Run the nozzle check and then clean the print head if any of the print head nozzles are clogged.
- If you are using the printer through AirPrint, enable **Paper Configuration** in **Setup** mode. If this feature is disabled, you cannot use AirPrint.
- You may not be able to use the printer through AirPrint if the necessary protocols or settings have been disabled. Enable AirPrint using Web Config.

Related Information

- ➔ [“Installing Applications” on page 157](#)
- ➔ [“Epson Easy Photo Print” on page 153](#)
- ➔ [“Epson Print CD” on page 154](#)
- ➔ [“Canceling Printing” on page 95](#)
- ➔ [“Checking and Cleaning the Print Head” on page 136](#)
- ➔ [“Setup Mode” on page 32](#)
- ➔ [“Web Config” on page 144](#)

Printout Problems

Print Quality Is Poor

Check the following if the print quality is poor due to blurry prints, banding, missing colors, faded colors, misalignment, and mosaic-like patterns in the prints.


- Run the nozzle check and then clean the print head if any of the print head nozzles are clogged.
- Align the print head.
- Use paper supported by this printer.
- Do not print on paper that is damp, damaged, or too old.

Solving Problems

- If the paper is curled or the envelope is puffed up, flatten it.
- When printing images or photos, print using high-resolution data. Images on websites are often low resolution although they look good enough on the display, and so print quality may decline.
- Select the appropriate paper type setting on the control panel or in the printer driver for the type of paper loaded in the printer.
- Print using a high quality setting on the control panel or in the printer driver.
- When printing on a disc, adjust the level of density on the control panel or in Epson Print CD.
- When images or photos are printed in unexpected colors, adjust the color and then print again. The automatic color correction feature uses the standard correction mode in **PhotoEnhance**. Try another correction mode in **PhotoEnhance** by selecting an option other than **Auto Correct** (or **Automatic**) as the **Scene Correction** (or **Scene Detection**) setting. If the problem continues, use any other color correction feature other than **PhotoEnhance**.
- Disable the bidirectional (or high speed) setting. When this setting is enabled, the print head prints while moving in both directions, and vertical lines may be misaligned. If you disable this feature, printing may slow down.
 - Control Panel

In the print settings for **Print Photos** mode, disable **Bidirectional**.
 - Windows

Clear **High Speed** on the printer driver's **More Options** tab.
 - Mac OS X

Select **System Preferences** from the  menu > **Printers & Scanners** (or **Print & Scan, Print & Fax**), and then select the printer. Click **Options & Supplies** > **Options** (or **Driver**). Select **Off** as the **High Speed Printing** setting.
- Do not stack the paper immediately after printing.
- Dry the printouts completely before filing or displaying them. When drying the printouts, avoid direct sun light, do not use a dryer, and do not touch the printed side of paper.
- Try to use genuine Epson ink cartridges. This product is designed to adjust colors based on the use of genuine Epson ink cartridges. The use of non-genuine ink cartridges may cause print quality to decline.
- Epson recommends using the ink cartridge before the date printed on the package.
- For best results, use up ink cartridge within six months of opening the package.
- When printing images or photos, Epson recommends using genuine Epson paper rather than plain paper. Print on the printable side of the genuine Epson paper.

Related Information

- ➔ [“Checking and Cleaning the Print Head” on page 136](#)
- ➔ [“Aligning the Print Head” on page 138](#)
- ➔ [“Paper Handling Precautions” on page 38](#)
- ➔ [“Available Paper and Capacities” on page 39](#)
- ➔ [“List of Paper Types” on page 40](#)
- ➔ [“Epson Print CD” on page 154](#)
- ➔ [“Adjusting the Print Color” on page 89](#)
- ➔ [“Print Photos Mode” on page 22](#)

Solving Problems

Copy Quality Is Poor

Check the following if uneven colors, smears, dots, or straight lines appear in the copied image.

- Load and eject paper without printing to clean the paper path.
- Clean the scanner glass and the document cover.
- Clean the roller in the ADF.
- Do not press too hard on the original or the document cover when you are placing the originals on the scanner glass. Uneven colors, smears, or dots may appear when the original or the document cover are pressed too hard.
- If banding appears at intervals of 2.5 cm, align the print head.
- If a moire (cross-hatch) pattern appears, change the reduce and enlarge setting or place the original at a slightly different angle.

Related Information

- ➔ [“Cleaning the Paper Path” on page 139](#)
- ➔ [“Cleaning the Scanner Glass” on page 139](#)
- ➔ [“Cleaning the ADF \(ADF-equipped Printers Only\)” on page 140](#)
- ➔ [“Aligning the Print Head” on page 138](#)
- ➔ [“Print Quality Is Poor” on page 169](#)

An Image of the Reverse Side of the Original Appears in the Copied Image

- For a thin original, place the original on the scanner glass and then place a piece of black paper over it.
- Lower the copy density setting on the control panel.

The Position, Size, or Margins of the Printout Are Incorrect

- Load paper in the correct direction, and slide the edge guides against the edges of the paper.
- When printing on photo stickers, enter **Setup**, select **Printer Setup - Stickers**, and then adjust the printing position.
- When printing on a disc, enter **Setup**, select **Printer Setup - CD/DVD**, and then adjust the printing position.
- When placing the originals on the scanner glass, align the corner of the original with the corner indicated by a symbol on the frame of the scanner glass. If the edges of the copy are cropped off, move the original slightly away from the corner.
- When you place multiple originals on the scanner glass to copy them separately, but they are copied onto a single sheet, place the originals at least 5 mm (0.2 inch) apart. If the problem continues, place one original at a time.
- Clean the scanner glass and the document cover. If there is dust or stains on the glass, the copy area may extend to include the dust or stains, resulting in the wrong printing position or small images.
- Select the appropriate paper size setting on the control panel or in the printer driver.
- Adjust the margin setting in the application so that it falls within the printable area.

Solving Problems

- If you want to print with no margins, make settings for borderless printing.
 - Control Panel

In the print settings for **Print Photos** mode, select **Borderless**. If you select a paper type that does not support borderless printing, you cannot select **Borderless**. Select a paper type that supports borderless printing.
 - Windows

Select **Borderless** on the printer driver's **Main** tab. If you select a paper type that does not support borderless printing, you cannot select this check box. Select a paper type that supports borderless printing.
 - Mac OS X

Select a paper size for borderless printing as the **Paper Size** setting on the printer driver.
- During borderless printing, the image is slightly enlarged and the protruding area is cropped. Adjust the amount of enlargement.
 - Control Panel

In the print settings for **Print Photos** or **Copy** mode, select **Expansion**, and then select the amount of enlargement.
 - Windows

Click **Settings** on the printer driver's **Main** tab, and then select the amount of enlargement.
 - Mac OS X

Select the **Print Settings** menu on the printer driver and select the amount of enlargement on the **Expansion** setting.

Related Information


- ➔ [“Loading Paper in the Paper Cassette 1” on page 41](#)
- ➔ [“Loading Paper in the Paper Cassette 2” on page 44](#)
- ➔ [“Loading Paper in the Rear Paper Feed Slot” on page 48](#)
- ➔ [“Cleaning the Scanner Glass” on page 139](#)
- ➔ [“Printable Area” on page 185](#)
- ➔ [“Available Paper and Capacities” on page 39](#)
- ➔ [“Print Photos Mode” on page 22](#)
- ➔ [“Copy Mode” on page 20](#)

Paper Is Smearred or Scuffed

Check the following if the paper is smeared or scuffed when printing.

- Clean the paper path.
- Clean the scanner glass and the document cover.
- Load paper in the correct direction.
- When performing manual 2-sided printing, make sure that the ink is completely dry before reloading the paper.

Solving Problems

- Enable the scuffing prevention feature. Only enable this feature when a scuffing problem occurs because using it may cause the print quality to decline and print speed to slow down.
 - Control Panel
 - Enter **Setup**, select **Printer Setup**, and then enable the **Thick Paper** setting.
 - Windows
 - Select the **Maintenance** tab on the printer driver, click **Extended Settings**, and then select **Thick Paper and Envelopes**.
 - Mac OS X
 - Select **System Preferences** from the  menu > **Printers & Scanners** (or **Print & Scan, Print & Fax**), and then select the printer. Click **Options & Supplies** > **Options** (or **Driver**). Select **On** as the **Thick paper and envelopes** setting.
- When using the automatic 2-sided printing feature and printing high density data such as images and graphs, set the print density to lower and the drying time to longer.
- When the paper is smeared during copying, lower the copy density setting on the control panel.

Related Information

- ➔ [“Cleaning the Paper Path” on page 139](#)
- ➔ [“Cleaning the Scanner Glass” on page 139](#)
- ➔ [“Loading Paper in the Paper Cassette 1” on page 41](#)
- ➔ [“Loading Paper in the Paper Cassette 2” on page 44](#)
- ➔ [“Loading Paper in the Rear Paper Feed Slot” on page 48](#)
- ➔ [“Printing on 2-Sides” on page 76](#)
- ➔ [“Copy Mode” on page 20](#)
- ➔ [“Print Quality Is Poor” on page 169](#)

Printed Characters Are Incorrect or Garbled

- Connect the interface cable securely to the printer and the computer.
- Cancel any paused print jobs.
- Do not put the computer manually into the **Hibernate** mode or the **Sleep** mode while printing. Pages of garbled text may be printed next time you start the computer.

Related Information

- ➔ [“Canceling Printing” on page 95](#)

The Printed Image Is Inverted

Clear any mirror image settings in the printer driver or the application.

- Windows
 - Clear **Mirror Image** on the printer driver's **More Options** tab.
- Mac OS X
 - Clear **Mirror Image** from the print dialog's **Print Settings** menu.

The Printout Problem Could Not be Cleared



If you have tried all of the solutions and have not solved the problem, try uninstalling and then reinstalling the printer driver.

Related Information

➔ [“Uninstalling Applications” on page 155](#)

➔ [“Installing Applications” on page 157](#)

Printing Is Too Slow

- When printing continuously for approximately more than 10 minutes, printing slows down to prevent the printer mechanism from overheating and being damaged. However, you can continue printing. To return the printer to normal printing speed, cancel printing, and leave the printer idle for at least 30 minutes with the power on. The printer does not recover if the power is off.
- Close any unnecessary applications.
- Lower the quality setting on the control panel or the printer driver. High quality printing slows down the printing speed.
- Enable the bidirectional (or high speed) setting. When this setting is enabled, the print head prints while moving in both directions, and the printing speed increases.
 - Windows
Select **High Speed** on the printer driver's **More Options** tab.
 - Mac OS X
Select **System Preferences** from the  menu > **Printers & Scanners** (or **Print & Scan, Print & Fax**), and then select the printer. Click **Options & Supplies** > **Options** (or **Driver**). Select **On** as the **High Speed Printing** setting.
- Disable quiet mode. This feature slows down the printing speed.
 - Control Panel
From the home screen, select **Quiet Mode**, and then disable it.
 - Windows
Disable the **Quiet Mode** setting on the printer driver's **Main** tab.
 - Mac OS X
Select **System Preferences** from the  menu > **Printers & Scanners** (or **Print & Scan, Print & Fax**), and then select the printer. Click **Options & Supplies** > **Options** (or **Driver**). Select **Off** as the **Quiet Mode** setting.

Cannot Start Scanning

- If you are scanning with the ADF, check that the document cover and ADF cover are closed. (ADF-equipped printers only)
- When you scan from the ADF using EPSON Scan, use **Office Mode** or **Professional Mode**.
- Connect the interface cable securely to the printer and the computer.

Solving Problems

- If you are using a USB hub, try to connect the printer directly to the computer.
- If you are using the printer over a network, make sure the printer is connected to the network. You can check the status by checking the indicators on the control panel or by printing the network status sheet. If the printer is not connected to the network, see the *Network Guide*.
- Make sure you select the correct printer (scanner) if a scanner list is displayed when you start EPSON Scan.
- If you are using any TWAIN-compliant applications, select the printer (scanner) you are using.
- In Windows, make sure the printer (scanner) is displayed in **Scanner and Camera**. The printer (scanner) should be displayed as "EPSON XXXXX (printer name)". If the printer (scanner) is not displayed, uninstall and then re-install EPSON Scan. See the following to access **Scanner and Camera**.
 - Windows 8.1/Windows 8
Select **Desktop > Settings > Control Panel**, enter "Scanner and Camera" in the search charm, click **Show Scanner and Camera**, and then check if the printer is displayed.
 - Windows 7
Click the start button and select **Control Panel**, enter "Scanner and Camera" in the search charm, click **View scanners and cameras**, and then check if the printer is displayed.
 - Windows Vista
Click the start button, select **Control Panel > Hardware and Sound > Scanners and Cameras**, and then check if the printer is displayed.
 - Windows XP
Click the start button, select **Control Panel > Printers and Other Hardware > Scanner and Cameras**, and then check if the printer is displayed.
- If you cannot scan using any TWAIN-compliant applications, uninstall and then reinstall the TWAIN compliant application.
- For Mac OS X with an Intel processor, if other Epson scanner drivers except for EPSON Scan, such as Rosetta or PPC are installed, uninstall them and EPSON Scan, and then reinstall EPSON Scan.

Related Information

- ➔ ["Uninstalling Applications" on page 155](#)
- ➔ ["Installing Applications" on page 157](#)

Cannot Start Scanning when Using the Control Panel

- Make sure EPSON Scan and Epson Event Manager are installed correctly.
- Check the scanning setting assigned in Epson Event Manager.

Related Information

- ➔ ["Cannot Start Scanning" on page 174](#)

Scanned Image Problems

Scan Quality Is Poor

- Clean the scanner glass and the document cover.

Solving Problems

- Clean the roller in the ADF (ADF-equipped printers only).
- Do not press too hard on the original or the document cover when you are placing the originals on the scanner glass. Uneven colors, smears, or dots may appear when the original or the document cover are pressed too hard.
- Remove dust from the original.
- Make the appropriate document type settings on the control panel.
- Scan at a higher resolution.
- Adjust the image in EPSON Scan, and then scan. See the EPSON Scan help for details.

Related Information

- ➔ [“Cleaning the Scanner Glass” on page 139](#)
- ➔ [“Cleaning the ADF \(ADF-equipped Printers Only\)” on page 140](#)
- ➔ [“Scan Mode” on page 23](#)

Characters Are Blurred

- In **Home Mode** or **Office Mode** in EPSON Scan, select **Image Option** from the **Image Adjustments** setting, and then select **Text Enhancement**.
- In **Professional Mode** in EPSON Scan, select **Document** as the **Auto Exposure Type** in the **Original** settings.
- Adjust the threshold settings in EPSON Scan.
 - Home Mode**
Select **Black & White** as the **Image Type** setting, click **Brightness**, and then adjust the threshold.
 - Office Mode** or **Professional Mode**
Select **Black & White** as the **Image Type** setting, and then adjust the threshold.
- Scan at a higher resolution.

An Image of the Reverse Side of the Original Appears in the Scanned Image

- For a thin original, place the original on the scanner glass and then place a piece of black paper over it.
- Make the appropriate document type settings on the control panel or in EPSON Scan.
- In **Home Mode** or **Office Mode** in EPSON Scan, select **Image Option** from the **Image Adjustments** setting, and then select **Text Enhancement**.

Related Information

- ➔ [“Scan Mode” on page 23](#)

Moire (Cross-Hatch) Patterns Appear in the Scanned Image

- Place the original at a slightly different angle.
- Select **Descreening** in any mode other than **Full Auto Mode** in EPSON Scan.
- Change the resolution setting on the control panel or in EPSON Scan.

Solving Problems

Related Information

➔ [“Scan Mode” on page 23](#)

Scanning Area or Direction Is Not Correct

- ❑ When placing the originals on the scanner glass, align the corner of the original with the corner indicated by a symbol on the frame of the scanner glass. If the edges of the scanned image are cropped off, move the original slightly away from the corner.
- ❑ Clean the scanner glass and the document cover. If there is dust or stains on the glass, the scanning area may extend to include the dust or stains, resulting in the wrong scanning position or small images.
- ❑ When you place multiple originals on the scanner glass to scan them separately, but they are scanned onto a single file, place the originals at least 20 mm (0.8 inch) apart. If the problem continues, place one original at a time.
- ❑ When scanning from the control panel, set the scan area correctly.
- ❑ When scanning using **Full Auto Mode** or the thumbnail preview in EPSON Scan, move the original 4.5 mm (0.18 inch) away from the edges of the scanner glass.
- ❑ When using the thumbnail preview for a large original in **Home Mode** or **Professional Mode** in EPSON Scan, the scanning area may not be correct. When previewing in EPSON Scan, create marquees of the area you want to scan on the **Preview** tab in the **Preview** window.
- ❑ If **Auto Photo Orientation** in EPSON Scan does not work as intended, see the EPSON Scan help.
- ❑ Clear **Auto Photo Orientation** in EPSON Scan.
- ❑ When scanning with EPSON Scan the available scanning area may be restricted if the resolution setting is too high. Lower the resolution or adjust the scanning area in the **Preview** window.

Related Information

- ➔ [“Placing Originals on the Scanner Glass” on page 52](#)
- ➔ [“Cleaning the Scanner Glass” on page 139](#)
- ➔ [“Cleaning the ADF \(ADF-equipped Printers Only\)” on page 140](#)
- ➔ [“Scan Mode” on page 23](#)

The Scanned Image Problem Could Not be Cleared

If you have tried all of the solutions and could not solve the problem, click **Configuration** in a mode other than **Full Auto Mode** in the EPSON Scan window, and then click **Reset All** on the **Other** tab to initialize the EPSON Scan settings. If initialization does not solve the problem uninstall and re-install EPSON Scan.

Related Information

- ➔ [“Uninstalling Applications” on page 155](#)
- ➔ [“Installing Applications” on page 157](#)

Other Scanning Problems

Cannot Scan in Full Auto Mode in EPSON Scan

- You cannot scan to PDF/Multi-TIFF format continuously in **Full Auto Mode**. Scan in a mode other than **Full Auto Mode**.
- See the EPSON Scan help for other way of solving problems.

Thumbnail Preview Does Not Work Properly

See the EPSON Scan help.

Scanning Is Too Slow

- Lower the resolution.
- Disable quiet mode.
 - Control Panel
From the home screen, select **Quiet Mode**, and then disable it.
 - EPSON Scan
Click **Configuration**, and then disable **Quiet Mode** on the **Other** tab.

Related Information

➔ [“Scan Mode” on page 23](#)

Scanning Stops when Scanning to PDF/Multi-TIFF

- When scanning large volumes, we recommend scanning in grayscale.
- Increase the free space on the computer's hard disk. Scanning may stop if there is not enough free space.
- Try scanning at a lower resolution. Scanning stops if the total data size reaches the limit.

Related Information



➔ [“Scan Mode” on page 23](#)

Problems when Sending and Receiving Faxes

Cannot Send or Receive Faxes

- Use **Check Fax Connection** on the control panel to run the automatic fax connection check. Try the solutions printed on the report.
- Check the **Line Type** setting. Setting this to **PBX** may solve the problem. If your phone system requires an external access code to get an outside line, register the access code to the printer, and enter # (hash) at the beginning of a fax number when sending.

Solving Problems

- ❑ If a communication error occurs, change the **Fax Speed** setting to **Slow(9,600bps)** on the control panel.
- ❑ Check that the telephone wall jack works by connecting a phone to it and testing it. If you cannot make or receive calls, contact your telecommunication company.
- ❑ To connect to a DSL phone line, you need to use a DSL modem equipped with a built-in DSL filter, or install a separate DSL filter to the line. Contact your DSL provider.
- ❑ If you are connecting to a DSL phone line, connect the printer directly to a telephone wall jack to see if the printer can send a fax. If it works, the problem may be caused by the DSL filter. Contact your DSL provider.
- ❑ Enable the **ECM** setting on the control panel. Color faxes cannot be sent or received when ECM is off.
- ❑ To send or receive faxes using the computer, make sure that the printer is connected using a USB cable or to a network, and that the printer driver and the PC-FAX Driver have been installed on the computer. The PC-FAX Driver is installed together with the FAX Utility.
- ❑ In Windows, make sure the printer (fax) is displayed in **Devices and Printers**, **Printer**, or **Printers and Other Hardware**. The printer (fax) is displayed as "EPSON XXXXX (FAX)". If the printer (fax) is not displayed, uninstall and then re-install the FAX Utility. See the following to access **Devices and Printers**, **Printer**, or **Printers and Other Hardware**.
 - ❑ Windows 8.1/Windows 8
Select **Desktop > Settings > Control Panel > View devices and printers in Hardware and Sound or Hardware**.
 - ❑ Windows 7
Click the start button, and then select **Control Panel > View devices and printers in Hardware and Sound or Hardware**.
 - ❑ Windows Vista
Click the start button, and select **Control Panel > Printers in Hardware and Sound**.
 - ❑ Windows XP
Click the start button, and select **Control Panel > Printers and Other Hardware > Printers and Faxes**.
- ❑ In Mac OS X, check the following.
 - ❑ Select **System Preferences** from the  menu > **Printers & Scanners** (or **Print & Scan, Print & Fax**), and then select the printer (fax) displayed. The printer (fax) is displayed as "FAX XXXX (USB)" or "FAX XXXX (IP)". If the printer (fax) is not displayed, click + and then register the printer (fax).
 - ❑ Select **System Preferences** from the  menu, select **Printers & Scanners** (or **Print & Scan, Print & Fax**), and then double-click the printer (fax). If the printer is paused, click **Resume** (or **Resume Printer**).

Related Information

- ➔ [“Checking Whether you can use the Fax” on page 111](#)
- ➔ [“Setting the Line Type” on page 112](#)
- ➔ [“Fax Settings \(Fax-capable printers only\)” on page 35](#)
- ➔ [“Uninstalling Applications” on page 155](#)
- ➔ [“Installing Applications” on page 157](#)

Cannot Send Faxes

- ❑ Set up the header information for outgoing faxes on the control panel. Some fax machines automatically reject incoming faxes that do not include header information.

Solving Problems


- If you have blocked your caller ID, unblock it. Some phones or fax machines automatically reject anonymous calls.
- Ask the recipient if the fax number is correct and the recipient's fax machine is ready to receive a fax.

Related Information

- ➔ [“Setting the Fax Header” on page 112](#)
- ➔ [“Cannot Send or Receive Faxes” on page 178](#)

Cannot Send Faxes to a Specific Recipient

Check the following if you cannot send faxes to a specific recipient due to an error.

- If the recipient's device does not pick up your call within 50 seconds after the printer has finished dialing, the call ends with an error. Dial using a connected telephone to check how long it takes before you hear a fax tone. If it takes more than 50 seconds, add pauses after the fax number to send the fax. Press  to enter a pause. A hyphen is entered as the pause mark. One pause is about three seconds. Add multiple pauses as needed.
- If you have selected the recipient from the contacts list, check that the registered information is correct. If the information is correct, select the recipient from the contacts list, press **Options** and change the **Fax Speed** to **Slow(9,600bps)**.

Related Information

- ➔ [“Sending Faxes when Dialing from an External Phone Device” on page 116](#)
- ➔ [“Registering Recipients of Faxes to a Contact List” on page 113](#)
- ➔ [“Cannot Send or Receive Faxes” on page 178](#)

Cannot Send Faxes at a Specified Time

Set the date and the time correctly on the control panel.

Related Information

- ➔ [“Setup Mode” on page 32](#)
- ➔ [“Sending Faxes at a Specified Time” on page 116](#)

Cannot Receive Faxes

- Check your inbox for any unread faxes. The printer cannot receive faxes if the inbox is full. Open, print, or delete the unread documents.
- If you have subscribed to a call forwarding service, the printer may not be able to receive faxes. Contact your service provider.
- If you have not connected a telephone to the printer, enable the **Auto Answer** setting on the control panel.

Related Information

- ➔ [“Checking Received Faxes on the LCD Screen” on page 121](#)
- ➔ [“Setting Receiving Mode” on page 112](#)
- ➔ [“Setting Rings to Answer” on page 113](#)

Solving Problems

- ➔ [“Cannot Send or Receive Faxes” on page 178](#)

Memory Full Error Occurs

- If the printer has been set to save received faxes in the inbox, delete faxes you have already read from the inbox.
- If the printer has been set to save received faxes on a computer, turn on the computer that is set to save the faxes. Once the faxes are saved in the computer, they are deleted from the printer's memory.
- If the printer has been set to save received faxes on a memory device, connect the device, in which you have created a folder to save faxes, to the printer. Once the faxes are saved in the device, they are deleted from the printer's memory. Make sure that the device has enough available memory and is not write protected.
- Even though the memory is full, you can send a monochrome fax by using the **Direct Send** feature. Or divide your originals into two or more to send them in several batches.
- If the printer cannot print a received fax due to a printer error, such as a paper jam, the memory full error may occur. Clear the printer problem, and then contact the sender and ask them to send the fax again.

Related Information

- ➔ [“Checking Received Faxes on the LCD Screen” on page 121](#)
- ➔ [“Saving Received Faxes” on page 120](#)
- ➔ [“Fax Mode \(Fax-capable printers only\)” on page 24](#)

Sent Fax Quality Is Poor

- Clean the scanner glass and the document cover.
- Clean the roller in the ADF.
- Change the **Resolution** setting on the control panel. If your originals contain both text and photos, select **Photo**.
- Change the **Contrast** setting on the control panel.
- Enable the **ECM** setting on the control panel.

Related Information

- ➔ [“Cleaning the Scanner Glass” on page 139](#)
- ➔ [“Cleaning the ADF \(ADF-equipped Printers Only\)” on page 140](#)
- ➔ [“Fax Mode \(Fax-capable printers only\)” on page 24](#)
- ➔ [“Fax Settings \(Fax-capable printers only\)” on page 35](#)

Faxes Are Sent at the Wrong Size

- When sending a fax using the scanner glass, place the original correctly aligning its corner with the origin mark.
- Clean the scanner glass and the document cover. If there is dust or stains on the glass, the scanning area may extend to include the dust or stains, resulting in the wrong scanning position or small images.

Related Information

- ➔ [“Placing Originals on the Scanner Glass” on page 52](#)

Solving Problems

➔ [“Cleaning the Scanner Glass” on page 139](#)

Received Fax Quality Is Poor

- Enable the ECM setting on the control panel.
- Contact the sender and ask them to send at a higher quality mode.
- Reprint the received fax.

Related Information

- ➔ [“Fax Settings \(Fax-capable printers only\)” on page 35](#)
- ➔ [“Reprinting Received Faxes” on page 122](#)

Received Faxes Are Not Printed

- If an error has occurred on the printer, such as a paper jam, the printer cannot print received faxes. Check the printer.
- If the printer has been set to save received faxes in the inbox, the received faxes are not automatically printed. Check the **Fax Output** setting.

Related Information

- ➔ [“Checking the Printer Status” on page 158](#)
- ➔ [“Removing Jammed Paper” on page 160](#)
- ➔ [“Saving Received Faxes” on page 120](#)

Other Faxing Problems

Cannot Make Calls on the Connected Telephone

Connect the telephone to the EXT. port on the printer, and pick up the receiver. If you cannot hear a dial tone through the receiver, connect the phone cable correctly.

Related Information

- ➔ [“Connecting Your Phone Device to the Printer” on page 110](#)

Answering Machine Cannot Answer Voice Calls

On the control panel, set the printer's **Rings to Answer** setting to a number higher than the number of rings for your answering machine.

Related Information

- ➔ [“Setting Rings to Answer” on page 113](#)

Sender's Fax Number Not Displayed on Received Faxes or the Number Is Wrong

The sender may not have set the fax header information or may have set it incorrectly. Contact the sender.

Other Problems

Slight Electric Shock when Touching the Printer

If many peripherals are connected to the computer, you may feel a slight electric shock when touching the printer. Install a ground wire to the computer that is connected to the printer.

Operation Sounds Are Loud

If operations sounds are too loud, enable quiet mode. However, this may slow down printer operations.


Control Panel

From the home screen, select **Quiet Mode**, and then enable it.

Windows

Enable **Quiet Mode** on the **Main** tab in the printer driver.

Mac OS X

Select **System Preferences** from the  menu > **Printers & Scanners** (or **Print & Scan, Print & Fax**), and then select the printer. Click **Options & Supplies** > **Options** (or **Driver**). Select **On** as the **Quiet Mode** setting.

EPSON Scan

Select a mode other than **Full Auto Mode**, click **Configuration**, and then set **Quiet Mode** on the **Other** tab.

The Date and Time Are Incorrect

Set the date and the time correctly on the control panel. After a power failure caused by a lightning strike or if the power is left off for a long time, the clock may show the wrong time.

Related Information

➔ [“Setup Mode” on page 32](#)

Cannot Save the Data to a Memory Card

Use a memory card which is supported by the printer.

Check that the memory card is not write protected.

Check that the memory card has enough available memory. If the available memory is low, data cannot be saved.

For fax-capable printers, if you have set to save received faxes on a memory device, connect the device to the printer, and then run **Create Folder to Save** from the **Fax Output** setting to create a folder in which to save received faxes. If you do not create a folder, you cannot use the memory device.

Solving Problems

Related Information

- ➔ [“Supported Memory Card Specifications” on page 188](#)
- ➔ [“Saving Received Faxes” on page 120](#)

Application Is Blocked by a Firewall (for Windows Only)

Add the application to the Windows Firewall allowed program in security settings on the **Control Panel**.

"?" Is Displayed on the Photo Selection Screen

"?" is displayed on the LCD screen when the image file is not supported by the product.

Related Information

- ➔ [“Supported Data Specifications” on page 189](#)

Appendix

Technical Specifications

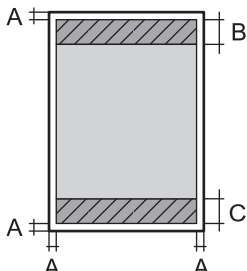
Printer Specifications

Print Head Nozzle Placement		XP-720 Series/XP-820 Series Black ink nozzles: 180 x 2 rows Photo black ink nozzles: 180 Color ink nozzles: 180 for each color XP-760 Series/XP-860 Series Black ink nozzles: 180 Color ink nozzles: 180 for each color
Weight of Paper	Plain Paper	64 to 90 g/m ² (17 to 24lb)
	Envelopes	Envelope #10, DL, C6: 75 to 90 g/m ² (20 to 24 lb)

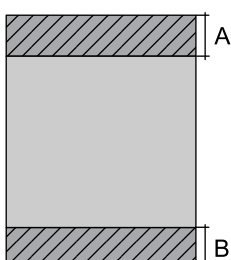
Printable Area

Print quality may decline in the shaded areas due to the printer's mechanism.

Single sheets (normal printing)

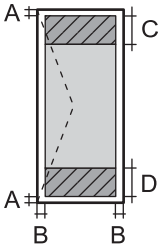
	A	3.0 mm (0.12 in.)
	B	41.0 mm (1.61 in.)
	C	37.0 mm (1.46 in.)

Single sheets (borderless printing)

	A	44.0 mm (1.73 in.)
	B	40.0 mm (1.57 in.)

Appendix

Envelopes

	A	3.0 mm (0.12 in.)
	B	5.0 mm (0.20 in.)
	C	18.0 mm (0.71 in.)
	D	41.0 mm (1.61 in.)

Scanner Specifications

Scanner Type	Flatbed
Photoelectric Device	CIS
Maximum Document Size	216×297 mm (8.5×11.7 in.) A4, Letter
Resolution	XP-720 Series/XP-760 Series 2400 dpi (main scan) 4800 dpi (sub scan) XP-820 Series/XP-860 Series 4800 dpi (main scan) 4800dpi (sub scan)
Color Depth	Color <input type="checkbox"/> 48 bits per pixel internal (16 bits per pixel per color internal) <input type="checkbox"/> 24 bits per pixel external (8 bits per pixel per color external) Grayscale <input type="checkbox"/> 16 bits per pixel internal <input type="checkbox"/> 8 bits per pixel external Black and white <input type="checkbox"/> 16 bits per pixel internal <input type="checkbox"/> 1 bits per pixel external
Light Source	LED

Interface Specifications

For Computer	Hi-Speed USB
For External USB Devices and PictBridge	Hi-Speed USB

Appendix

Fax Specifications (Fax-capable Printers Only)

Fax Type	Walk-up black and white and color fax capability (ITU-T Super Group 3)
Supported Lines	Standard analogue telephone lines, PBX (Private Branch Exchange) telephone systems
Speed	Up to 33.6 kbps
Resolution	Monochrome <input type="checkbox"/> Standard: 8 pel/mm×3.85 line/mm (203 pel/in.×98 line/in.) <input type="checkbox"/> Fine: 8 pel/mm×7.7 line/mm (203 pel/in.×196 line/in.) <input type="checkbox"/> Photo: 8 pel/mm×7.7 line/mm (203 pel/in.×196 line/in.) Color <input type="checkbox"/> Fine: 200×200 dpi <input type="checkbox"/> Photo: 200×200 dpi
Page Memory	Up to 180 pages (when received ITU-T No.1 chart in monochrome draft mode)
Redial*	2 times (with 1 minute intervals)
Interface	RJ-11 Phone Line, RJ-11 Telephone set connection

* The specifications may differ by country or region.

Wi-Fi Specifications

Standards	IEEE802.11b/g/n
Frequency Range	2.4 GHz
Maximum Radio-Frequency Power Transmitted	17 dBm (EIRP)
Coordination Modes	Infrastructure, Ad hoc* ¹ , Wi-Fi Direct* ² ³
Wireless Securities	WEP (64/128bit), WPA2-PSK (AES)* ⁴

*1 Not supported for IEEE 802.11n.

*2 Not supported for IEEE 802.11b.

*3 Simple AP mode is compatible with Wi-Fi connection (infrastructure). For Ethernet-compatible printers, it is also compatible with Ethernet connections. See the *Network Guide* for more details.

*4 Complies with WPA2 standards with support for WPA/WPA2 Personal.

Ethernet Specifications (Ethernet-compatible printers only)

Standards	IEEE802.3i (10BASE-T)* ¹ IEEE802.3u (100BASE-TX) IEEE802.3az (Energy Efficient Ethernet)* ²
-----------	---

Appendix

Communication Mode	Auto, 10Mbps Full duplex, 10Mbps Half duplex, 100Mbps Full duplex, 100Mbps Half duplex
Connector	RJ-45

*1 Use a category 5e or higher STP (Shielded twisted pair) cable to prevent risk of radio interference.

*2 The connected device should comply with IEEE802.3az standards.

Security Protocol

SSL/TLS	HTTPS Server/Client, IPPS
---------	---------------------------

Supported Third Party Services

AirPrint	Print	iOS 5 or later/Mac OS X v10.7.x or later
	Scan	Mac OS X v10.9.x or later
	Fax*	Mac OS X v10.9.x or later
Google Cloud Print		

* Fax-capable printers only

External Storage Device Specifications

Supported Memory Card Specifications

Compatible Memory Cards	Maximum Capacities
miniSD*	2 GB
miniSDHC*	32 GB
microSD*	2 GB
microSDHC*	32 GB
microSDXC*	64 GB
SD	2 GB
SDHC	32 GB
SDXC	64 GB

* Attach an adapter to fit the memory card slot. Otherwise, the card may get stuck.

Supported memory card voltages

3.3 V type, dual voltage (3.3 V and 5V) type (supply voltage: 3.3 V)

Appendix

5 V memory cards are not supported.

Maximum supply current: 200 mA

Supported External Storage Device Specifications

Compatible External Storage Devices	Maximum Capacities
CD-R Drive *1 DVD-R Drive *1 Blu-ray Drive *1	CD-ROM *2/CD-R: 700 MB DVD-ROM *2/DVD-R: 4.7 GB (CD-RW, DVD+R, DVD±RW, DVD-RAM, and Blu-ray Disc™ are not supported.)
MO Drive *1	1.3 GB
HDD *1 USB Flash Drive	2 TB (formatted in FAT, FAT32, or exFAT)

*1 We do not recommend using external USB devices that are powered by USB. Use only external USB devices with independent AC power sources.

*2 Read only.

You cannot use the following devices:

- A device that requires a dedicated driver
- A device with security settings (password, encryption, and so on)
- A device with a built-in USB hub

Epson cannot guarantee operations for all externally connected devices.

Supported Data Specifications

File Format	JPEG with the Exif Version 2.3 standard taken by digital cameras DCF*1 version 1.0 or 2.0*2 compliant
Image Size	Horizontal: 80 to 10200 pixels Vertical: 80 to 10200 pixels
File Size	Up to 2 GB
Maximum Number of Files	9990*3

*1 Design rule for Camera File system.

*2 Photo data stored in the built-in memory of a digital camera is not supported.

*3 Up to 999 files can be displayed at a time. (If the number of files exceeds 999, the files are displayed in groups.)

Note:

"?" is displayed on the LCD screen when the printer cannot recognize the image file. In this situation, if you select a multiple image layout, blank sections will be printed.

Appendix

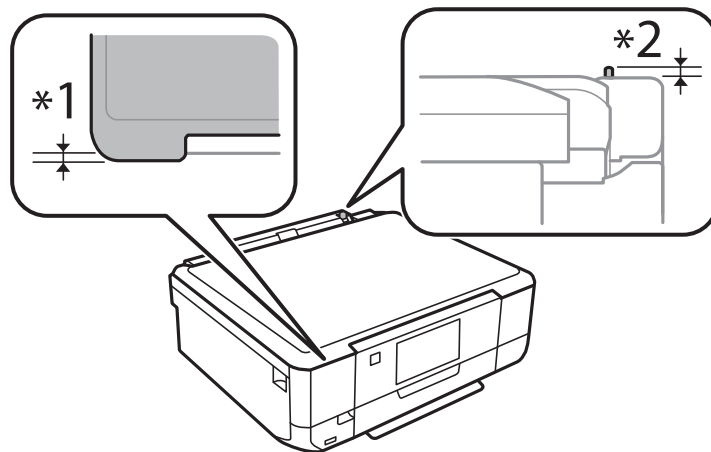
Dimensions

XP-720 Series

<p>Dimensions</p>	<p>Storage (Without protruding parts)</p> <ul style="list-style-type: none"> ❑ Width: 390 mm (15.4 in.) ❑ Depth: 339 mm (13.3 in.) ❑ Height: 138 mm (5.4 in.) <p>Storage (Including protruding parts^{*1*2})</p> <ul style="list-style-type: none"> ❑ Width: 390 mm (15.4 inches) ❑ Depth: 341 mm (13.4 inches) ❑ Height: 141 mm (5.6 inches) <p>Printing</p> <ul style="list-style-type: none"> ❑ Width: 390 mm (15.4 in.) ❑ Depth: 598 mm (23.5 in.) ❑ Height: 196 mm (7.7 in.)
<p>Weight^{*3}</p>	<p>Approx. 6.9 kg (15.2 lb)</p>

*1 *2 See the following illustration for details.

*3 Without the ink cartridges, power cord, and the CD/DVD tray.



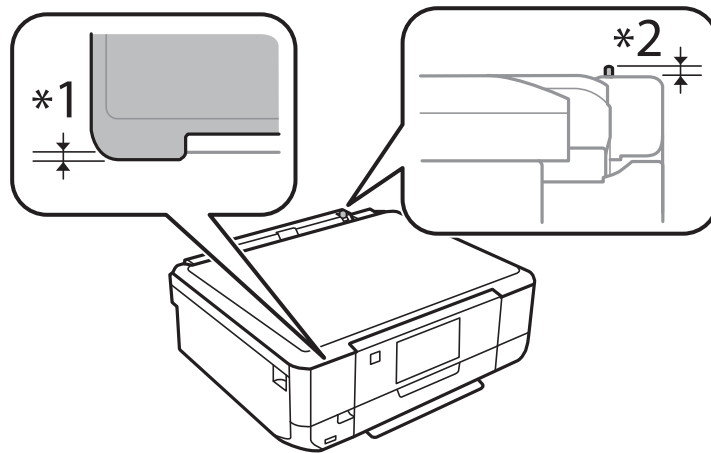
Appendix

XP-760 Series

<p>Dimensions</p>	<p>Storage (Without protruding parts)</p> <ul style="list-style-type: none"> ❑ Width: 390 mm (15.4 in.) ❑ Depth: 339 mm (13.3 in.) ❑ Height: 138 mm (5.4 in.) <p>Storage (Including protruding parts^{*1*2})</p> <ul style="list-style-type: none"> ❑ Width: 390 mm (15.4 inches) ❑ Depth: 341 mm (13.4 inches) ❑ Height: 141 mm (5.6 inches) <p>Printing</p> <ul style="list-style-type: none"> ❑ Width: 390 mm (15.4 in.) ❑ Depth: 598 mm (23.5 in.) ❑ Height: 196 mm (7.7 in.)
<p>Weight^{*3}</p>	<p>Approx. 6.9 kg (15.2 lb)</p>

*1 *2 See the following illustration for details.

*3 Without the ink cartridges, power cord, and the CD/DVD tray.



XP-820 Series

<p>Dimensions</p>	<p>Storage</p> <ul style="list-style-type: none"> ❑ Width: 390 mm (15.4 in.) ❑ Depth: 339 mm (13.3 in.) ❑ Height: 191 mm (7.5in.) <p>Printing</p> <ul style="list-style-type: none"> ❑ Width: 438 mm (17.2 in.) ❑ Depth: 598 mm (23.5 in.) ❑ Height: 207 mm (8.1 in.)
<p>Weight[*]</p>	<p>Approx. 8.2 kg (18.1 lb)</p>

Appendix

* Without the ink cartridges, power cord, and the CD/DVD tray.

XP-860 Series

Dimensions	<p>Storage</p> <ul style="list-style-type: none"> <input type="checkbox"/> Width: 390 mm (15.4 in.) <input type="checkbox"/> Depth: 339 mm (13.3 in.) <input type="checkbox"/> Height: 191 mm (7.5in.) <p>Printing</p> <ul style="list-style-type: none"> <input type="checkbox"/> Width: 438 mm (17.2 in.) <input type="checkbox"/> Depth: 598 mm (23.5 in.) <input type="checkbox"/> Height: 207 mm (8.1 in.)
Weight*	Approx. 8.3kg (18.3 lb)

* Without the ink cartridges, power cord, and the CD/DVD tray.

Electrical Specifications

XP-720 Series

Model	100 to 120 V Model	220 to 240 V Model
Rated Frequency Range	50 to 60 Hz	50 to 60 Hz
Rated Current	0.7 A	0.35 A
Power Consumption (with USB Connection)	<p>Standalone copying: Approx. 19 W (ISO/IEC24712)</p> <p>Ready mode: Approx. 6.3 W</p> <p>Sleep mode: Approx. 1.2 W</p> <p>Power off: Approx. 0.2 W</p>	<p>Standalone copying: Approx. 19 W (ISO/IEC24712)</p> <p>Ready mode: Approx. 6.3 W</p> <p>Sleep mode: Approx. 1.2 W</p> <p>Power off: Approx. 0.4 W</p>

Note:

- Check the label on the printer for its voltage.
- For European users, see the following Website for details on power consumption.

<http://www.epson.eu/energy-consumption>

XP-760 Series

Model	220 to 240 V Model
Rated Frequency Range	50 to 60 Hz
Rated Current	0.35 A

Appendix

Power Consumption (with USB Connection)	Standalone copying: Approx. 20 W (ISO/IEC24712) Ready mode: Approx. 6.6 W Sleep mode: Approx. 1.4 W Power off: Approx. 0.4 W
---	---

Note:

- Check the label on the printer for its voltage.
- For European users, see the following Website for details on power consumption.

<http://www.epson.eu/energy-consumption>

XP-820 Series

Model	100 to 120 V Model	220 to 240 V Model
Rated Frequency Range	50 to 60 Hz	50 to 60 Hz
Rated Current	0.7 A	0.35 A
Power Consumption (with USB Connection)	Standalone copying: Approx. 20 W (ISO/IEC24712) Ready mode: Approx. 6.9 W Sleep mode: Approx. 1.6 W Power off: Approx. 0.2 W	Standalone copying: Approx. 20 W (ISO/IEC24712) Ready mode: Approx. 6.9 W (For XP-821: 7.3 W) Sleep mode: Approx. 1.6 W (For XP-821: 1.8 W) Power off: Approx. 0.4 W

Note:

- Check the label on the printer for its voltage.
- For European users, see the following Website for details on power consumption.

<http://www.epson.eu/energy-consumption>

XP-860 Series

Model	100 to 120 V Model	220 to 240 V Model
Rated Frequency Range	50 to 60 Hz	50 to 60 Hz
Rated Current	0.7 A	0.35 A
Power Consumption (with USB Connection)	Standalone copying: Approx. 21 W (ISO/IEC24712) Ready mode: Approx. 6.9 W Sleep mode: Approx. 1.6 W Power off: Approx. 0.2 W	Standalone copying: Approx. 21 W (ISO/IEC24712) Ready mode: Approx. 6.9 W Sleep mode: Approx. 1.6 W Power off: Approx. 0.4 W

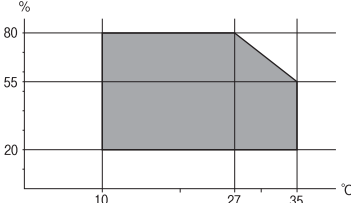
Note:

- Check the label on the printer for its voltage.
- For European users, see the following Website for details on power consumption.

<http://www.epson.eu/energy-consumption>

Appendix

Environmental Specifications

<p>Operation</p>	<p>Use the printer within the range shown in the following graph.</p>  <p>Temperature: 10 to 35°C (50 to 95°F) Humidity: 20 to 80% RH (without condensation)</p>
<p>Storage</p>	<p>Temperature: -20 to 40°C (-4 to 104°F)* Humidity: 5 to 85% RH (without condensation)</p>

* You can store for one month at 40°C (104°F).

Environmental Specifications for Ink Cartridges

<p>Storage Temperature</p>	<p>-20 to 40 °C (-4 to 104 °F)*</p>
<p>Freezing Temperature</p>	<p>-16 °C (3.2 °F) Ink thaws and is usable after approximately 3 hours at 25 °C (77 °F).</p>

* You can store for one month at 40 °C (104 °F).

System Requirements

- Windows 8.1 (32-bit, 64-bit)/Windows 8 (32-bit, 64-bit)/Windows 7 (32-bit, 64-bit)/Windows Vista (32-bit, 64-bit)/Windows XP Professional x64 Edition/Windows XP (32-bit)
- Mac OS X v10.9.x/Mac OS X v10.8.x/Mac OS X v10.7.x/Mac OS X v10.6.8

Note:

- Mac OS X may not support some applications and features.*
- The UNIX File System (UFS) for Mac OS X is not supported.*

Regulatory Information

Standards and Approvals

Standards and Approvals for U.S. Model

<p>Safety</p>	<p>UL60950-1 CAN/CSA-C22.2 No.60950-1</p>
---------------	---

Appendix

EMC	FCC Part 15 Subpart B Class B CAN/CSA-CEI/IEC CISPR 22 Class B
-----	---

This equipment contains the following wireless module.

Manufacturer: Askey Computer Corporation

Type: WLU6320-D69 (RoHS)

This product conforms to Part 15 of the FCC Rules and RSS-210 of the IC Rules. Epson cannot accept responsibility for any failure to satisfy the protection requirements resulting from a non-recommended modification of the product. Operation is subject to the following two conditions: (1) this device may not cause harmful interference, and (2) this device must accept any interference received, including interference that may cause undesired operation of the device.

To prevent radio interference to the licensed service, this device is intended to be operated indoors and away from windows to provide maximum shielding. Equipment (or its transmit antenna) that is installed outdoors is subject to licensing.

Standards and Approvals for European Model

Low voltage directive 2006/95/EC	EN60950-1
EMC directive 2004/108/EC	EN55022 Class B EN61000-3-2 EN61000-3-3 EN55024
R&TTE directive 1999/5/EC	EN300 328 EN301 489-1 EN301 489-17 TBR21* EN60950-1

* Fax-capable printers only.

For European users

We, Seiko Epson Corporation, hereby declare that the following equipment Model is in compliance with the essential requirements and other relevant provisions of Directive 1999/5/EC:

C491J, C492C

For use only in Ireland, UK, Austria, Germany, Liechtenstein, Switzerland, France, Belgium, Luxembourg, Netherlands, Italy, Portugal, Spain, Denmark, Finland, Norway, Sweden, Iceland, Croatia, Cyprus, Greece, Slovenia, Malta, Bulgaria, Czech, Estonia, Hungary, Latvia, Lithuania, Poland, Romania, and Slovakia.

Epson cannot accept responsibility for any failure to satisfy the protection requirements resulting from a non-recommended modification of the products.



Appendix

Standards and Approvals for Australian Model

EMC	AS/NZS CISPR22 Class B
-----	------------------------

Epson hereby declares that the following equipment Models are in compliance with the essential requirements and other relevant provisions of AS/NZS4268:

C491J, C492C

Epson cannot accept responsibility for any failure to satisfy the protection requirements resulting from a non-recommended modification of the products.

Restrictions on Copying

Observe the following restrictions to ensure the responsible and legal use of the printer.

Copying of the following items is prohibited by law:

- Bank bills, coins, government-issued marketable securities, government bond securities, and municipal securities
- Unused postage stamps, pre-stamped postcards, and other official postal items bearing valid postage
- Government-issued revenue stamps, and securities issued according to legal procedure

Exercise caution when copying the following items:

- Private marketable securities (stock certificates, negotiable notes, checks, etc.), monthly passes, concession tickets, etc.
- Passports, driver's licenses, warrants of fitness, road passes, food stamps, tickets, etc.

Note:

Copying these items may also be prohibited by law.

Responsible use of copyrighted materials:

Printers can be misused by improperly copying copyrighted materials. Unless acting on the advice of a knowledgeable attorney, be responsible and respectful by obtaining the permission of the copyright holder before copying published material.

Transporting the Printer

When you need to transport the printer to move or for repairs, follow the steps below to pack the printer.


**Caution:**

Be careful not to trap your hand or fingers when opening or closing the scanner unit. Otherwise you may be injured.

**Important:**

- When storing or transporting the printer, avoid tilting it, placing it vertically, or turning it upside down; otherwise ink may leak.*
- Leave the ink cartridges installed. Removing the cartridges can dry out the print head and may prevent the printer from printing.*

Appendix

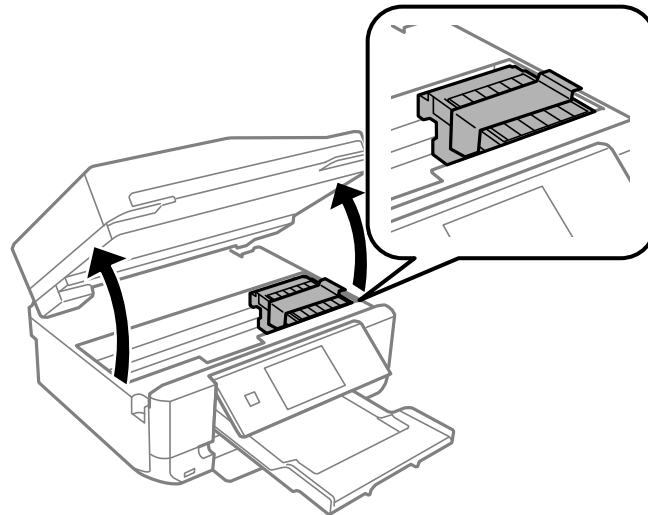
1. Turn off the printer by pressing the  button.
2. Make sure the power light turns off, and then unplug the power cord.



Important:

Unplug the power cord when the power light is off. Otherwise, the print head may not return to the home position causing the ink to dry, and printing may become impossible.

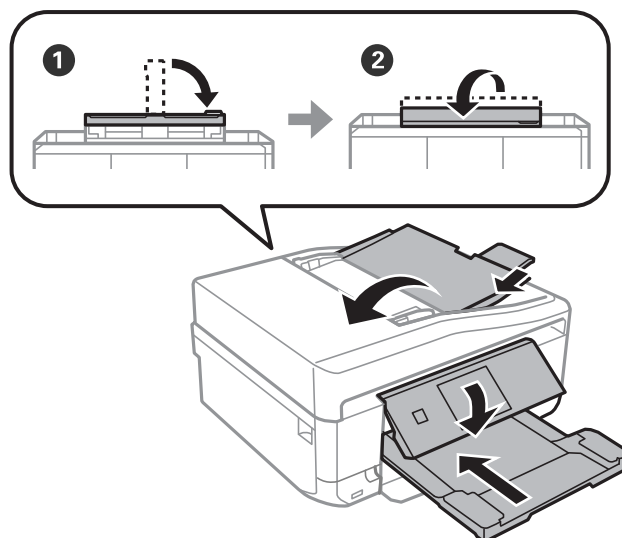
3. Disconnect all cables such as the power cord and USB cable.
4. Make sure there is no memory card inserted.
5. Remove all of the paper from the printer.
6. Make sure there are no originals on the printer.
7. Open the scanner unit with the document cover closed. Secure the ink cartridge holder to the case with tape.



8. Close the scanner unit.

Appendix

9. Prepare to pack the printer as shown below.



10. Pack the printer in its box, using the protective materials.

When you use the printer again, make sure you remove the tape securing the ink cartridge holder. If print quality has declined the next time you print, clean and align the print head.

Related Information

- ➔ [“Part Names and Functions” on page 14](#)
- ➔ [“Checking and Cleaning the Print Head” on page 136](#)
- ➔ [“Aligning the Print Head” on page 138](#)

Accessing a Memory Card From a Computer

You can write or read data on an external storage device such as a memory card that has been inserted in the printer from a computer.

Important:

- Insert a memory card after removing write protection.
- If an image is saved to the memory card from a computer, the image and the number of photos are not refreshed on the LCD screen. Remove and insert the memory card again.
- When sharing an external device inserted in the printer between computers connected over USB and over a network, write access is only allowed to the computers that are connected by the method you selected on the printer. To write to the external storage device, enter **Setup** on the control panel and select **File Sharing Setup** and a connection method. Data can be read by computers connected over USB and over a network.
- To write to the external storage device connected to the computer over a network, enter **Setup** on the control panel and select **File Sharing Setup**, and then give a priority to a network connection.

Note:

It takes a while to recognize data from a computer if a large external storage device, such as 2TB HDD, is connected.

Appendix

Windows

Select an external storage device in **Computer** or **My Computer**. The data on the external storage device is displayed.

Note:

If you connected the printer to the network without the software disc or Web Installer, map a memory card slot or USB port as a network drive. Open **Run** and enter a printer name \\XXXXXX or a printer's IP address \\XXX.XXX.XXX.XXX to **Open**. Right-click a device icon displayed to assign the network. The network drive appears in **Computer** or **My Computer**.

Mac OS X

Select a corresponding device icon. The data on the external storage device is displayed.

Note:

- To remove an external storage device, drag and drop the device icon to the trash icon. Otherwise, data in the shared drive may not be displayed correctly when another external storage device is inserted.
- To access an external storage device through the network, select **Go > Connect to Server** from the menu on the desktop. Enter a printer name `cifs://XXXXXX` or `smb://XXXXXX` (Where "XXXXXX" is the printer name) in the **Server Address**, and then click **Connect**.

Related Information

- ➔ [“Inserting a Memory Card” on page 57](#)
- ➔ [“Setup Mode” on page 32](#)
- ➔ [“Supported Memory Card Specifications” on page 188](#)
- ➔ [“Supported External Storage Device Specifications” on page 189](#)

Where to Get Help

Technical Support Web Site

If you need further help, visit the Epson support website shown below. Select your country or region and go to the support section of your local Epson website. The latest drivers, FAQs, manuals, or other downloadables are also available from the site.

<http://support.epson.net/>

<http://www.epson.eu/Support> (Europe)

If your Epson product is not operating properly and you cannot solve the problem, contact Epson support services for assistance.

Contacting Epson Support

Before Contacting Epson

If your Epson product is not operating properly and you cannot solve the problem using the troubleshooting information in your product manuals, contact Epson support services for assistance. If Epson support for your area is not listed below, contact the dealer where you purchased your product.

Epson support will be able to help you much more quickly if you give them the following information:

Appendix

- Product serial number
(The serial number label is usually on the back of the product.)
- Product model
- Product software version
(Click **About**, **Version Info**, or a similar button in the product software.)
- Brand and model of your computer
- Your computer operating system name and version
- Names and versions of the software applications you normally use with your product

Note:

Depending on the product, the dial list data for fax and/or network settings may be stored in the product's memory. Due to breakdown or repair of a product, data and/or settings may be lost. Epson shall not be responsible for the loss of any data, for backing up or recovering data and/or settings even during a warranty period. We recommend that you make your own backup data or take notes.

Help for Users in Europe

Check your Pan-European Warranty Document for information on how to contact Epson support.

Help for Users in Taiwan

Contacts for information, support, and services are:

World Wide Web

<http://www.epson.com.tw>

Information on product specifications, drivers for download, and products enquiry are available.

Epson HelpDesk

Phone: +886-2-80242008

Our HelpDesk team can help you with the following over the phone:

- Sales enquiries and product information
- Product usage questions or problems
- Enquiries on repair service and warranty

Repair service center:

<http://www.tekcare.com.tw/branchMap.page>

TekCare corporation is an authorized service center for Epson Taiwan Technology & Trading Ltd.

Help for Users in Australia

Epson Australia wishes to provide you with a high level of customer service. In addition to your product manuals, we provide the following sources for obtaining information:

Internet URL

<http://www.epson.com.au>

Appendix

Access the Epson Australia World Wide Web pages. Worth taking your modem here for the occasional surf! The site provides a download area for drivers, Epson contact points, new product information and technical support (e-mail).

Epson Helpdesk

Phone: 1300-361-054

Epson Helpdesk is provided as a final backup to make sure our clients have access to advice. Operators on the Helpdesk can aid you in installing, configuring and operating your Epson product. Our Pre-sales Helpdesk staff can provide literature on new Epson products and advise where the nearest dealer or service agent is located. Many types of queries are answered here.

We encourage you to have all the relevant information on hand when you ring. The more information you prepare, the faster we can help solve the problem. This information includes your Epson product manuals, type of computer, operating system, application programs, and any information you feel is required.

Transportation of Product

Epson recommends retaining product packaging for future transportation.

Help for Users in Hong Kong

To obtain technical support as well as other after-sales services, users are welcome to contact Epson Hong Kong Limited.

Internet Home Page

<http://www.epson.com.hk>

Epson Hong Kong has established a local home page in both Chinese and English on the Internet to provide users with the following information:

- Product information
- Answers to Frequently Asked Questions (FAQs)
- Latest versions of Epson product drivers

Technical Support Hotline

You can also contact our technical staff at the following telephone and fax numbers:

Phone: 852-2827-8911

Fax: 852-2827-4383